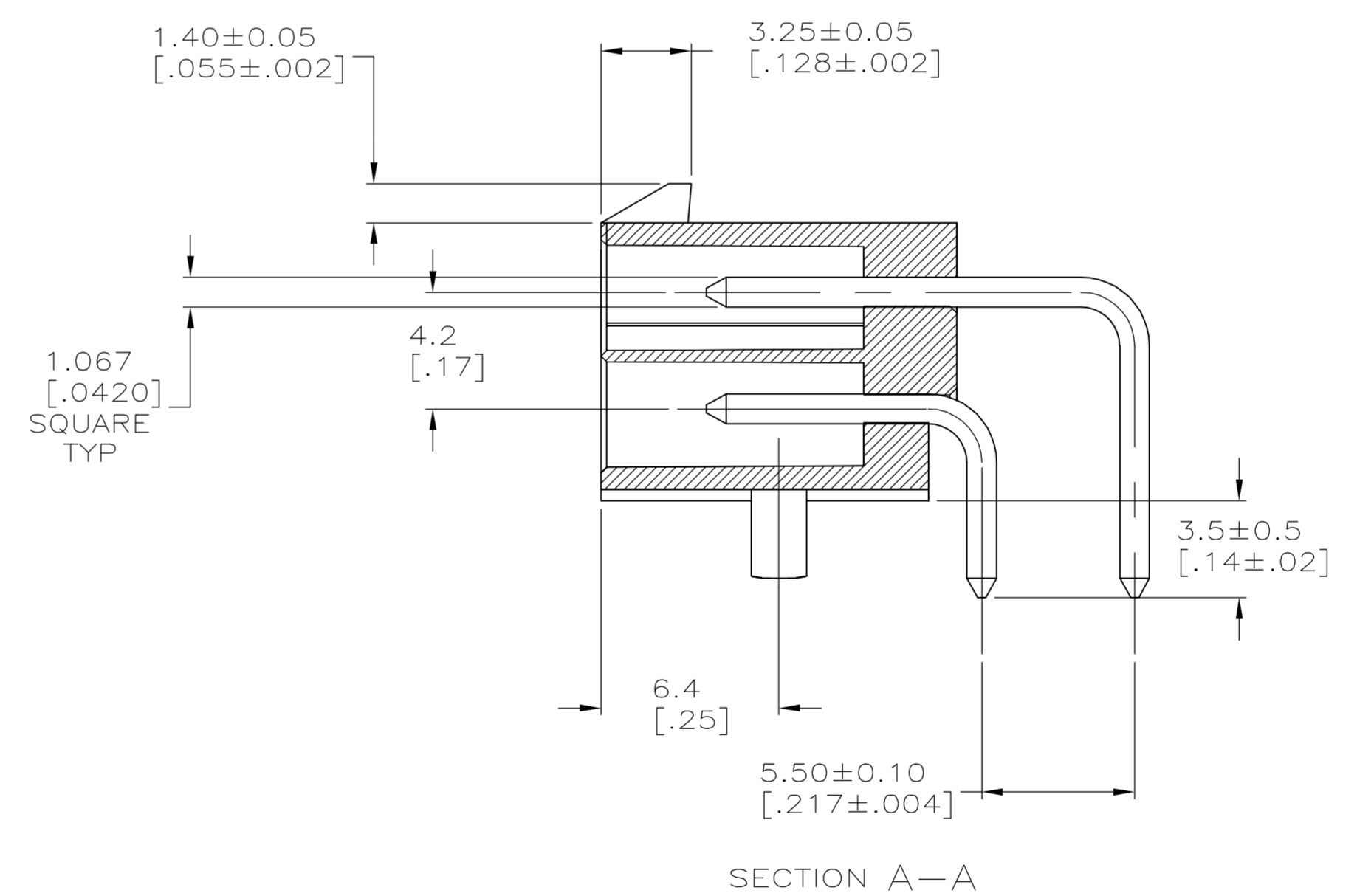
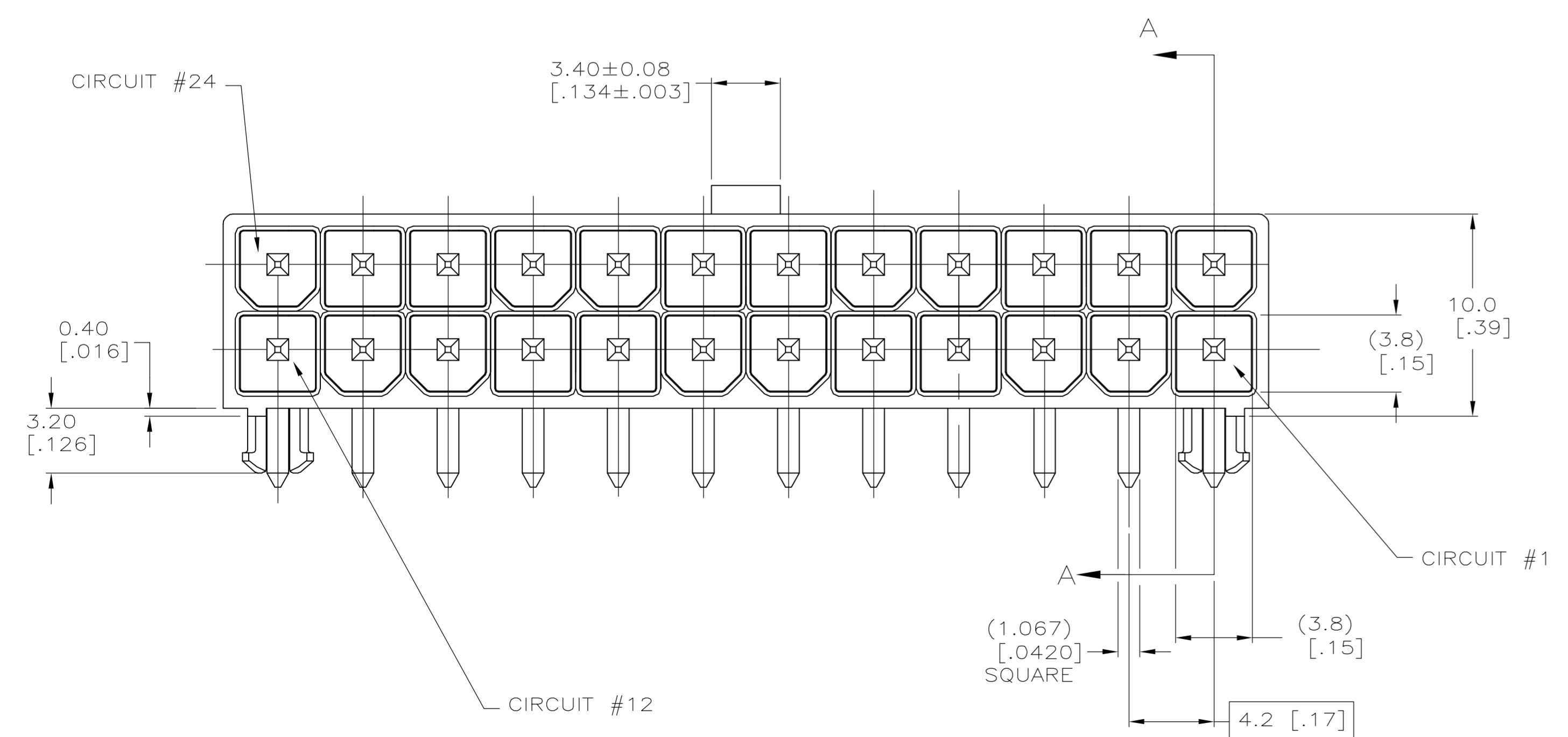
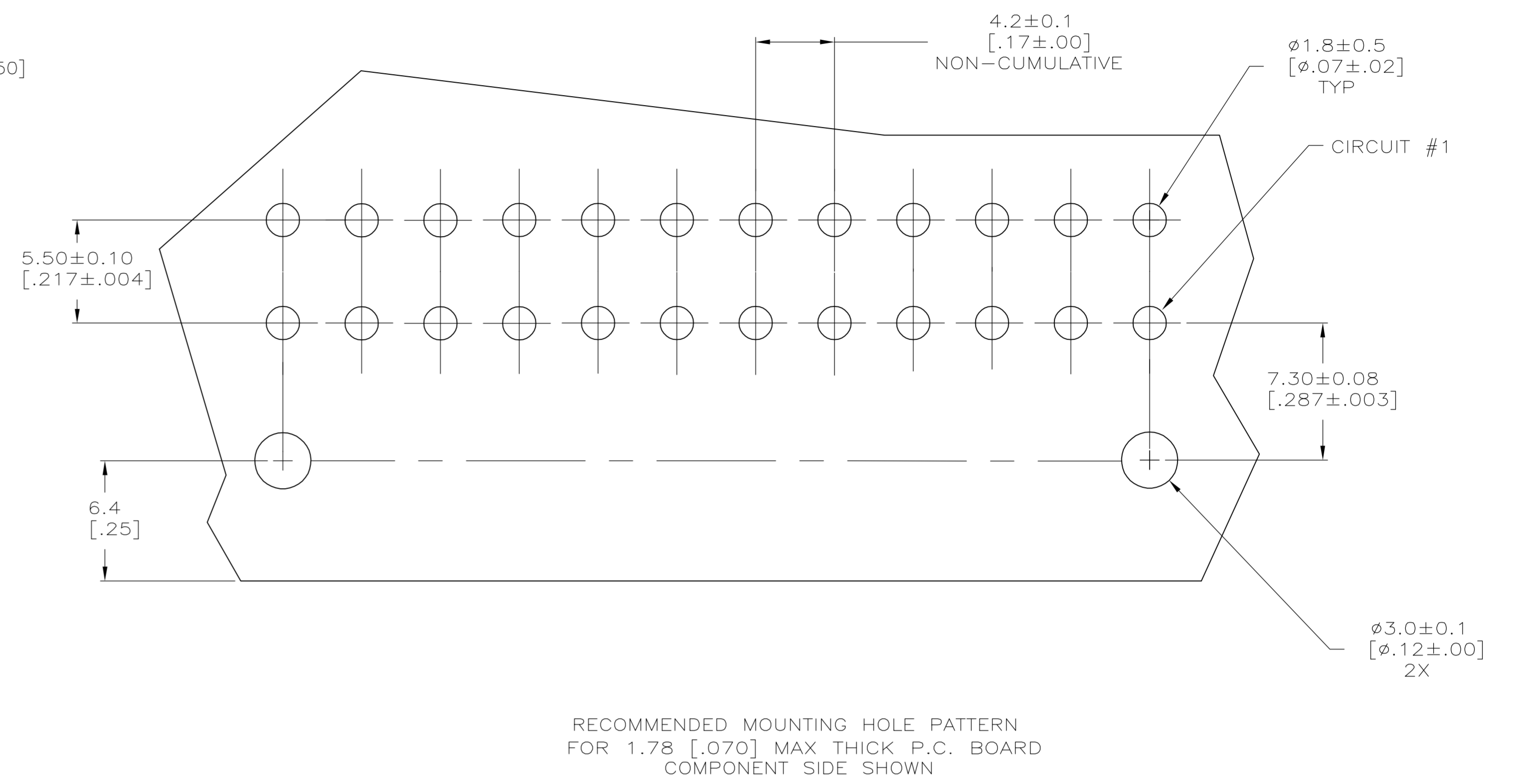
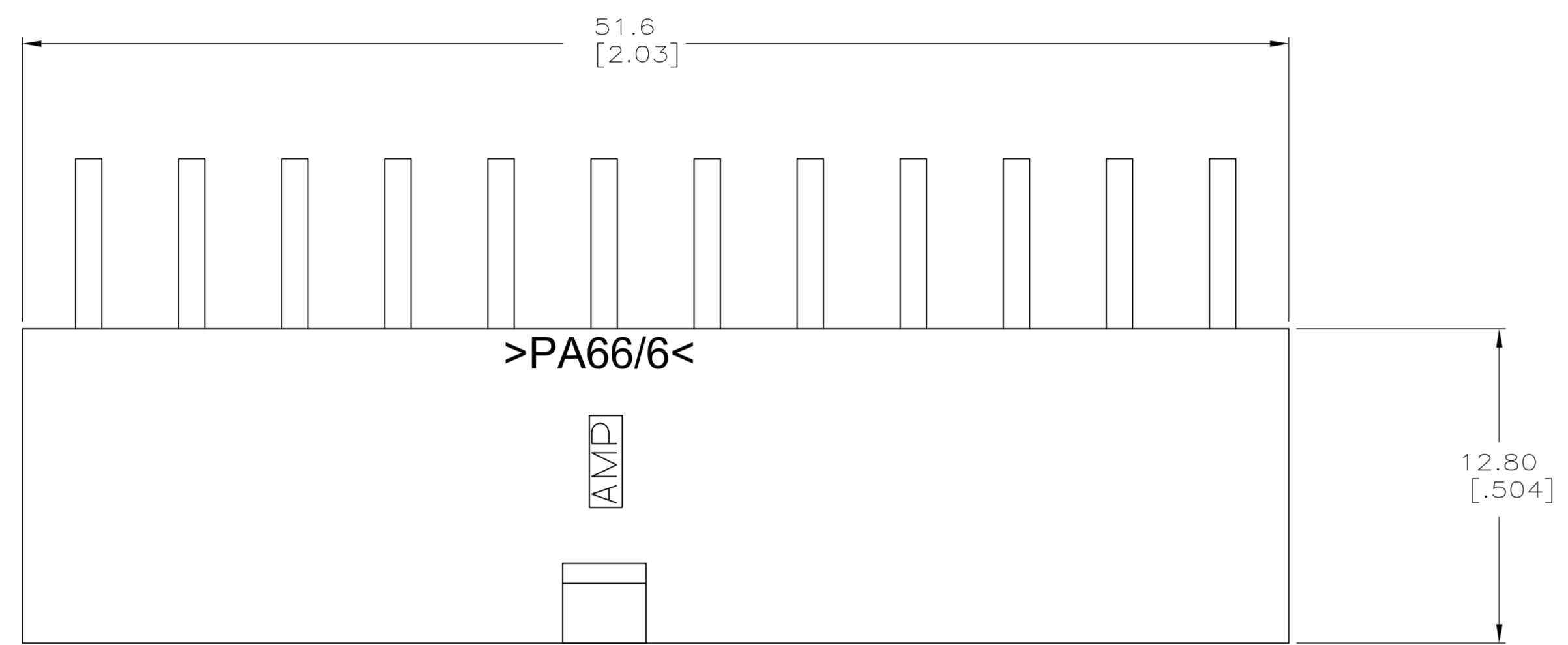


LOC		DIST		REVISIONS			
P	LTR	DESCRIPTION	DATE	DWN	APVD		
D		REVISED PER ECO-06-014772	13NOV06	KW	DC		

- ① MATERIAL: HOUSING - NYLON, UL94V-0 (COLOR - WHITE)
 PIN - 1.067mm² [.0017in²] COPPER ALLOY.
- 2. PINS TO COMPLY WITH SOLDERABILITY SPEC 109-11-3.
- ③ 0.00381 [.000150] MINIMUM TIN LEAD OVER 0.00127 [.000050] MINIMUM NICKEL, ENTIRE LENGTH OF PIN.
- ④ NOTE DELETED.
- ⑤ 0.00381 [.000150] MINIMUM TIN OVER 0.00127 [.000050] MINIMUM NICKEL, ENTIRE LENGTH OF PIN.



SUPERSEDED BY 1-794590-1

①	⑤	①	①	1-794590-1
①	③	①	①	794590-1
MATERIAL		FINISH		ASSEMBLY
PIN		HOUSING		

METRIC

THIS DRAWING IS A CONTROLLED DOCUMENT.

DIMENSIONS:	mm [INCHES]	TOLERANCES UNLESS OTHERWISE SPECIFIED:	0 PLC ± .02 [.01]	1 PLC ± .02 [.01]	2 PLC ± .013 [.005]	3 PLC ± .013 [.005]	4 PLC ± .013 [.005]	ANGLES: ± 30°
MATERIAL	SEE CHART	FINISH	SEE CHART	APVD	D. COLEY	DATE	02-MAR-2005	NAME
CUSTOMER DRAWING			SCALE	5:1	SHEET	1	OF	1

tyco Electronics Corporation Harrisburg, Pa 17105-3608

ASSEMBLY, HEADER, RIGHT ANGLE, 24 POSITION, W/PEGS, 94V-0, AMP-DUAC(TM) POWER CONNECTOR

108-1646 APPLICATION SPEC 114-6067

SIZE CASE CODE DRAWING NO. A1 00779 C=794590

RESTRICTED TO