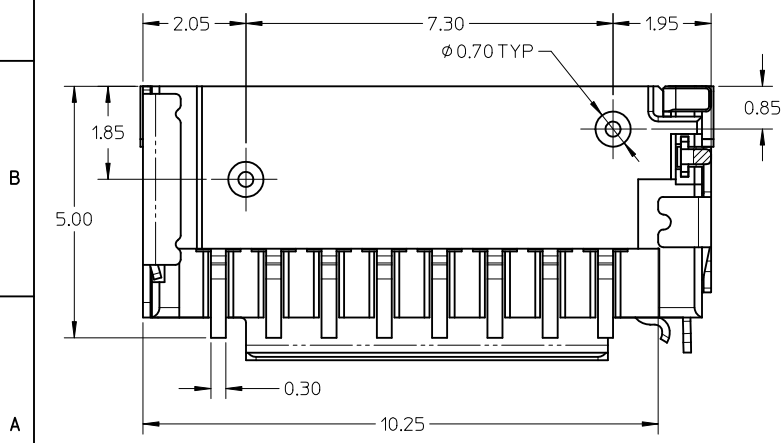
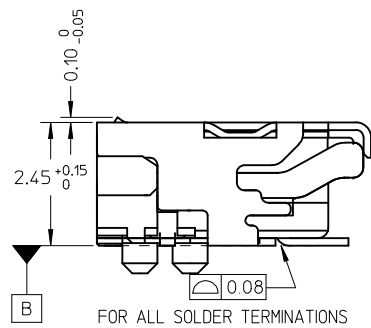
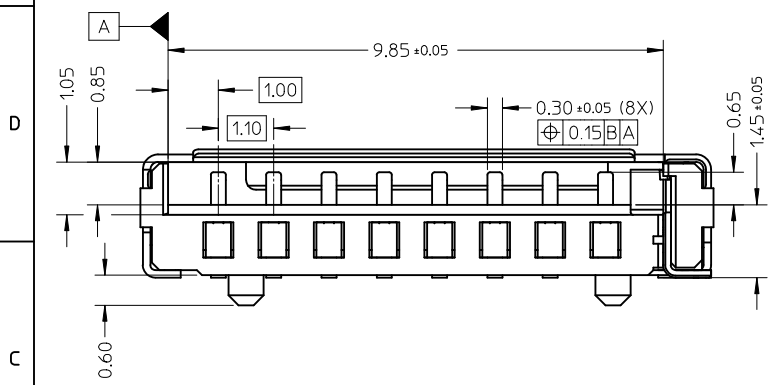


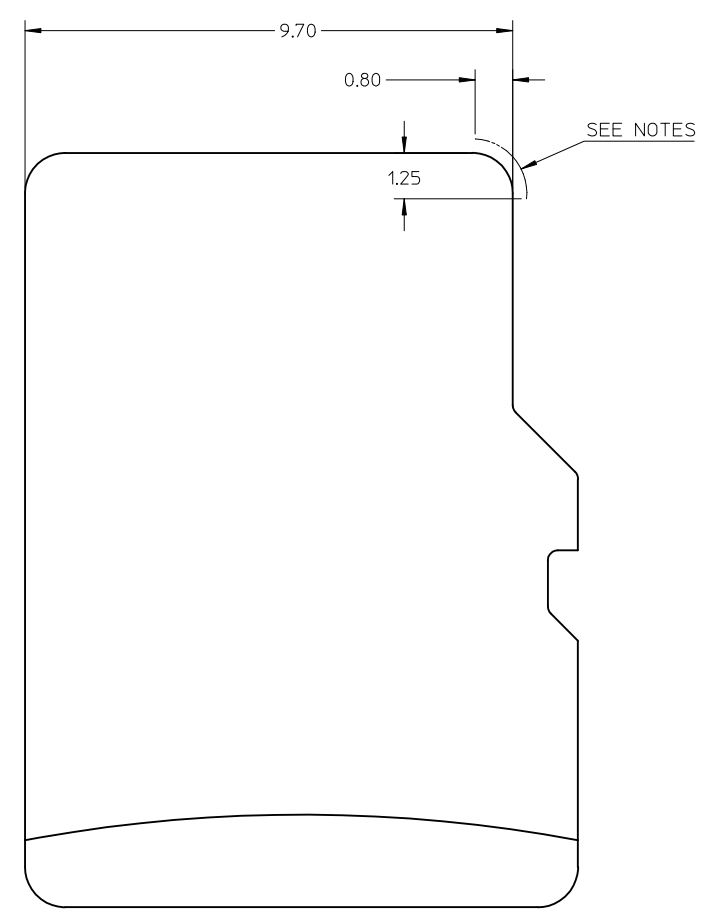
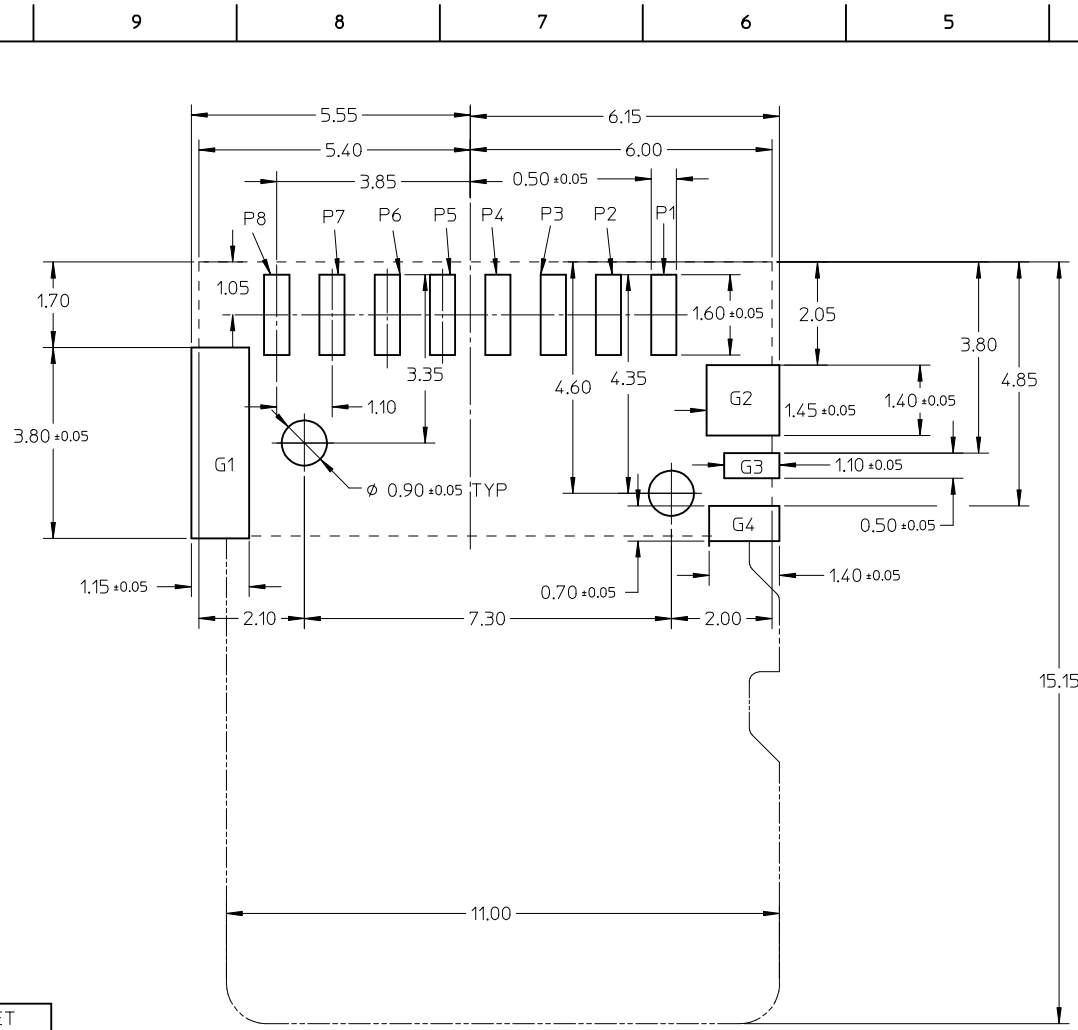
NOTES:

- MATERIAL:
 - 1-1 HOUSING: LCP, 30% G/F, UL 94V-0, BLACK
 - 1-2 SIGNAL TERMINAL AND DETECT TERMINAL: PHOSPHOR BRONZE
 - 1-3 METAL SHELL: STAINLESS STEEL
- FINISH:
 - 2-1 SIGNAL TERMINAL: 1.25 MICRON NICKEL MIN UNDER-PLATED, CONTACT AREA SEE TABLE, GOLD FLASH ON SOLDER AREA.
 - 2-2 METAL SHELL: GOLD FLASH OVER NICKEL ON SOLDER AREA.
 - 2-3 DETECT PIN: 1.25 MICRON NICKEL MIN UNDER-PLATED GOLD FLASH PLATED ON CONTACT AREA, TIN PLATED ON SOLDER AREA.
- PRODUCT SPECIFICATION: PS-47309-001.
- PACKAGE SPECIFICATION: PK-47579-001.
- THE FIRST "X" MEANS THE MANUFACTURE YEAR. THE FOLLOW "XXX" MEANS THE MANUFACTURE DAY. FOR EXAMPLE "2009/01/02" SHOULD BE "9002".
- THE FIRST "XXXX" SHOW THE LAST FOUR NUMBER OF P/N. AND THE LAST "X" MEANS SHIFT IDENTIFY CODE A, B OR C.
- PRODUCT COMPLIANT TO RoHS DIRECTIVE 2002/95/EC AND ELV 2000/53/EC.



47579-0101	0.38 MICRON MIN. GOLD PLATING
47579-0001	0.76 MICRON MIN. GOLD PLATING
47579-3001	0.1 MICRON MIN. GOLD PLATING
P/N	CONTACT AREA PLATING

REVISED EC NO: SH2012-0373 DRWINGLL1 CHKD: APPR:AYIN 2012/05/04 2012/05/10	QUALITY SYMBOLS F=0 F=0 F=0	GENERAL TOLERANCES (UNLESS SPECIFIED)		DIMENSION STYLE MM ONLY		SCALE 1:1	DESIGN UNITS METRIC	THIRD ANGLE PROJECTION		
				DRAWN BY IVAN HE	DATE 2007/08/28	TITLE TFR HEADER W/DETECT PIN				
				CHECKED BY XIXU	DATE 2007/08/28	MOLEX INCORPORATED				
				APPROVED BY XJSONG	DATE 2011/09/13	MATERIAL NO. SEE TABLE		DOCUMENT NO. SD-47579-001	SHEET NO. 1 OF 2	
		DRAFT WHERE APPLICABLE MUST REMAIN WITHIN DIMENSIONS			THIS DRAWING CONTAINS INFORMATION THAT IS PROPRIETARY TO MOLEX INCORPORATED AND SHOULD NOT BE USED WITHOUT WRITTEN PERMISSION					



----- CONNECTOR PROFILE
 _____ CARD PROFILE
 RECOMMEND TOLERANCE: +/-0.08MM.

NOTES:
 NO CONDUCTIVE EXPOSURE TRACE IS ALLOWED ON THE SIDE FACE OF THE CARD AT THIS AREA.

G4	DET
G3	POL
G2	GND
G1	GND
P8	DAT1
P7	DAT0
P6	VSS
P5	CLK
P4	VDD
P3	CMD
P2	CD/DAT3
P1	DAT2
NAME	TYPE
PIN ASSIGNMENT	

SEE SHEET 1	DESCRIPTION
EC NO: SH2012-0373	2012/05/04
DRWNG:GLL1	2012/05/10
CHKD:	
APPR:AYIN	
REV	

QUALITY SYMBOLS
$\nabla_F=0$
$\nabla_E=0$
$\nabla_A=0$

GENERAL TOLERANCES (UNLESS SPECIFIED)
4 PLACES ± --- ± ---
3 PLACES ± --- ± ---
2 PLACES ± 0.15 ± ---
1 PLACE ± 0.25 ± ---
ANGULAR ±1/2°
DRAFT WHERE APPLICABLE MUST REMAIN WITHIN DIMENSIONS

DIMENSION STYLE	SCALE	DESIGN UNITS
MM ONLY	1:1	METRIC
DRAWN BY	DATE	TITLE
IVAN HE	2007/08/28	TFR HEADER W/DETECT PIN
CHECKED BY	DATE	
XIXU	2007/08/28	
APPROVED BY	DATE	
XJSONG	2011/09/13	
MATERIAL NO.		
SEE SHEET 1		

THIRD ANGLE PROJECTION	
MOLEX INCORPORATED	
DOCUMENT NO. SD-47579-001	SHEET NO. 2 OF 2
THIS DRAWING CONTAINS INFORMATION THAT IS PROPRIETARY TO MOLEX INCORPORATED AND SHOULD NOT BE USED WITHOUT WRITTEN PERMISSION	