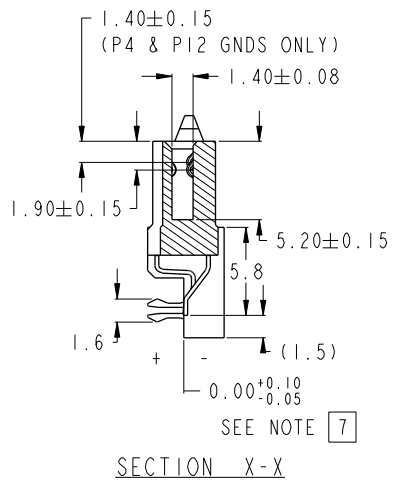
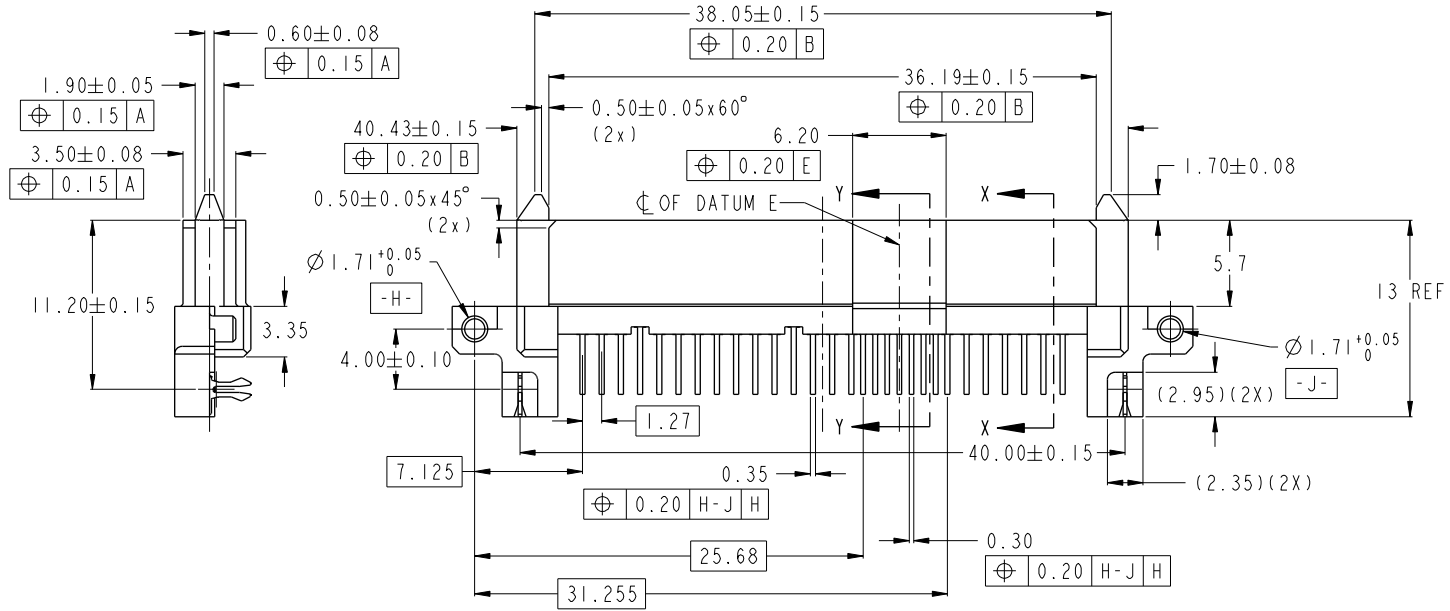
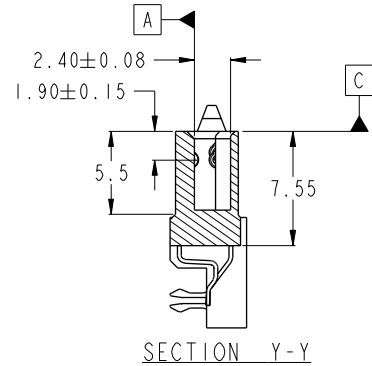
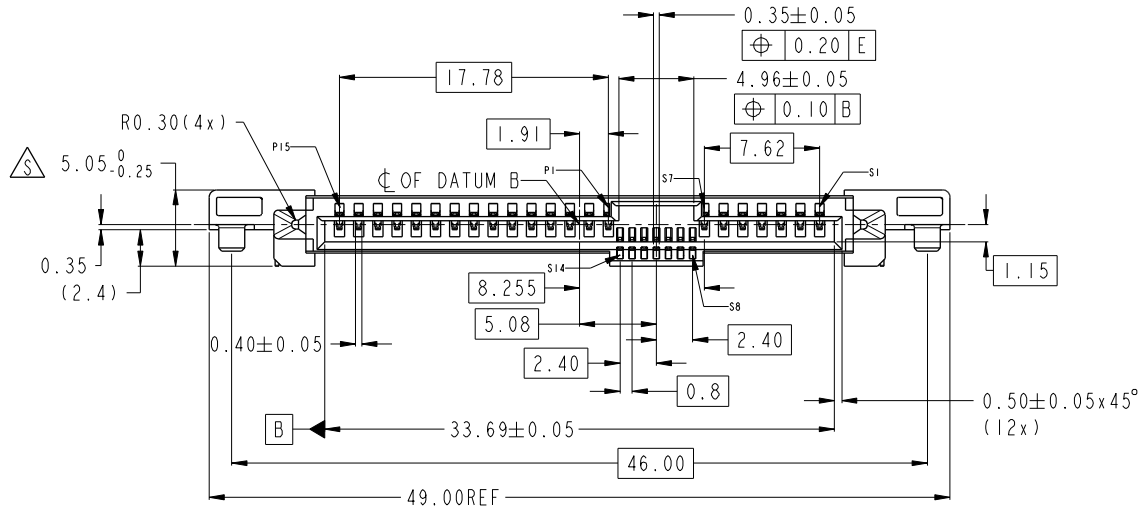


PRODUCT NO.
SEE TABLE



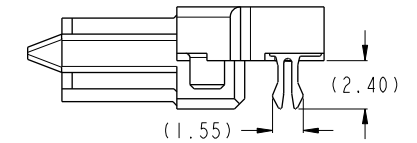
Copyright FCI.

| | | | | | | | | | |
|---------------------------------------|---------|-----------|------------|------------|-------------|-----------------------|------------------------|--------------|----------|
| spec ref | dr | JOYCE PEH | 2004-08-23 | projection | MM | size | A3 | scale | 1:1 |
| tolerance std | eng | KP TAY | 2013-07-01 | | | ecn no | ELX-S-15099-1 | rel level | RELEASED |
| ASME Y14.5 | chr | KP TAY | 2013-07-01 | | | | | | |
| TOLERANCES UNLESS OTHERWISE SPECIFIED | | appr | CH TAN | 2013-07-01 | title | | SAS RECEPTACLE | | rev |
| surface | linear | 0.X | | ±0.2 | | cat. no. | Product - Customer Drw | sheet 1 of 4 | S |
| | | 0.XX | | ±0.2 | | | | | |
| | | 0.XXX | | ± | | title R/A SMT ASSY | drg no 10035202 | | |
| | angular | 0° | | ±° | www.fci.com | | | | |

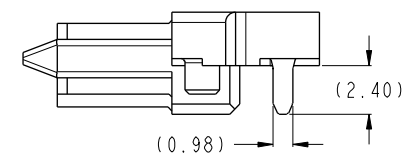
| PRODUCT NO. | PIN S1-S7 & PI-PI5 | PIN S8-S14 | HOLD DOWN | PICK-UP TAPE | PACKAGING |
|--------------------|--------------------|------------|------------|--------------|-------------|
| 10035202-001LF | YES | YES | METAL CLIP | NO | TRAY |
| 10035202-001TRLF | | | | | TAPE & REEL |
| 10035202-002LF | YES | YES | BLADE | NO | TRAY |
| 10035202-002TRLF | | | | | TAPE & REEL |
| 10035202-002C-TRLF | | | | | TAPE & REEL |
| 10035202-011LF | YES | NO | METAL CLIP | NO | TRAY |
| 10035202-003LF | YES | YES | METAL CLIP | NO | TRAY |
| 10035202-003TRLF | | | | | TAPE & REEL |



10035202-001LF
10035202-001TRLF
10035202-011LF

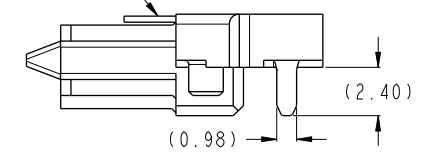


10035202-002LF
10035202-002TRLF

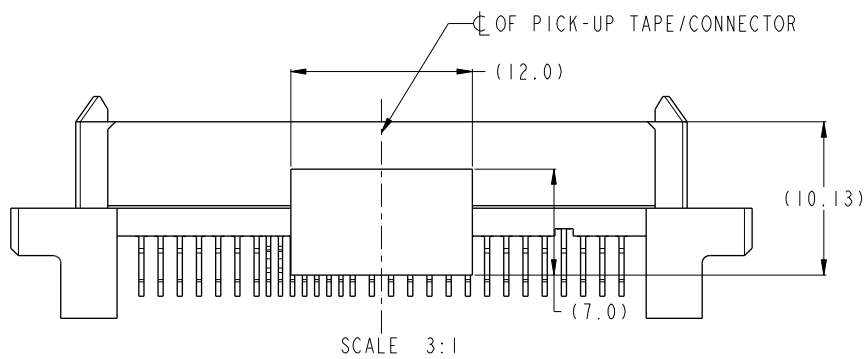
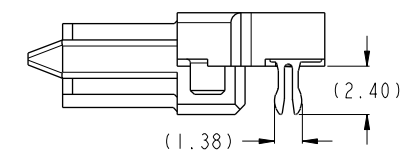


PICK-UP CAP
(KAPTON TAPE)

10035202-002C-TRLF



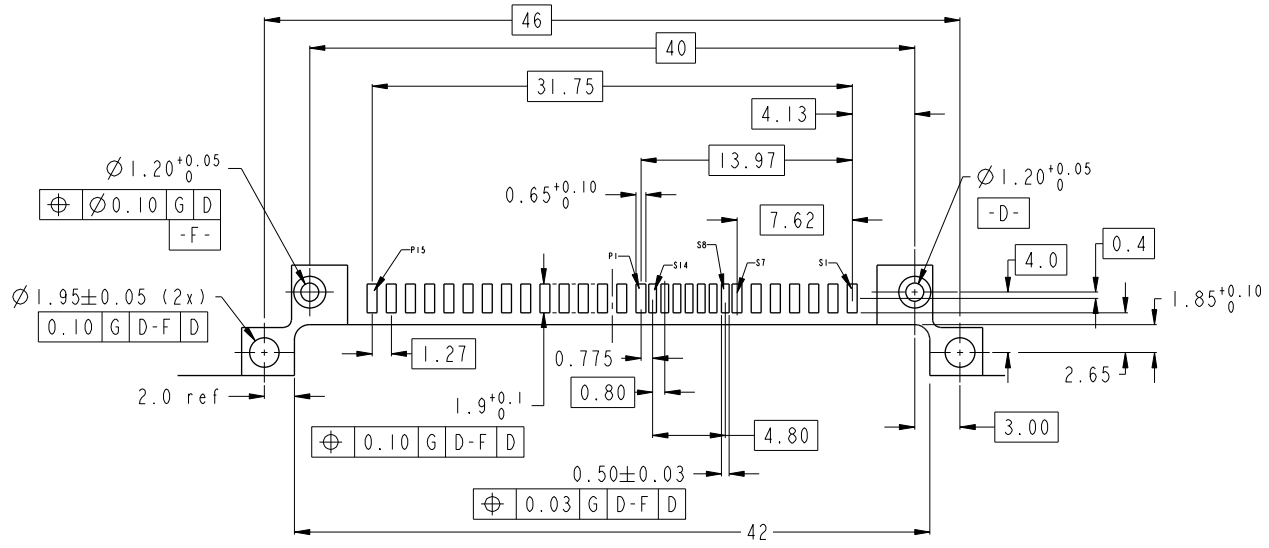
10035202-003LF
10035202-003TRLF



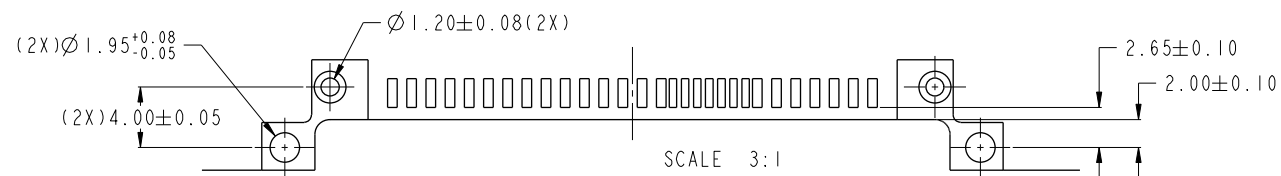
| | | | | | | | | | |
|---------------------------------------|---------|-----------|------------|------------|---|--------------------|---------------|------------------------|--------------|
| spec ref | dr | JOYCE PEH | 2004-08-23 | projection | MM | size | A3 | scale | 1:1 |
| tolerance std | eng | KP TAY | 2013-07-01 | | | ecn no | ELX-S-15099-1 | rel level | RELEASED |
| ASME Y14.5 | chr | KP TAY | 2013-07-01 | | | | | | |
| TOLERANCES UNLESS OTHERWISE SPECIFIED | | | | | | | | | |
| surface | linear | 0.X | ±0.2 | | title SAS RECEPTACLE R/A SMT ASSY | dwg no 10035202 | rev S | Product - Customer Drw | |
| | | 0.XX | ±0.2 | | | | | cat. no. | sheet 2 of 4 |
| | angular | 0° | ±° | | | | | | |



Copyright FCI.



RECOMMENDED PCB LAYOUT
 RECOMMENDED PCB THICKNESS: 1.6mm
 TOLERANCE UNLESS OTHERWISE: ±0.1

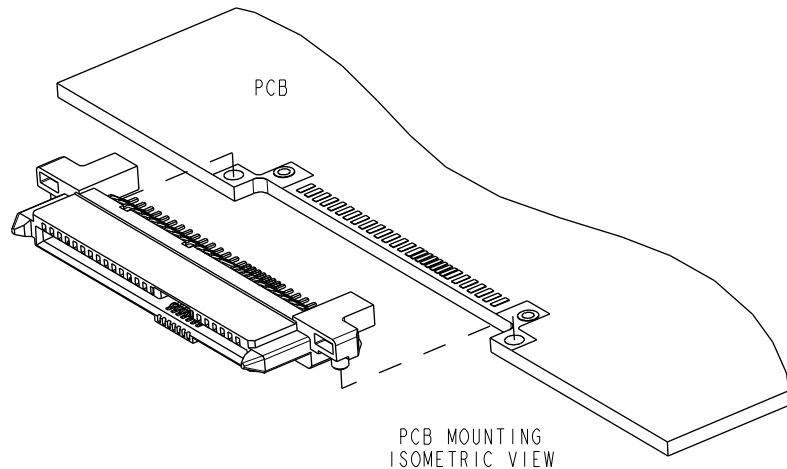


ALTERNATIVE PCB LAYOUT
 (FOR -002LF/TRLF, 002C-TRLF)
 REFER TO RECOMMENDED PCB LAYOUT
 FOR UNSPECIFIED DIMENSIONS

| | | | | | | | | | |
|---------------|---------|-----------|------------|----------------|----|--------------|----------------|-----------|------------------------|
| spec ref | dr | JOYCE PEH | 2004-08-23 | projection | MM | size | A3 | scale | 1:1 |
| tolerance std | eng | KP TAY | 2013-07-01 | | | ecn no | ELX-S-15099-1 | rel level | RELEASED |
| ASME Y14.5 | chr | KP TAY | 2013-07-01 | | | | | | |
| | appr | CH TAN | 2013-07-01 | | | | | | |
| surface | linear | 0.X | ±0.2 | product family | | title | SAS RECEPTACLE | cat. no. | Product - Customer Drw |
| | | 0.XX | ±0.2 | R/A SMT ASSY | | dwg no | 10035202 | rev | S |
| | angular | 0° | ±° | www.fci.com | | sheet 3 of 4 | | | |



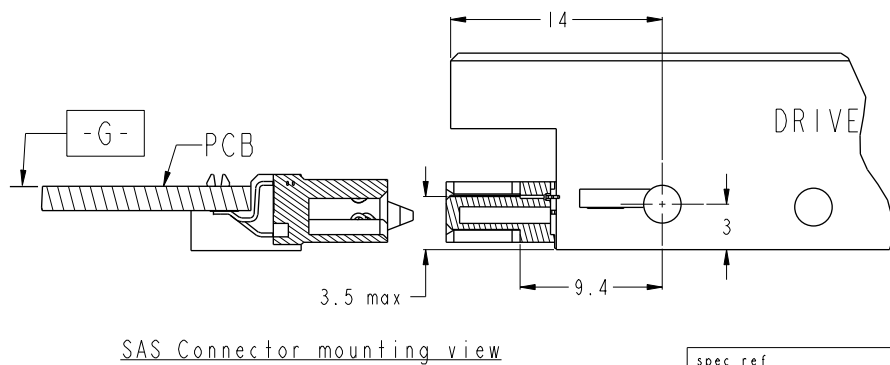
Copyright FCI.



PCB MOUNTING
ISOMETRIC VIEW

NOTES: -

1. MATERIAL:
 - 1) HOUSING: HIGH TEMP. THERMOPLASTIC, UL 94V-0
COLOR: BLACK.
 - 2) TERMINAL: COPPER ALLOY.
 - 3) HOLD DOWN: COPPER ALLOY.
2. FINISH:
 - 1) TERMINAL: 30u" PLATING (CONTACT POINT) OVER 50u" MIN NICKEL.
 - 2) SOLDER TAIL: 100u" MIN TIN OVER 50u" MIN NICKEL.
 - 3) HOLD DOWN: 100u" MIN OVER 50u" MIN NICKEL.
3. THE STD. PACK IS IN TRAY.
4. THE HOUSING WILL WITHSTAND EXPOSURE TO 260°C PEAK TEMPERATURE FOR 10 SECONDS IN A CONVECTION, INFRA-RED OR VAPOR PHASE REFLOW OVEN.
5. THIS PRODUCT MEETS EUROPEAN UNION DIRECTIVES AND OTHER COUNTRY REGULATIONS AS DESCRIBE IN GS-22-008.
6. PART NUMBERS ENDING IN "LF" MEANT FOR NOTE 5 LEAD FREE IDENTIFICATION. P/N XXXXXXX-XXXLF IS EQUIVALENT TO PREVIOUS P/N XXXXXXX-XXX.
- 7 ALL SOLDER TAIL MUST BE WITHIN 0.12MM, MAX COPLANARITY.
- 8 THIS IS VACUUM NOZZLE PICK-UP AREA.
9. A \triangle SYMBOL BE NEXT TO ANY DIMENSION, VIEW, OR NOTE WHICH HAS BEEN MODIFIED WITH THE CURRENT DRAWING REVISION.



SAS Connector mounting view

| | | | | | | | | | |
|---|-----|-----------|------------|------------|---|---------------------|---------------|--------------|------------------------|
| spec ref | dr | JOYCE PEH | 2004-08-23 | projection | MM | size | A3 | scale | 1:1 |
| tolerance std | eng | KP TAY | 2013-07-01 | | | ecn no | ELX-S-15099-1 | rel level | RELEASED |
| ASME Y14.5 | chr | KP TAY | 2013-07-01 | | | | | | |
| surface \checkmark linear angular | | 0.X | ± 0.2 | | title SAS RECEPTACLE R/A SMT ASSY | drwg no 10035202 | rev S | www.fci.com | |
| | | 0.XX | ± 0.2 | | | | | cat. no. | Product - Customer Drw |
| | | 0.XXX | \pm | | | | | sheet 4 of 4 | |
| | | 0° | \pm | | | | | | |



Copyright FCI.