

4

3

2

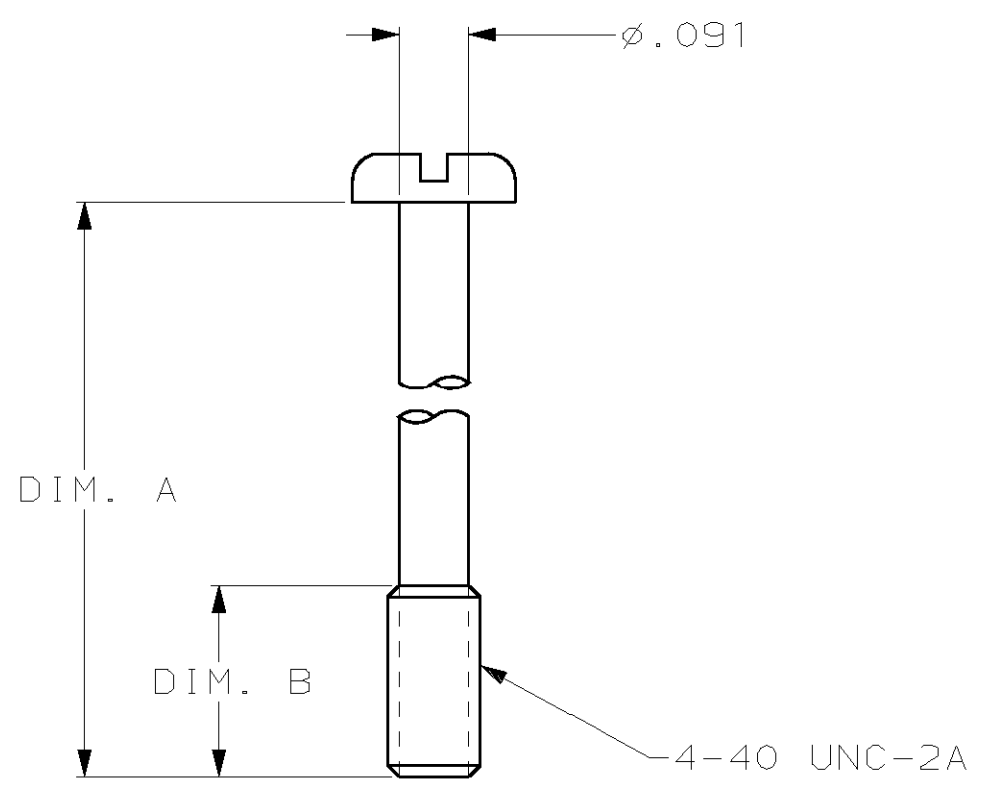
1

THIS DRAWING IS UNPUBLISHED. RELEASED FOR PUBLICATION, 19 .

© COPYRIGHT 19 BY AMP INCORPORATED. ALL RIGHTS RESERVED.

LOC	DIST	REVISIONS			
P	LTR	DESCRIPTION	DATE	DWN	APVD
AA	20	H	REVISED; EC OUF0-0046-01	11MAY01	DLD EWB

- 1. MATERIAL: ZINC PLATED STEEL.
- 2. ALL DIMENSIONS SHOWN ARE FOR REFERENCE ONLY UNLESS OTHERWISE SPECIFIED.



.100	.265	229996-4
.100	.350	229996-3
.100	.425	229996-2
DIM. B	DIM. A	PART NUMBER

THIS DRAWING IS A CONTROLLED DOCUMENT.		DWN A. HOLT 01JUN78	AMP Incorporated Harrisburg, PA 17105-3608		
DIMENSIONS: INCHES		CHK R.E. REICH 01JUN78			
TOLERANCES UNLESS OTHERWISE SPECIFIED:		APVD S. HEGE 02JUN78	NAME SCREW, PAN HEAD, CAPTIVE		
0 PLC ±- 1 PLC ±- 2 PLC ±- 3 PLC ±- 4 PLC ±- ANGLES ±-		PRODUCT SPEC -	RESTRICTED TO -		
MATERIAL 1		APPLICATION SPEC -	SIZE A3	CAGE CODE 00779	DRAWING NO C- 229996
FINISH -		WEIGHT -	SCALE 4:1		SHEET 1 OF 1
CUSTOMER DRAWING			REV H		