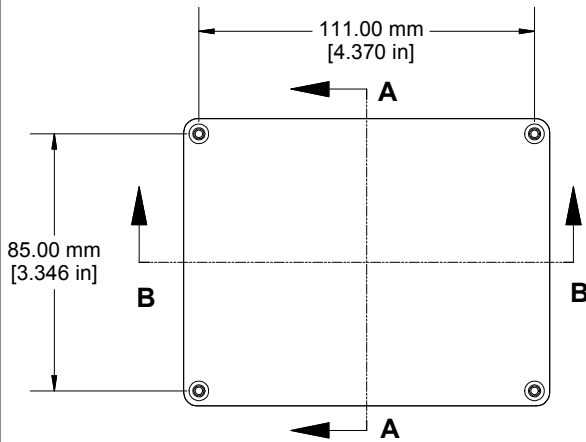
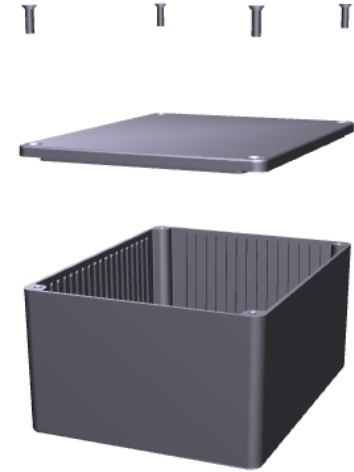
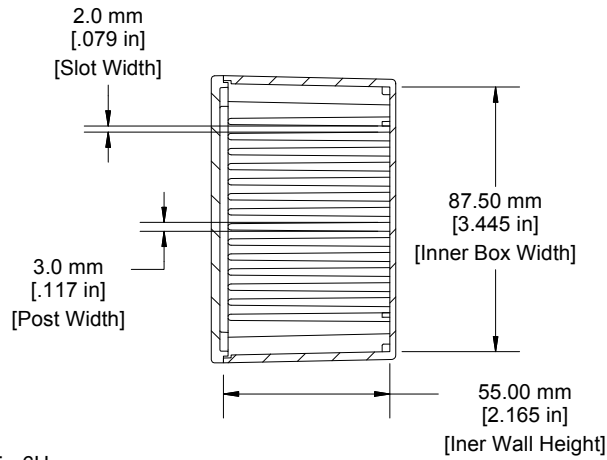


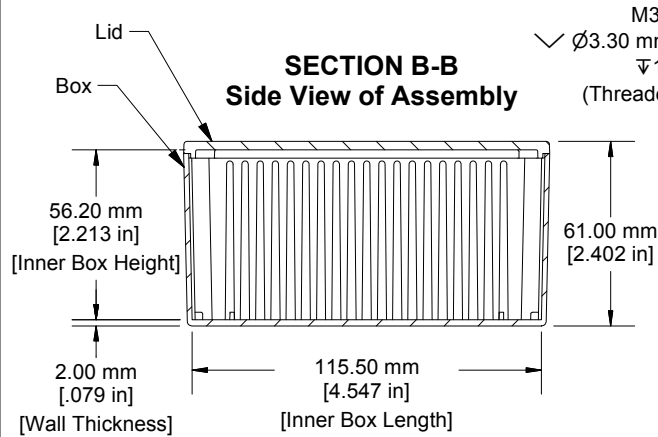
Top View of Assembly



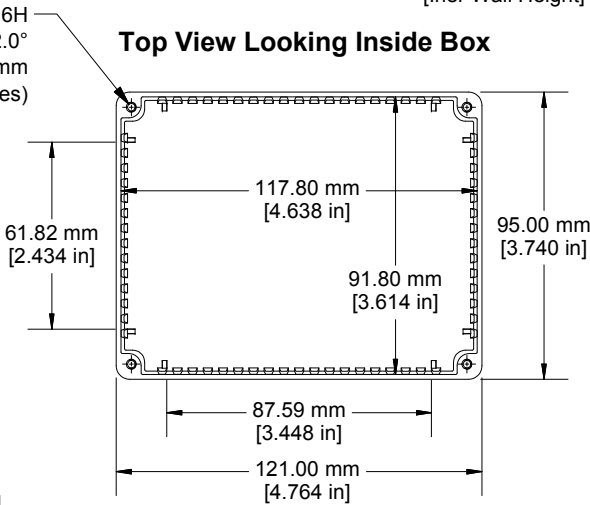
**SECTION A-A
End View of Assembly**



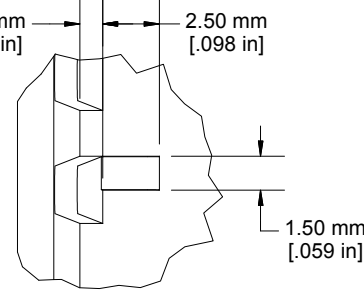
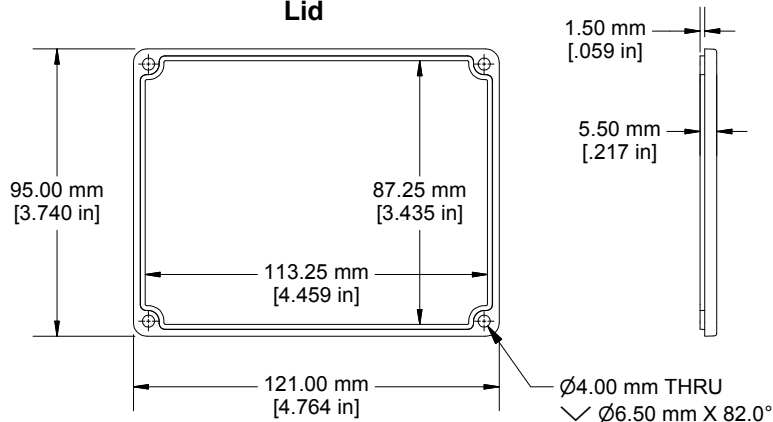
**SECTION B-B
Side View of Assembly**



Top View Looking Inside Box



Lid



**DETAIL C
SCALE 3 : 1
Interior Features**

Enclosures can be Factory Modified (Milling, Drilling, Printing etc.)
Contact Factory mjm@hammondmfg.com for quotes
Solid models of this enclosure available in STEP or IGES.

NOTE	
Purchased assembly includes box, lid and 4 cover screws. Box and lid are made from Diecast Aluminum Alloy (alloy type 380).	
PART NUMBERS	
1590PP Enclosure	
Unfinished	1590PP
Black Textured Polyester Powder Paint - RAL 9011	1590PPBK
ACCESSORIES	
Recommended Torque: 75 ozf.in / 55 cN.m	
Unfinished Cover Screws (Pkg 100) [M3 - 0.5 x 10mm Nickel Plated Screws]	1591MS100
Black Textured Cover Screws (Pkg 100) [M3 - 0.5 x 10mm Nickel Plated Screws]	1591MS100BK



**HAMMOND
MANUFACTURING™
1590PP**

www.hammondmfg.com