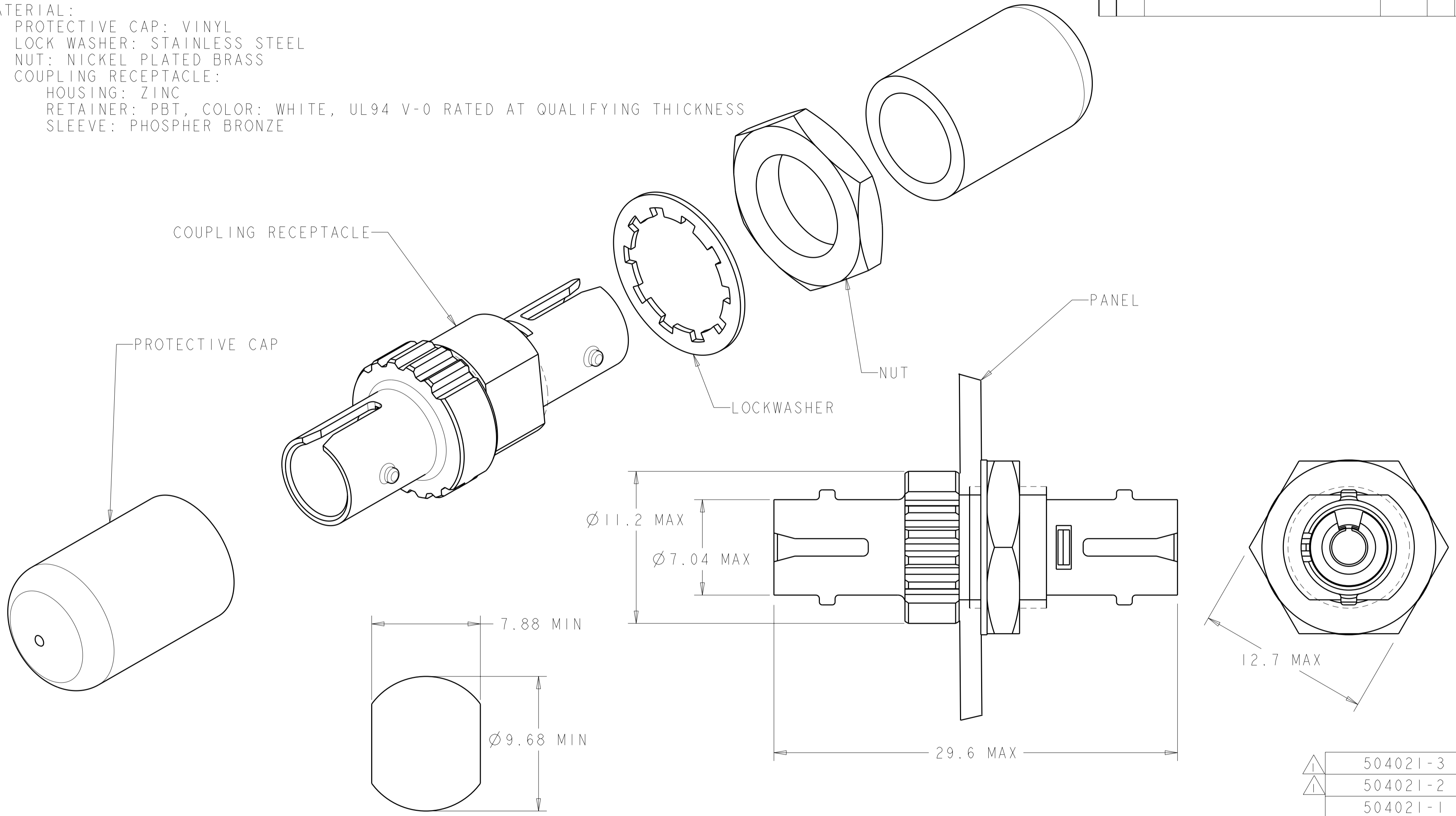


THIS DRAWING IS UNPUBLISHED. RELEASED FOR PUBLICATION 20
 © COPYRIGHT 20 BY - ALL RIGHTS RESERVED.

LOC	DIST	REVISIONS					
CE	00	P	LTR	DESCRIPTION	DATE	DWN	APVD
			LI	REVISED PER ECO-11-005027	14MAR2011	RK	HMR

1 BULK PACKAGED.

2 MATERIAL:
 PROTECTIVE CAP: VINYL
 LOCK WASHER: STAINLESS STEEL
 NUT: NICKEL PLATED BRASS
 COUPLING RECEPTACLE:
 HOUSING: ZINC
 RETAINER: PBT, COLOR: WHITE, UL94 V-0 RATED AT QUALIFYING THICKNESS
 SLEEVE: PHOSPHER BRONZE



1	504021-3
1	504021-2
	504021-1
	PART NUMBER

SUGGESTED PANEL CUTOUT

THIS DRAWING IS A CONTROLLED DOCUMENT.		DWN B. BRIGGS 11MAY2005	STE TE Connectivity		
DIMENSIONS: mm		CHK S. BUCHTER 11MAY2005			
TOLERANCES UNLESS OTHERWISE SPECIFIED:		APVD S. BUCHTER 11MAY2005	NAME KIT, COUPLING RECEPTACLE, 2.5mm BAYONET, MM/SM		
0 PLC ± 1 PLC ± 2 PLC ± 3 PLC ± 4 PLC ± ANGLES ± FINISH		PRODUCT SPEC - APPLICATION SPEC - WEIGHT -	SIZE A200779	DRAWING NO C-504021	RESTRICTED TO -
MATERIAL 2 -		CUSTOMER DRAWING	SCALE 5:1	SHEET 1	OF 1