

DETAILS

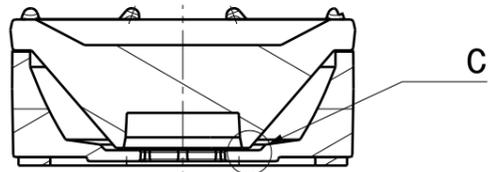
Product Number	CA13043_TINA3-W
Family	Tina
Type	Assembly
Color	white
Diameter	16,1 mm
Height	7,29 mm
Style	round
Optic Material	PMMA
Holder Material	
Fastening	tape
Status	production ready
ROHS Compliant	Yes
Date Updated	11/11/2016



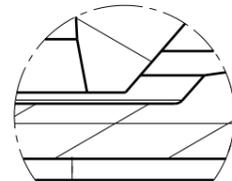
OPTICAL PROPERTIES

LED	Viewing Angle	Light Beam	Efficiency	cd/lm	Connector
XP-G	38 deg	Wide	93 %	1.700	-
XT-E	36 deg	Wide	93 %	2.000	-
XP-E	32 deg	Wide	93 %	2.000	-
XP-G2	43 deg	Wide	91 %	1.700	-
XP-L HI	42 deg	Wide	90 %	1.500	-

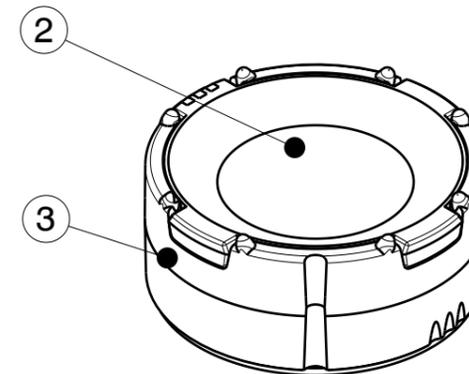
INDEX	PART NO	DESCRIPTION	MATERIAL
1	C11840	TINA-TAPE3	PU 2-sided foam tape, adhesive
2	C12904	TINA3-HLD-TAPE	PC, white
3	F11872	TINA3-S	PMMA



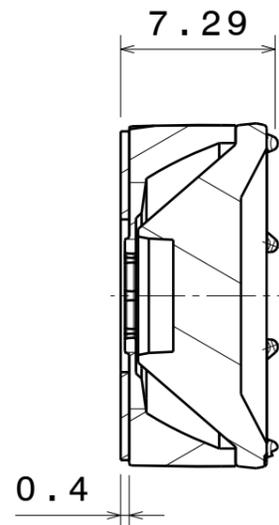
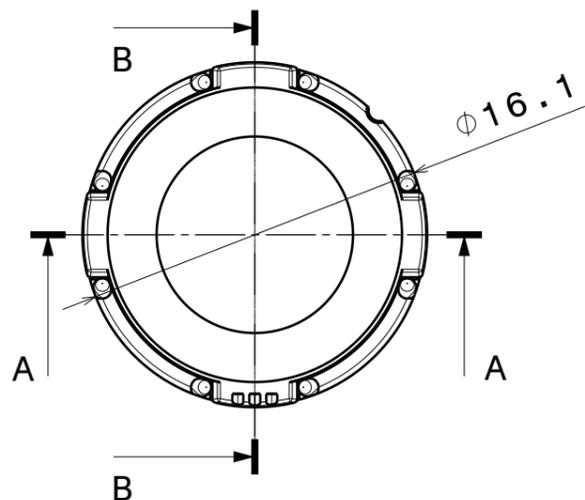
Section view A-A
Scale: 3:1



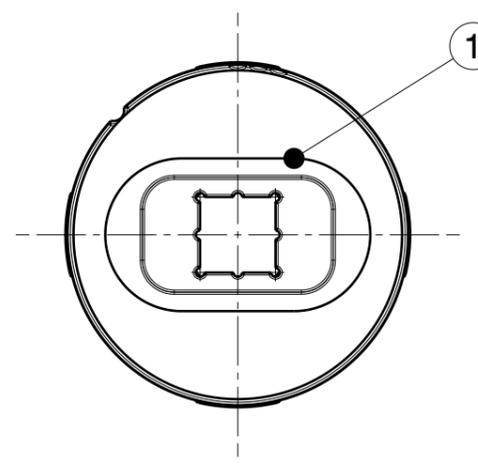
Detail C



Isometric view
Scale: 3:1



Section view B-B
Scale: 3:1



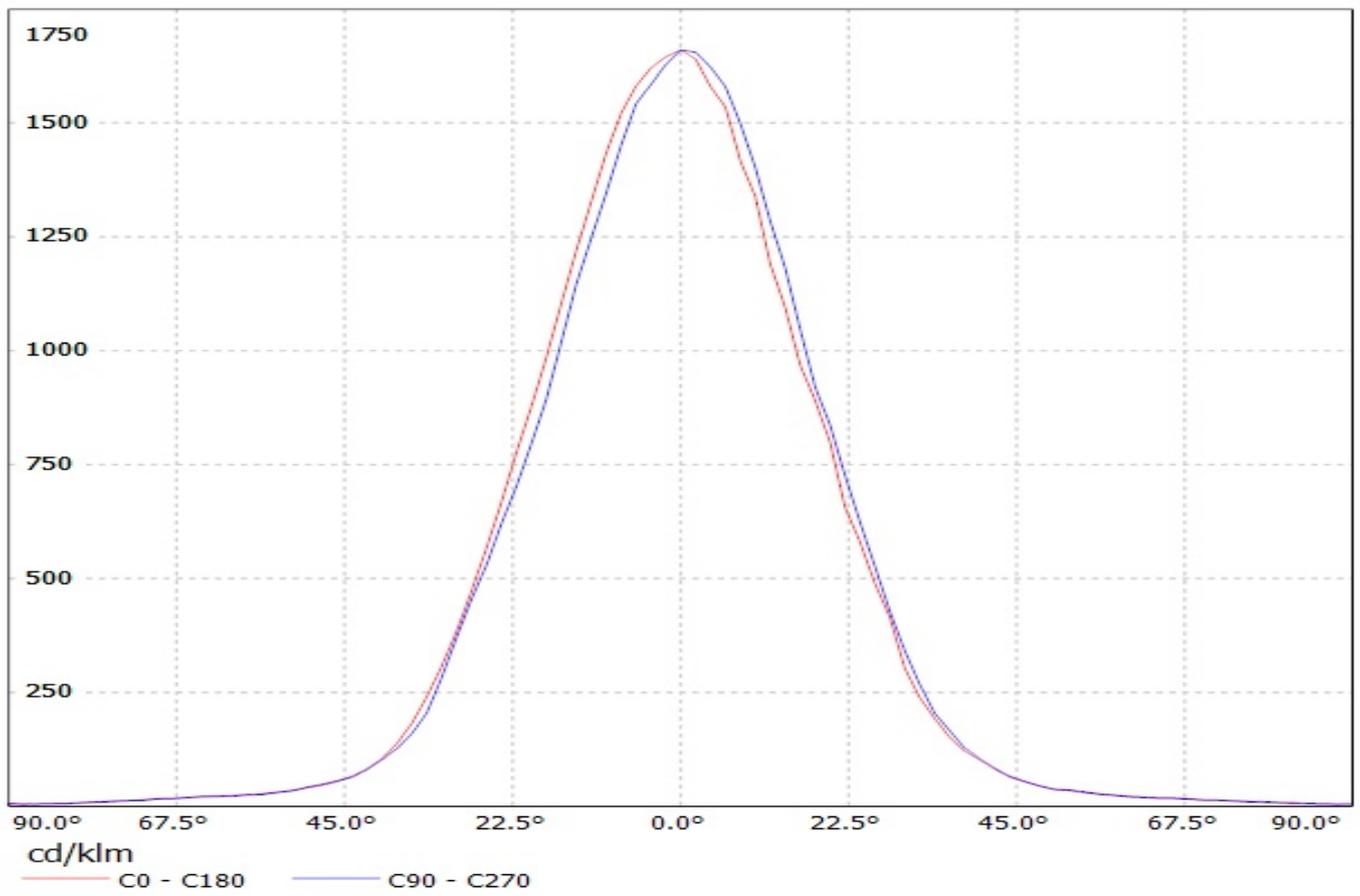
Tolerances if not otherwise shown:
According to DIN ISO 2768-1
Linear measures:
Up to 30mm class M, otherwise class C.

According to DIN ISO 2768-2
Form and position:
class L

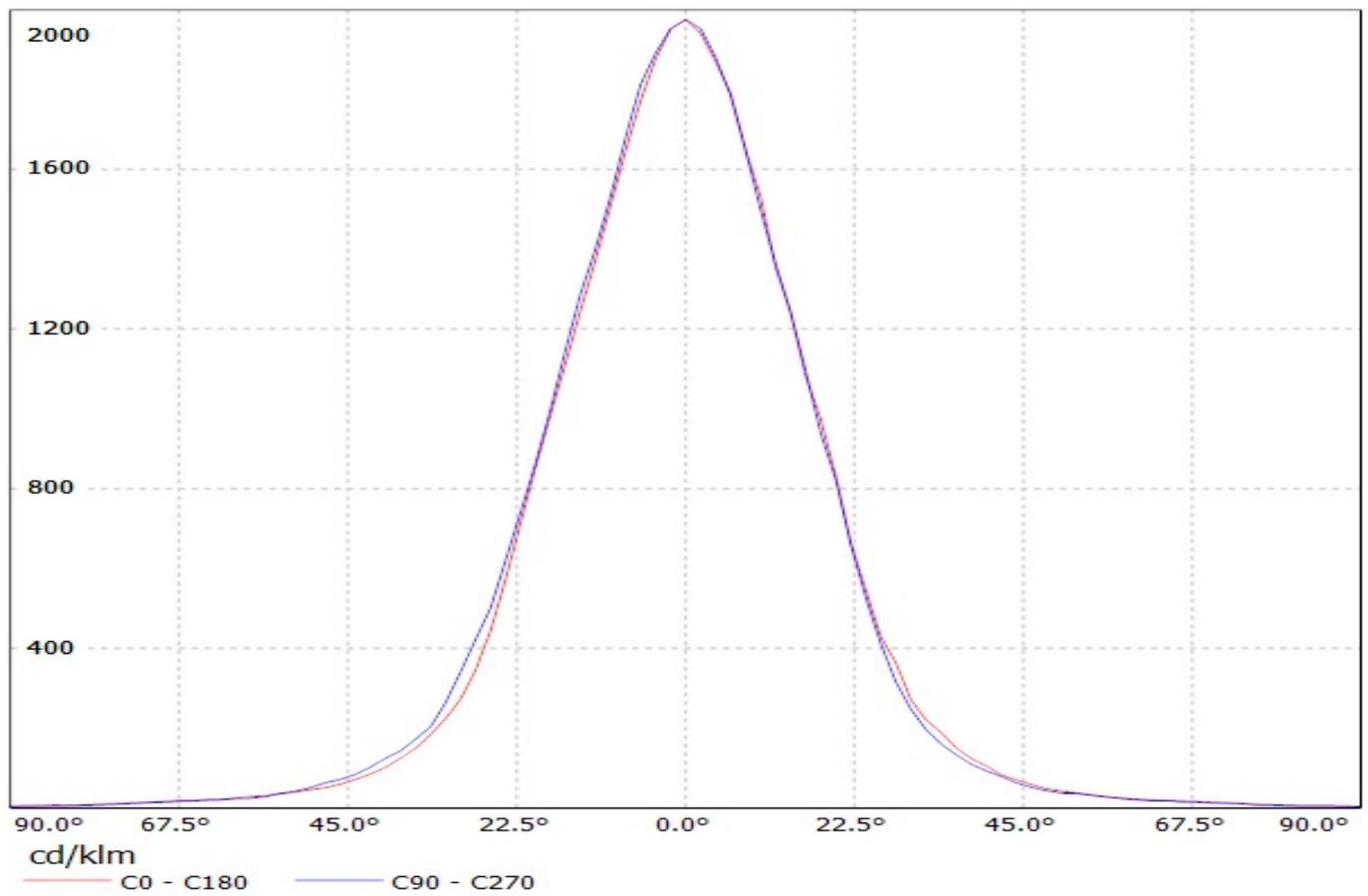
Control for SPC marked dimensions.

This drawing is our property. It can't be reproduced or communicated without our written agreement.		 Ledil Oy Salorankatu 10 FIN 24240 SALO Finland	
DRAWN BY oha		DRAWING TITLE Datasheet	
DATE 20.9.2012		FCA13042 TINA3-S	
CHECKED BY VS	DATE -	SIZE A3	PART NUMBER FCA13042
DESIGNED BY -	DATE -	SCALE 3:1	WEIGHT 3,33 g
		SHEET 1/1	REV 001

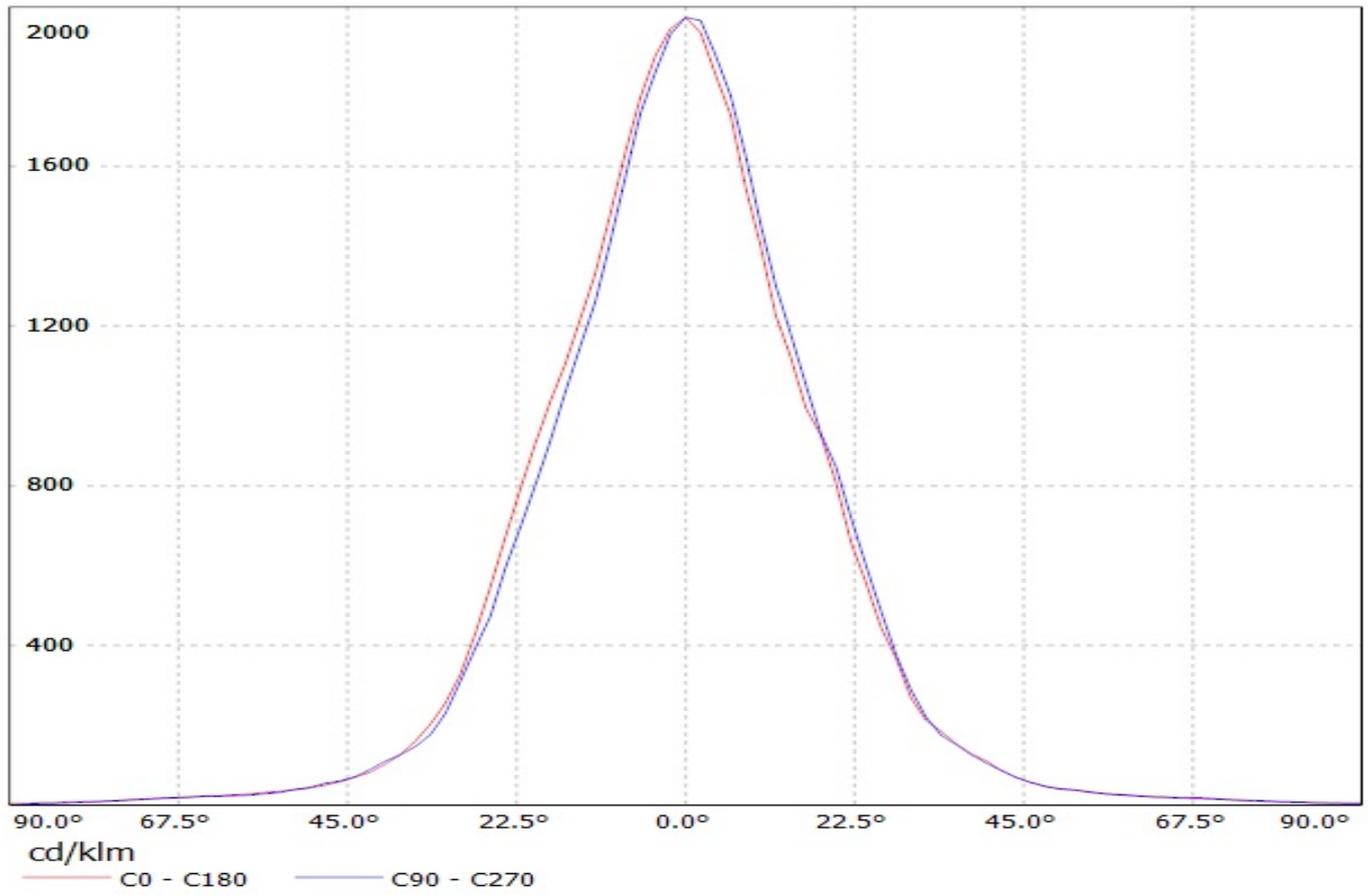
Luminaire: Ledil Oy CA13043_TINA3-W (Cree XP-G 87lm @ 250mA) Efficiency=93%
Lamps: 1 x Cree XP-G 87lm @ 250mA



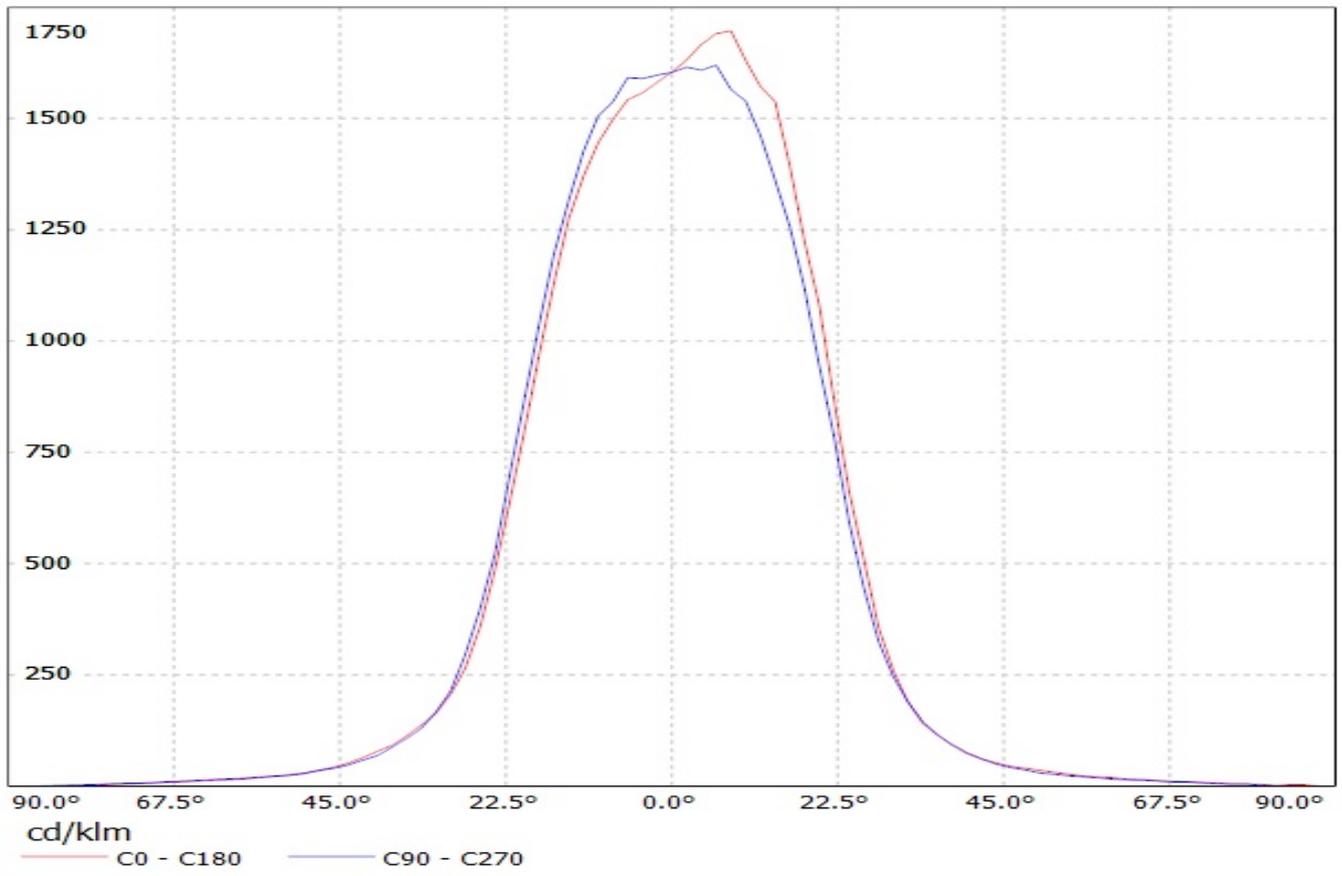
Luminaire: Ledil Oy CA13043_TINA3-W (Cree XT-E 94lm @ 250mA) Efficiency=93%
Lamps: 1 x Cree XT-E 94lm @ 250mA



Luminaire: Ledil Oy CA13043_TINA3-W (Cree XP-E 76lm @ 250mA) Efficiency=93%
Lamps: 1 x Cree XP-E 76lm @ 250mA

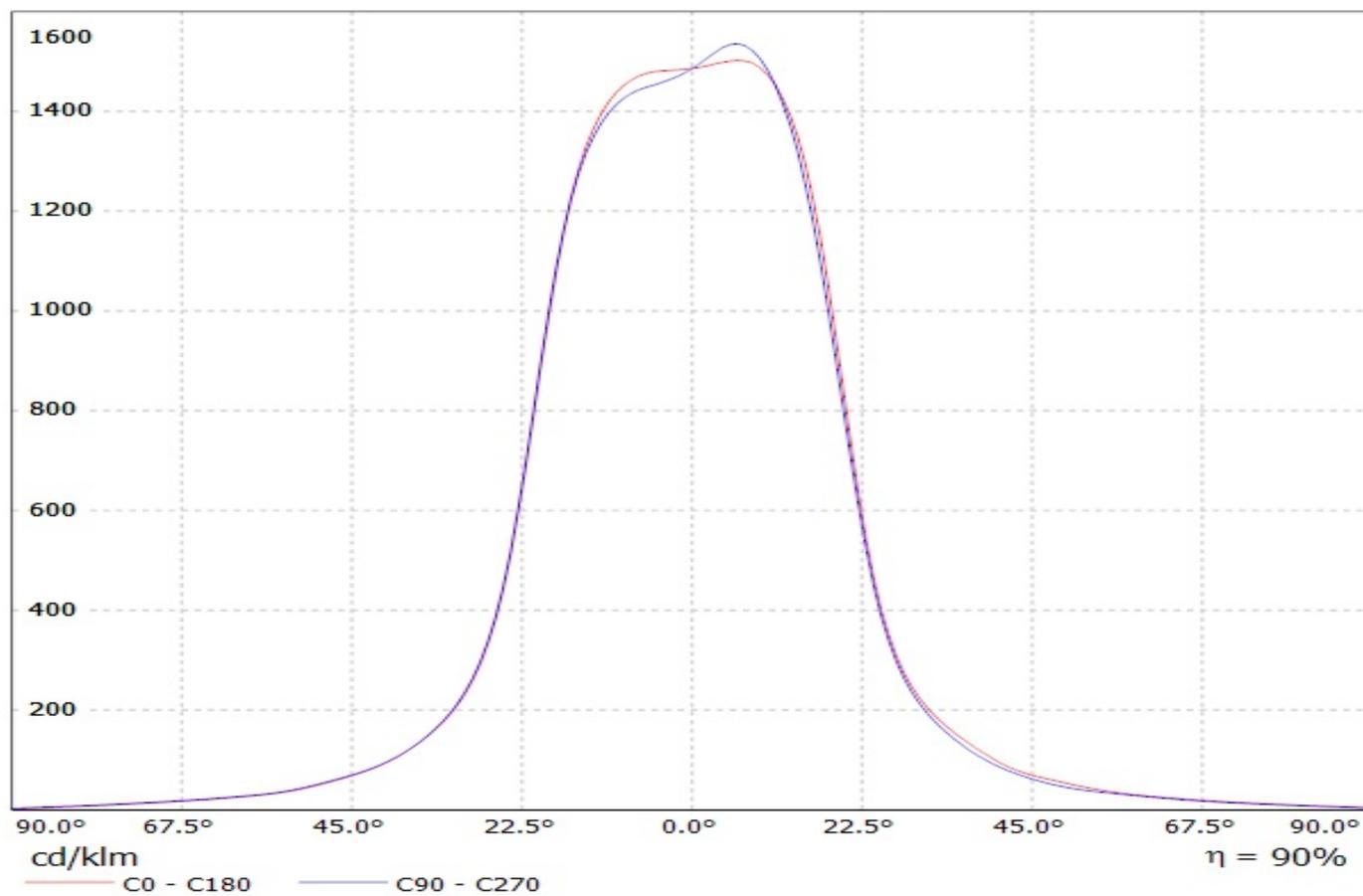


Luminaire: Ledil Oy CA13043_TINA3-W_(XP-G2) Efficiency=91%
Lamps: 1 x Cree XP-G2 (104lm @ 250mA) CCT=6600K P=0.8W I=250mA

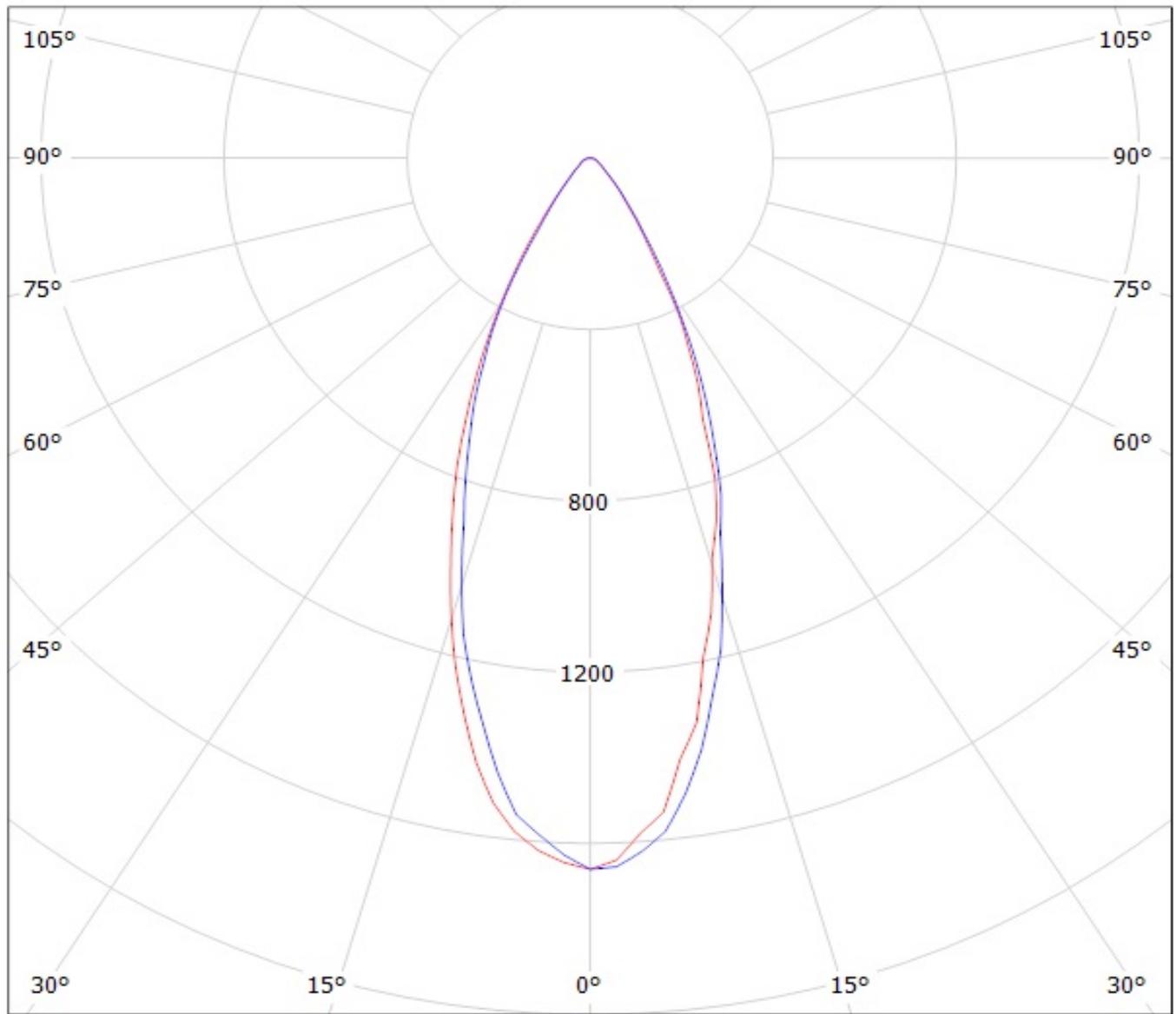


Luminaire: LEDiL Oy CA13043_TINA3-W_(XP-L_HI)

Lamps: 1 x Cree_XP-L_HI_114.406lm@250mA_P=0.745352W_I=0.2499A



Luminaire: Ledil Oy CA13043_TINA3-W (Cree XP-G 87lm @ 250mA) Efficiency=93%
Lamps: 1 x Cree XP-G 87lm @ 250mA

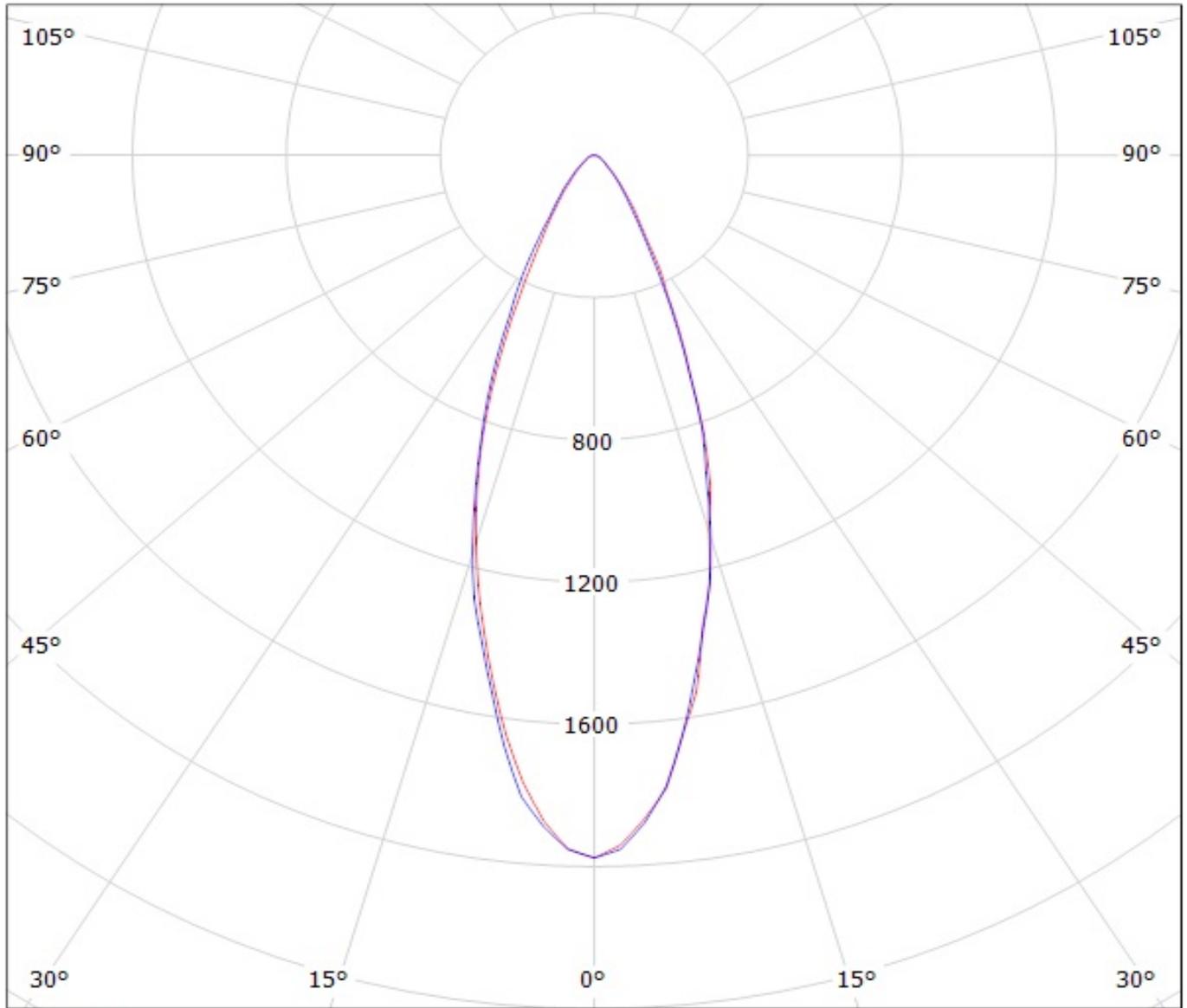


cd/klm

— C0 - C180

— C90 - C270

Luminaire: Ledil Oy CA13043_TINA3-W (Cree XT-E 94lm @ 250mA) Efficiency=93%
Lamps: 1 x Cree XT-E 94lm @ 250mA

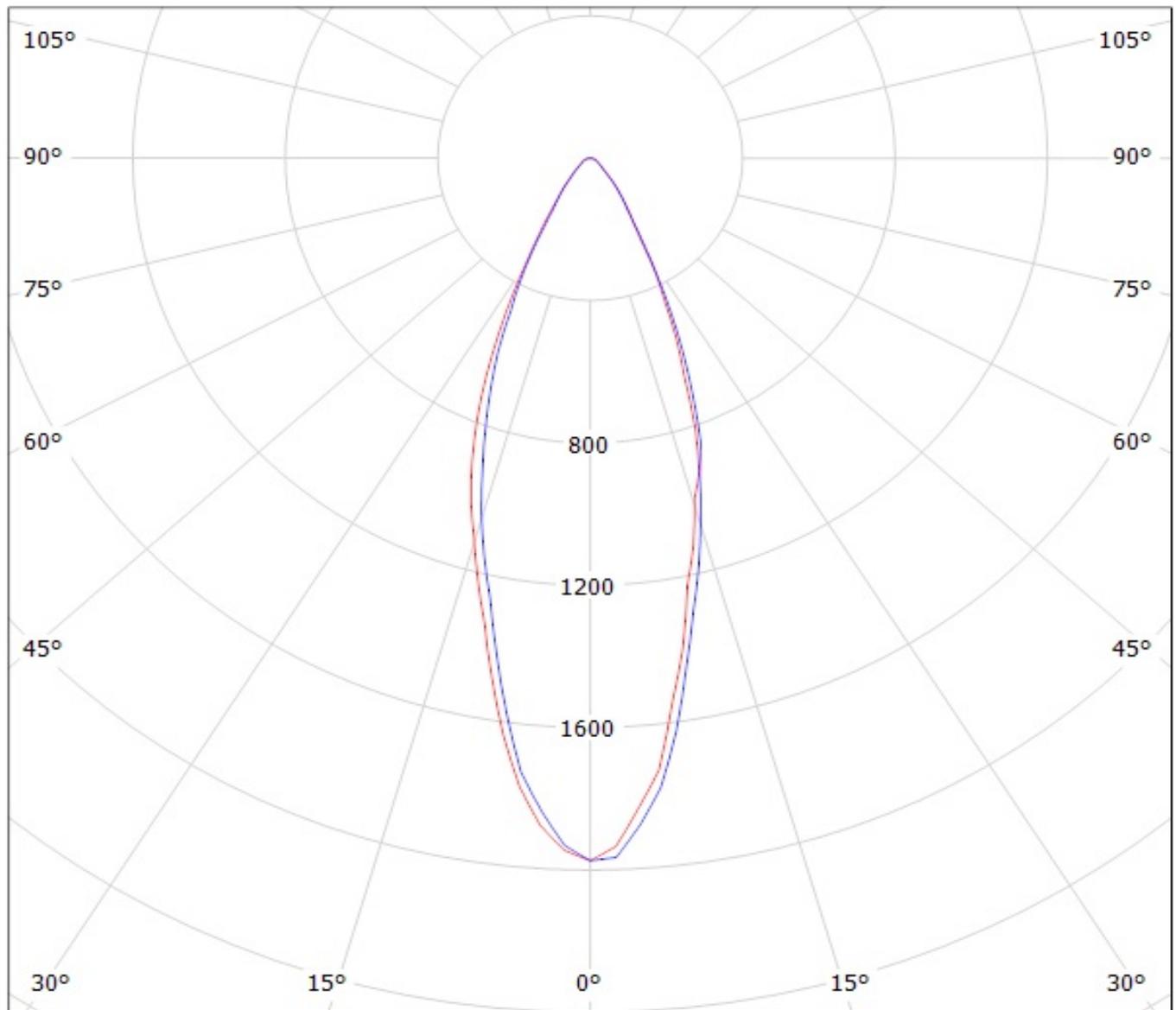


cd/klm

— C0 - C180

— C90 - C270

Luminaire: Ledil Oy CA13043_TINA3-W (Cree XP-E 76lm @ 250mA) Efficiency=93%
Lamps: 1 x Cree XP-E 76lm @ 250mA

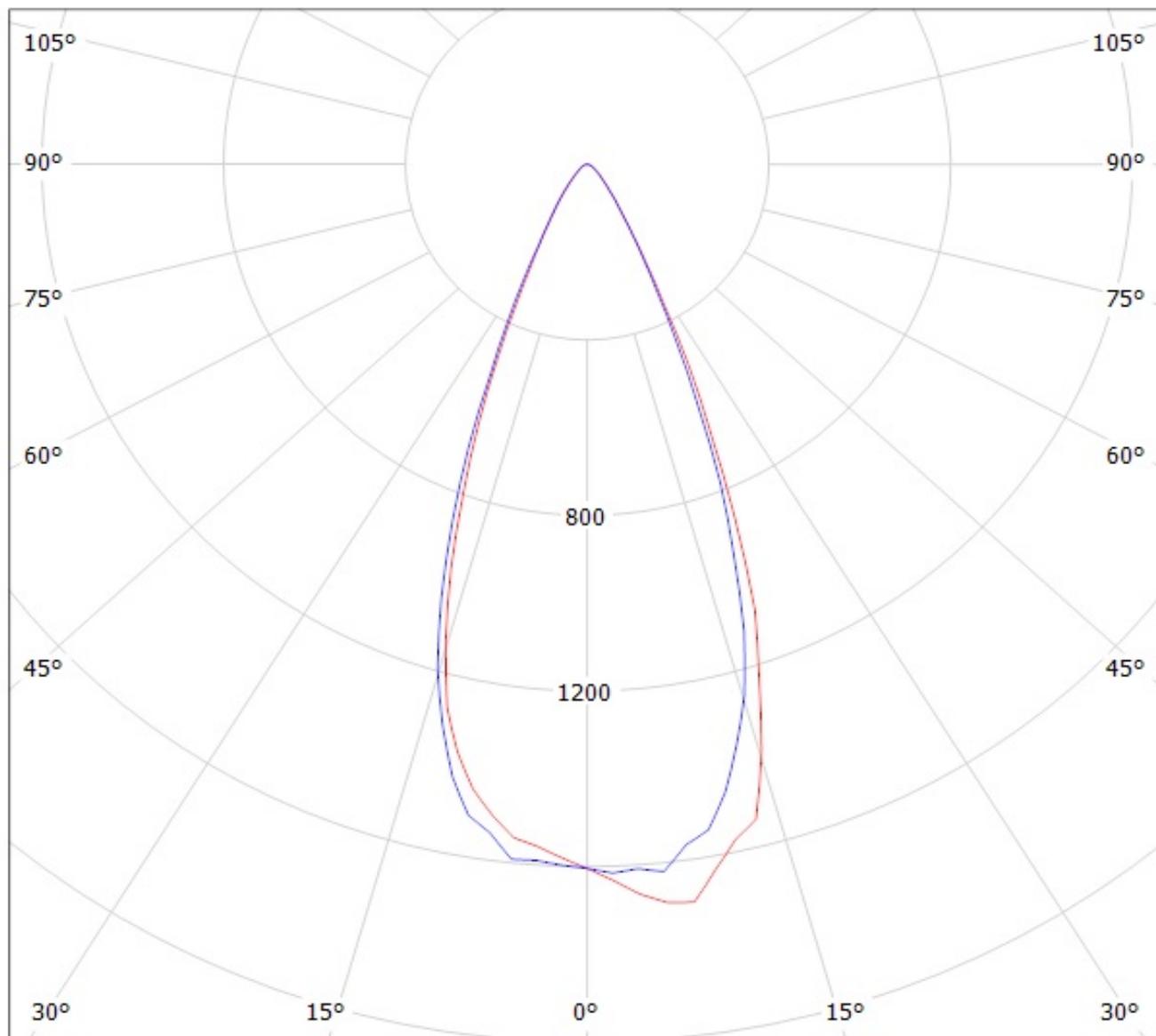


cd/klm

— C0 - C180

— C90 - C270

Luminaire: Ledil Oy CA13043_TINA3-W_(XP-G2) Efficiency=91%
Lamps: 1 x Cree XP-G2 (104lm @ 250mA) CCT=6600K P=0.8W I=250mA

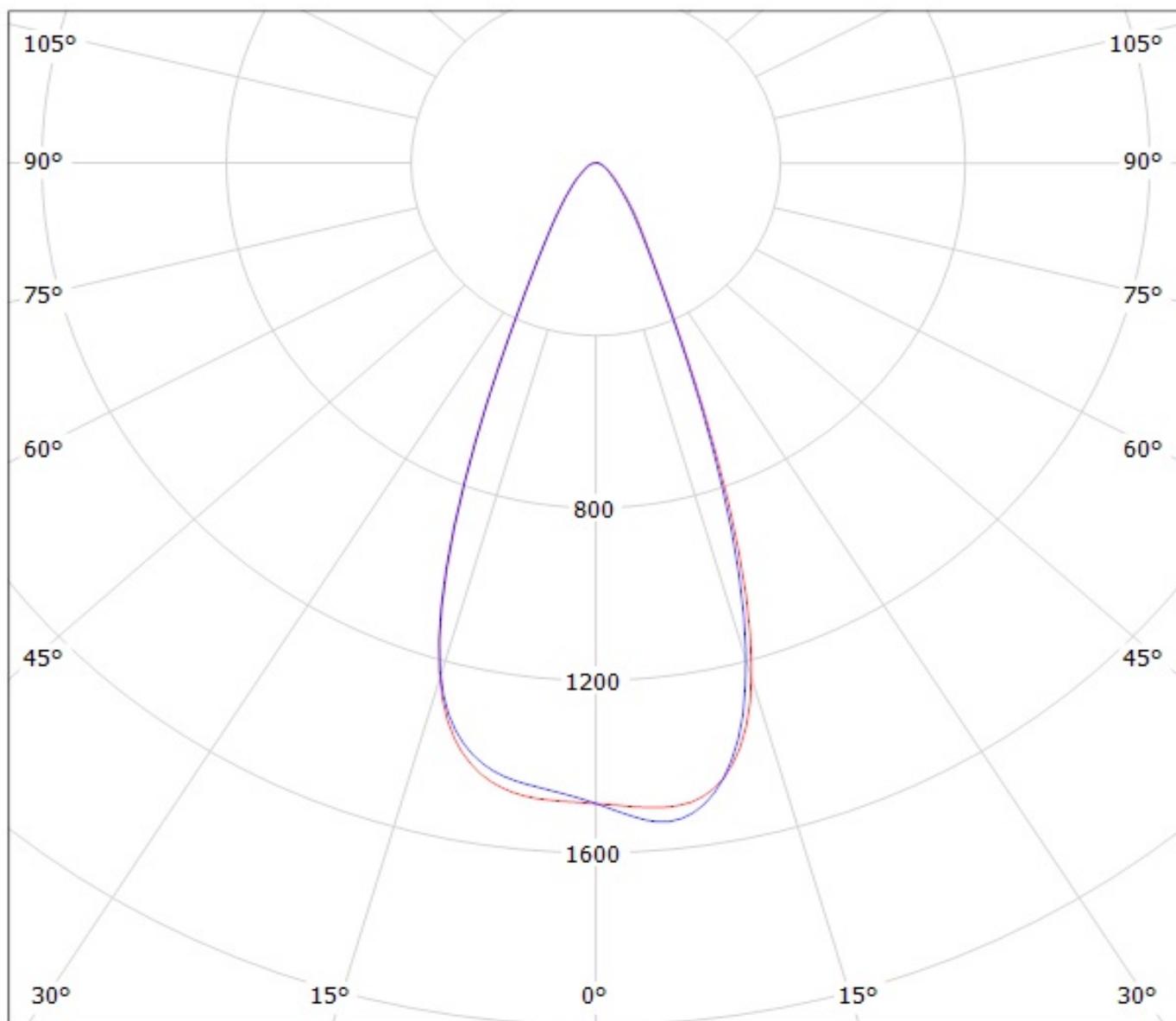


cd/klm

— C0 - C180 — C90 - C270

Luminaire: LEDiL Oy CA13043_TINA3-W_(XP-L_HI)

Lamps: 1 x Cree_XP-L_HI_114.406lm@250mA_P=0.745352W_I=0.2499A



cd/klm

— C0 - C180

— C90 - C270

$\eta = 90\%$

NOTE: The typical divergence will be changed by different color, chip size and chip position tolerance. The typical total divergence is the full angle measured where the luminous intensity is half of the peak value.