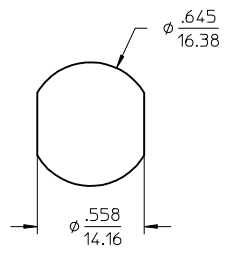
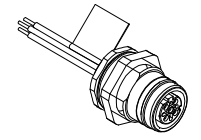
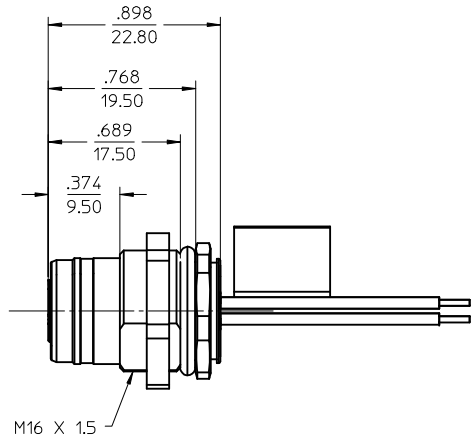
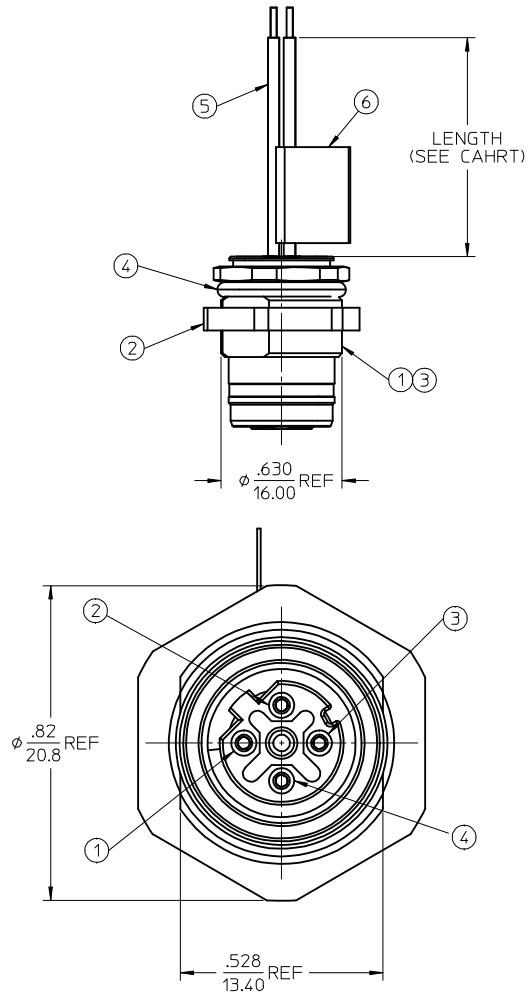


MATERIAL NUMBER	ENGINEERING NO.	LENGTH
1201095002	ERWAAU7000C050	0'2" +.25 - 0 [50MM +6.4 - 0]



PANEL CUT OUT



P1	
1	YELLOW
2	WHITE
3	ORANGE
4	BLUE

WIRING DIAGRAM

- NOTES:
- MATERIAL: SEE TABLE
 - FINISHES: SEE TABLE
 - MATES WITH: ULTRA LOCK M12 CORDSETS
 - ELECTRICAL DATA:
ACCORDING TO CAT5e ETHERNET STANDARD
RECEPTACLE
FEMALE D-CODING
22AWG
POLES: 4
MAX. VOLTAGE: 250V
MAX. CURRENT 4A
PROTECTION IP67
UL E200650
 - PACKAGING:
CABLE ASSEMBLIES ARE BAGGED SEPERATELY
IN POLY BAGS WITH BAR CODE LABEL ATTACHED
TO OUTSIDE OF BAG.
 - ASSEMBLY IS RoHS COMPLIANT.

SALES DRAWING

ITEM	QTY.	DESCRIPTION	MATERIAL	FINISH
6	1	LABEL	PLASTIC FILM	BLACK/YELLOW
5	4	22AWG LEADS	PVC	AS NOTED
4	1	O-RING	VITON	BLACK
3	4	CONDUCTORS, FEMALE	COPPER ALLOY	GOLD PLATED
2	1	LOCK NUT	STEEL	ZINC PLATED
1	1	4P RECEPTACLE ASSY	BRASS SHELL	BRIGHT NICKEL

RELEASE DWG	EC NO: WNA2009-0647	2009/04/02
DRWN:BRUPERT	CHKD:WOODMAN	2009/04/08
APPR:JMURPHY		
REV	DESCRIPTION	

QUALITY SYMBOLS	GENERAL TOLERANCES (UNLESS SPECIFIED)
▽=0	mm INCH
▽=0	4 PLACES ± --- ± ---
	3 PLACES ± --- ± .010
	2 PLACES ± 0.25 ± .020
	1 PLACE ± 0.51 ± ---
	ANGULAR ± 1 °
	DRAFT WHERE APPLICABLE MUST REMAIN WITHIN DIMENSIONS

DIMENSION STYLE		SCALE	DESIGN UNITS	THIRD ANGLE PROJECTION
IN/MM		2:1	INCH	
DRAWN BY	DATE	TITLE		
B. RUPERT	04/01/09	UL-M12-4P(D)-FE.REC		
CHECKED BY	DATE			
WOODMAN	04/01/09			
APPROVED BY	DATE			
MURPHY	04/01/09			
MATERIAL NO.	DOCUMENT NO.			
SEE CHART	SD-120109-002			
SIZE	C	THIS DRAWING CONTAINS INFORMATION THAT IS PROPRIETARY TO MOLEX INCORPORATED AND SHOULD NOT BE USED WITHOUT WRITTEN PERMISSION		

MOLEX INCORPORATED		SHEET NO.
SD-120109-002		1 OF 1