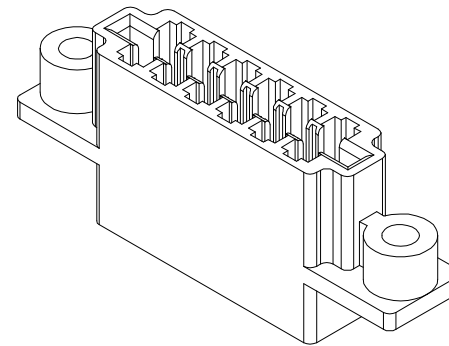
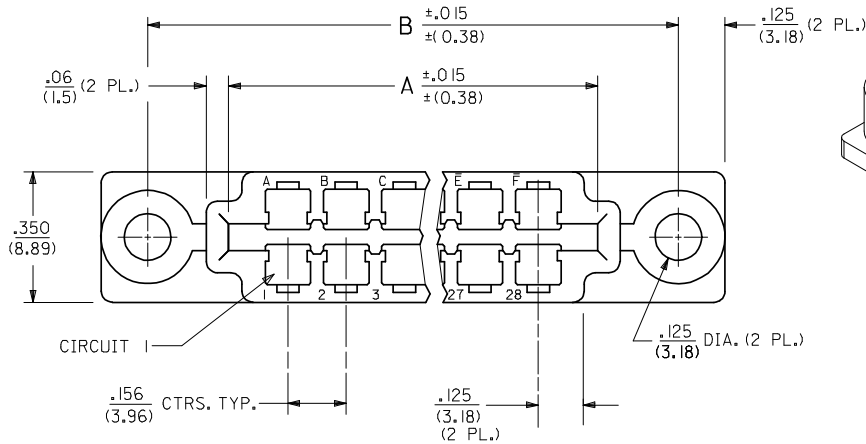


A	B	C	D	E	F	H	J	K	L	M	N	P	R	S	T	U	V	W	X	Y	Z	Ā	Ē	Ĉ	Ď	Ē	Ĕ	Ė
I	2	3	4	5	6	7	8	9	10	11	12	13	14	15	16	17	18	19	20	21	22	23	24	25	26	27	28	

CIRCUIT IDENTIFICATION  
ON TOP SURFACE

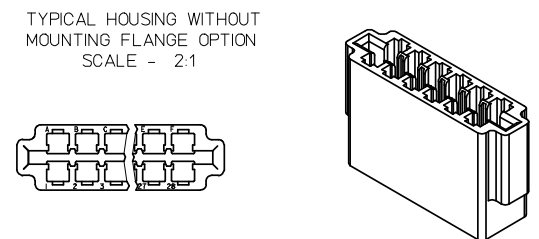
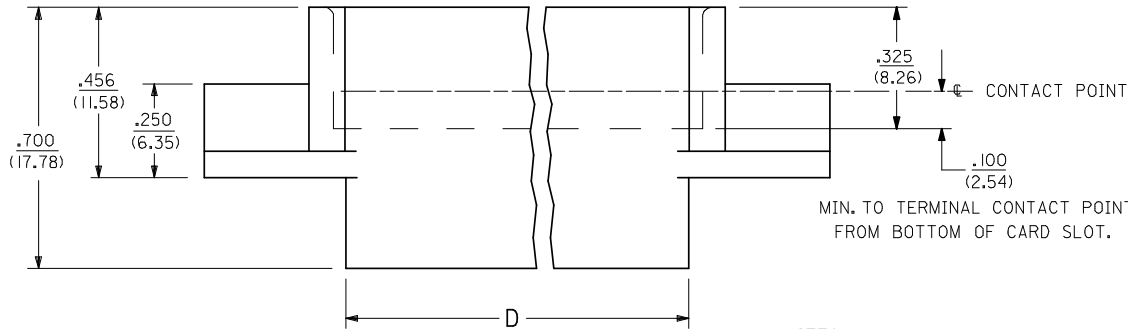


CKTS	DIM. "A"	DIM. "B" (W/FLANGES)	DIM. "C"	DIM. "D"
6	1.105 (28.07)	1.531 (38.89)	1.085 (27.56)	1.02 (26.0)
8	1.415 (35.94)	1.767 (44.88)	1.395 (35.43)	1.34 (33.9)
10	1.729 (43.92)	2.156 (54.76)	1.709 (43.41)	1.65 (41.9)
12	2.041 (51.84)	2.465 (62.61)	2.021 (51.33)	1.96 (49.8)
15	2.510 (63.75)	2.938 (74.63)	2.490 (63.25)	2.43 (61.7)
18	2.955 (75.06)	3.406 (86.51)	2.935 (74.55)	2.90 (73.6)
22	3.610 (91.69)	4.039 (102.59)	3.590 (91.19)	3.52 (89.4)
24	3.922 (99.62)	4.350 (110.49)	3.902 (99.11)	3.83 (97.3)
25	4.078 (103.58)	4.503 (114.38)	4.058 (103.07)	3.99 (101.3)
28	4.549 (115.54)	4.969 (126.21)	4.529 (115.04)	4.46 (113.2)

LEGEND  
4338-\*\*\*

CIRCUIT SIZE  
I=W.O./FLANGES  
BLANK=W./FLANGES

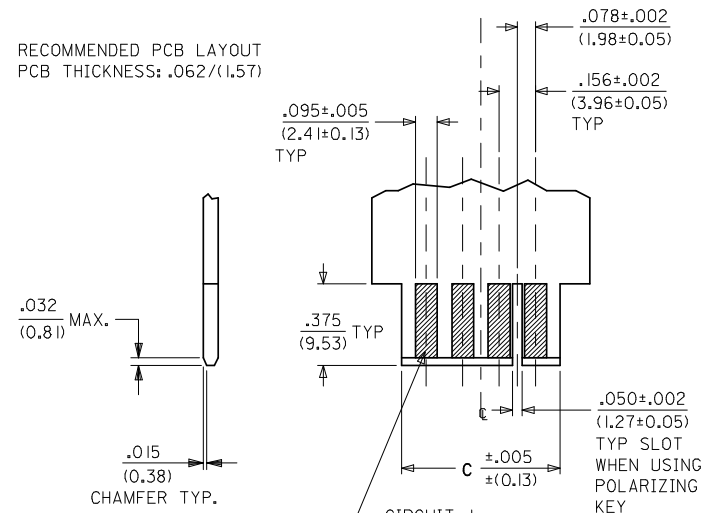
R=W./POLARIZATION RIB (SEE SHEET 2)  
BLANK= W.O./POLARIZATION RIB



RECOMMENDED PCB LAYOUT  
PCB THICKNESS: .062/(1.57)

NOTES:

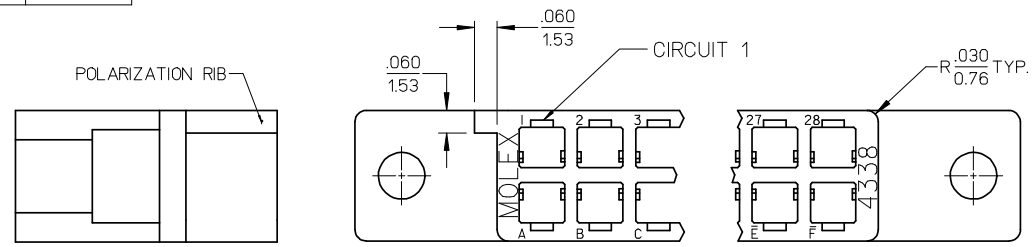
1. MATERIAL: GLASS FILLED POLYESTER, UL94V-0, MOLDED BLACK.
2. FINISH: N/A
3. THIS PRODUCT CONFORMS TO PRODUCT SPECIFICATION PS-09-50.
4. PARTS ARE BULK PACKAGED.
5. THIS HOUSING ACCEPTS THE FOLLOWING TERMINALS:  
CRIMP TERMINAL NUMBER: 4366 AND 4573  
SOLDER LUG TERMINAL NUMBER: 4574



2	D
I	D
SH.	REV.

ADD POL. RIB OPTION EC NO: UCP2008-2736 DRAWN: KIPER 2008/05/27 CHKD: SSOUSEK 2008/05/27 APPR: FSMITH 2008/05/28	QUALITY SYMBOLS	GENERAL TOLERANCES (UNLESS SPECIFIED)	DIMENSION STYLE	SCALE	DESIGN UNITS	THIRD ANGLE PROJECTION																		
	$\nabla=0$ $\nabla=0$	<table border="1"> <tr> <th></th> <th>mm</th> <th>INCH</th> </tr> <tr> <td>4 PLACES</td> <td>±---</td> <td>±---</td> </tr> <tr> <td>3 PLACES</td> <td>±---</td> <td>±.010</td> </tr> <tr> <td>2 PLACES</td> <td>±0.25</td> <td>±.014</td> </tr> <tr> <td>1 PLACE</td> <td>±0.35</td> <td>±---</td> </tr> <tr> <td colspan="3">ANGULAR ±1/2°</td> </tr> </table>		mm	INCH	4 PLACES	±---	±---	3 PLACES	±---	±.010	2 PLACES	±0.25	±.014	1 PLACE	±0.35	±---	ANGULAR ±1/2°			IN/MM	4:1	INCH	
		mm	INCH																					
	4 PLACES	±---	±---																					
3 PLACES	±---	±.010																						
2 PLACES	±0.25	±.014																						
1 PLACE	±0.35	±---																						
ANGULAR ±1/2°																								
DESCRIPTION	DRAFT WHERE APPLICABLE MUST REMAIN WITHIN DIMENSIONS	<table border="1"> <tr> <td>DRAWN BY</td> <td>DATE</td> <td>TITLE</td> </tr> <tr> <td>ROBERTS</td> <td>1991/09/09</td> <td>HOUSING, DOUBLE ROW CONNECTOR</td> </tr> <tr> <td>CHECKED BY</td> <td>DATE</td> <td></td> </tr> <tr> <td>PATEL</td> <td>1991/09/09</td> <td></td> </tr> <tr> <td>APPROVED BY</td> <td>DATE</td> <td></td> </tr> <tr> <td>LENZ</td> <td>1991/09/09</td> <td></td> </tr> </table>	DRAWN BY	DATE	TITLE	ROBERTS	1991/09/09	HOUSING, DOUBLE ROW CONNECTOR	CHECKED BY	DATE		PATEL	1991/09/09		APPROVED BY	DATE		LENZ	1991/09/09					
DRAWN BY	DATE	TITLE																						
ROBERTS	1991/09/09	HOUSING, DOUBLE ROW CONNECTOR																						
CHECKED BY	DATE																							
PATEL	1991/09/09																							
APPROVED BY	DATE																							
LENZ	1991/09/09																							
REV	SIZE	MATERIAL NO.	DOCUMENT NO.	SHEET NO.																				
D	C	SEE CHART	SD-4338	1 OF 2																				
		THIS DRAWING CONTAINS INFORMATION THAT IS PROPRIETARY TO MOLEX INCORPORATED AND SHOULD NOT BE USED WITHOUT WRITTEN PERMISSION																						

	13	12	11	10	9	8	7	6	5	4	3	2	1
J	PART NO.	ENG. NO.		PART NO.	ENG. NO.								
	09-50-6065	4338-6											
	09-50-5065	4338-6I											
	09-50-6085	4338-8											
	09-50-7085	4338-8R											
	09-50-5085	4338-8I											
	09-50-6105	4338-10											
I	09-50-5105	4338-10I											
	09-50-6125	4338-12											
	09-50-5125	4338-12I											
	09-50-6155	4338-15											
	09-50-5155	4338-15I											
	09-50-6185	4338-18											
	09-50-5185	4338-18I											
H	09-50-6225	4338-22											
	09-50-5225	4338-22I											
	09-50-6245	4338-24											
	09-50-5245	4338-24I											
	09-50-6255	4338-25											
	09-50-5255	4338-25I											
G	09-50-6285	4338-28											
	09-50-5285	4338-28I											
F													
E													



SHOWN WITH OPTIONAL POLARIZATION RIB

ADD POL. RIB OPTION EC NO: UCP2008-2736 DRAWN:KKI/PPER 2008/05/27 CHKD:SSO/SEK 2008/05/27 APPR:FSM/LH 2008/05/28	DESCRIPTION POLARIZATION RIB	QUALITY SYMBOLS	GENERAL TOLERANCES (UNLESS SPECIFIED)	DIMENSION STYLE	SCALE	DESIGN UNITS	THIRD ANGLE PROJECTION																		
		$\nabla=0$ $\nabla=0$	<table border="1"> <thead> <tr> <th></th> <th>mm</th> <th>INCH</th> </tr> </thead> <tbody> <tr> <td>4 PLACES</td> <td>±---</td> <td>±---</td> </tr> <tr> <td>3 PLACES</td> <td>±---</td> <td>±.010</td> </tr> <tr> <td>2 PLACES</td> <td>±0.25</td> <td>±.014</td> </tr> <tr> <td>1 PLACE</td> <td>±0.35</td> <td>±---</td> </tr> <tr> <td colspan="3">ANGULAR ±1/2°</td> </tr> </tbody> </table>		mm	INCH	4 PLACES	±---	±---	3 PLACES	±---	±.010	2 PLACES	±0.25	±.014	1 PLACE	±0.35	±---	ANGULAR ±1/2°			IN/MM	---	INCH	
			mm	INCH																					
		4 PLACES	±---	±---																					
3 PLACES	±---	±.010																							
2 PLACES	±0.25	±.014																							
1 PLACE	±0.35	±---																							
ANGULAR ±1/2°																									
DRAWN BY: ROBERTS CHECKED BY: PATEL APPROVED BY: LENZ	DATE: 1991/09/16 DATE: 1991/09/16 DATE: 1991/09/16	TITLE: HOUSING, DOUBLE ROW CONNECTOR																							
DRAFT WHERE APPLICABLE MUST REMAIN WITHIN DIMENSIONS		MATERIAL NO. SEE CHART		MOLEX MOLEX INCORPORATED		DOCUMENT NO. SD-4338																			
		SIZE C THIS DRAWING CONTAINS INFORMATION THAT IS PROPRIETARY TO MOLEX INCORPORATED AND SHOULD NOT BE USED WITHOUT WRITTEN PERMISSION				SHEET NO. 2 OF 2																			