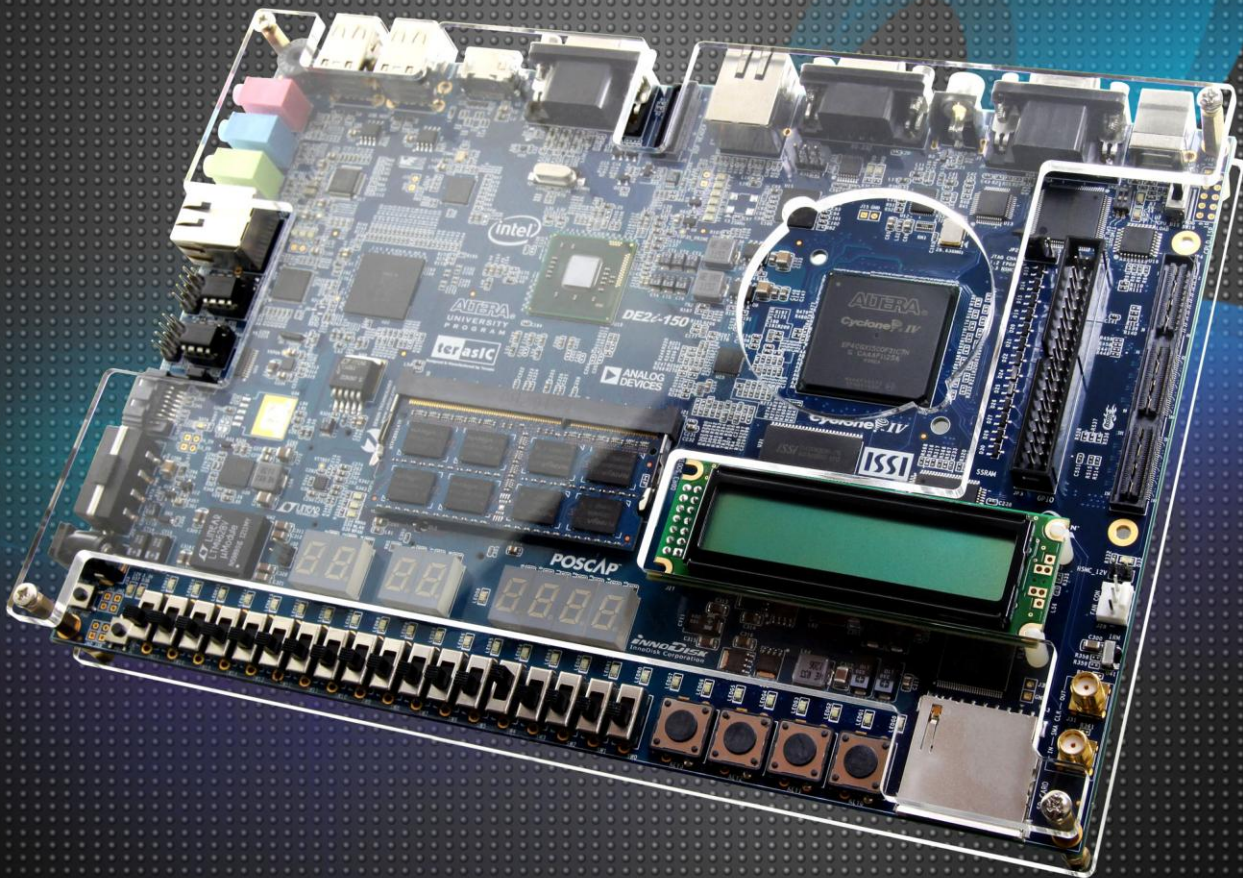


DE2i-150

DEVELOPMENT KIT

FPGA SYSTEM USER MANUAL



Chapter 1 Introduction of the FPGA System of DE2i-150 Board.....	5
1-1 Layout and Components	5
1-2 Block Diagram of the DE2i-150 Board.....	7
Chapter 2 DE2i-150 Control Panel.....	10
2-1 Control Panel Setup.....	10
2-2 Controlling the LEDs, 7-segment Displays and LCD Display	12
2-3 Switches and Push-buttons.....	14
2-4 SDRAM/SSRAM/Flash Controller and Programmer	15
2-5 SD Card.....	17
2-6 RS-232 Communication.....	18
2-7 VGA	19
2-8 HSMC	20
2-9 IR Receiver.....	21
2-10 G-Sensor.....	22
2-11 Overall Structure of the DE2i-150 Control Panel	23
Chapter 3 Using the DE2i-150 Board.....	25
3-1 Monitor Function for the Status of FPGA Configuration.....	25
3-2 Configuring the Cyclone IV GX FPGA	26
3-3 Using Push-buttons and Switches	30
3-4 Using LEDs.....	31
3-5 Using the 7-segment Displays.....	33
3-6 Clock Circuitry.....	35
3-7 Using the LCD Module.....	36
3-8 High Speed Mezzanine Card.....	37

3-9 Using the Expansion Header	40
3-10 Using VGA.....	42
3-11 RS-232 Serial Port.....	45
3-12 Gigabit Ethernet Transceiver.....	46
3-13 TV Decoder	48
3-14 Implementing a TV Encoder	50
3-15 Using IR	50
3-16 Using SSRAM/SDRAM/FLASH/SD Card.....	51
Chapter 4 DE2i-150 System Builder	58
4-1 Introduction	58
4-2 General Design Flow.....	58
4-3 Using DE2i-150 System Builder.....	59
Chapter 5 Examples of Advanced Demonstrations.....	67
5-1 DE2i-150 Factory Configuration	67
5-2 TV Box Demonstration	68
5-3 SD Card Demonstration	70
5-4 IR Receiver Demonstration.....	73
5-5 Web Server Demonstration	77
Chapter 6 PCI Express Introduction	87
6-1 PCI Express System Framework.....	87
6-2 FPGA: PCI Express System Design.....	88
6-3 Linux Host: PCI Express System Design	89
6-4 Operation of Yocto	96
6-5 Installation of PCI Express Driver	98
6-6 Demo: Fundamental Communication	98
6-7 Demo: VGA Display	103
Chapter 7 Appendix	109
7-1 EPCS Programming via nios-2-flash-programmer	109

7-2 Making HAL CFI Flash drivers to work with Spansion F-lash 109

7-3 Revision History..... 110

7-4 Copyright Statement..... 110

Introduction of the FPGA System of DE2i-150 Board

This chapter presents the features and design characteristics of the DE2i-150 board.

1-1 Layout and Components

A photograph of the DE2i-150 board is shown in **Figure 1-1** and **Figure 1-2**. It depicts the layout of the board and indicates the location of the connectors and key components.

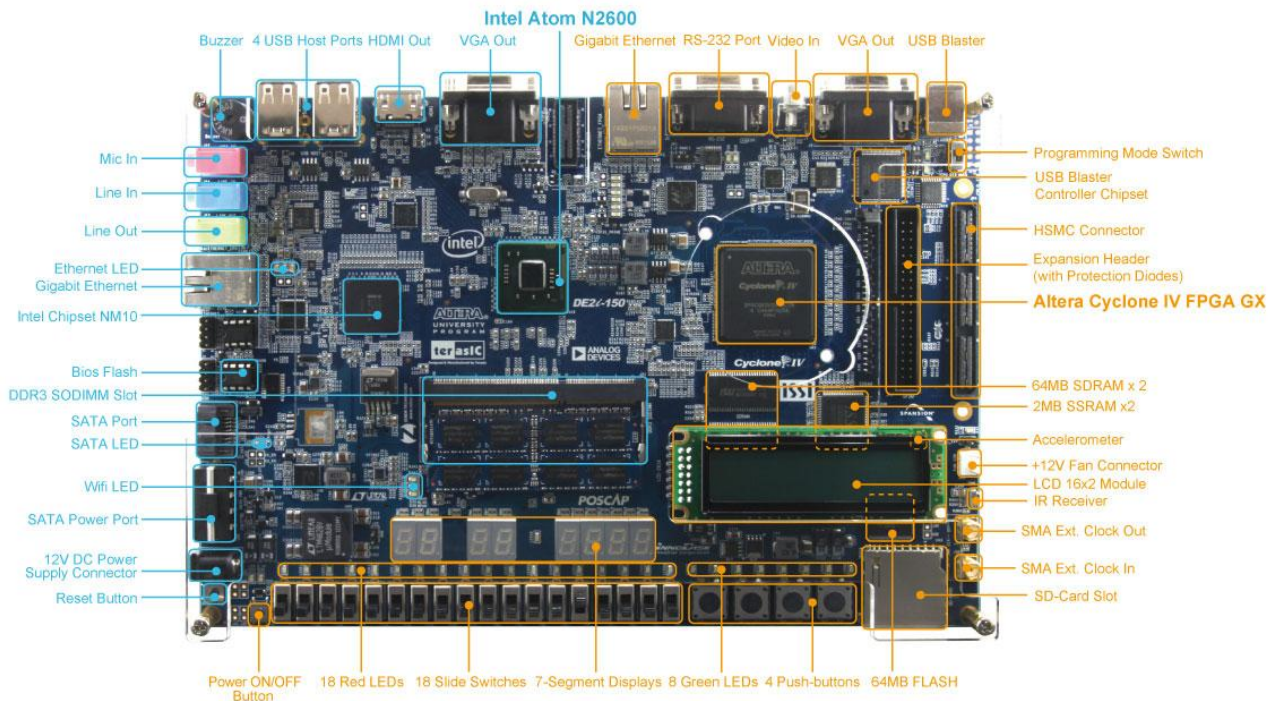


Figure 1-1 The DE2i-150 board (top view)

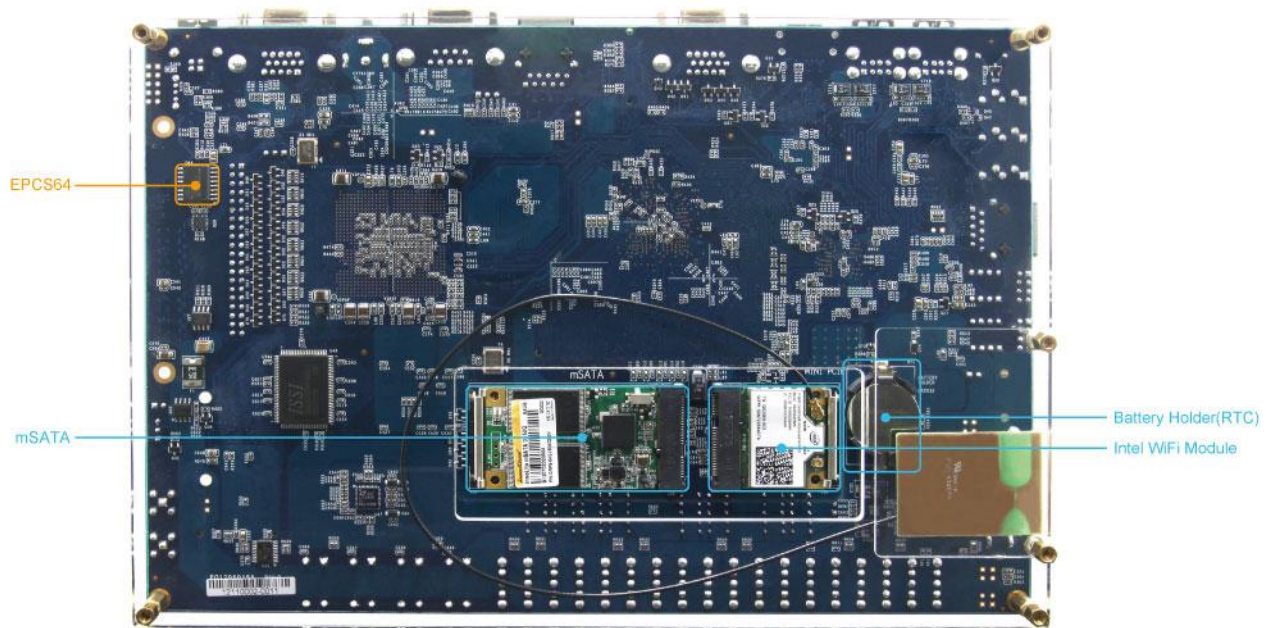


Figure 1-2 The DE2i-150 board (bottom view)

The DE2i-150 board has many features that allow users to implement a wide range of designed circuits, from simple circuits to various multimedia projects.

The following hardware (FPGA System) is provided on the DE2i-150 board:

- Altera Cyclone® IV 4CX150 FPGA device
- Altera Serial Configuration device – EPCS64
- USB Blaster (on board) for programming; both JTAG and Active Serial (AS) programming modes are supported
- Two 2MB SSRAM
- Two 64MB SDRAM
- 64MB Flash memory
- SD Card socket
- 4 Push-buttons
- 18 Slide switches
- 18 Red user LEDs
- 9 Green user LEDs
- 50MHz oscillator for clock sources
- VGA DAC (8-bit high-speed triple DACs) with VGA-out connector
- TV Decoder (NTSC/PAL/SECAM) and TV-in connector
- Gigabit Ethernet PHY with RJ45 connectors
- RS-232 transceiver and 9-pin connector

- IR Receiver
- 2 SMA connectors for external clock input/output
- One 40-pin Expansion Header with diode protection
- One High Speed Mezzanine Card (HSMC) connector
- 16x2 LCD module

In addition to these hardware features, the DE2i-150 board has software support for standard I/O interfaces and a control panel facility for accessing various components. Also, the software is provided for supporting a number of demonstrations that illustrate the advanced capabilities of the DE2i-150 board.

In order to use the DE2i-150 board, the user has to be familiar with the Quartus II software. The necessary knowledge can be acquired by reading the tutorials “*My_First_Fpga*”. These tutorials are provided in the directory DE2i_150_tutorials on the **DE2i-150 System CD** that accompanies the DE2i-150 kit and can also be found on Terasic’s DE2i-150 web pages.

1-2 Block Diagram of the DE2i-150 Board

Figure 1-3 gives the block diagram of the DE2i-150 board. To provide maximum flexibility for the user, all connections are made through the Cyclone IV GX FPGA device. Thus, the user can configure the FPGA to implement any system design.

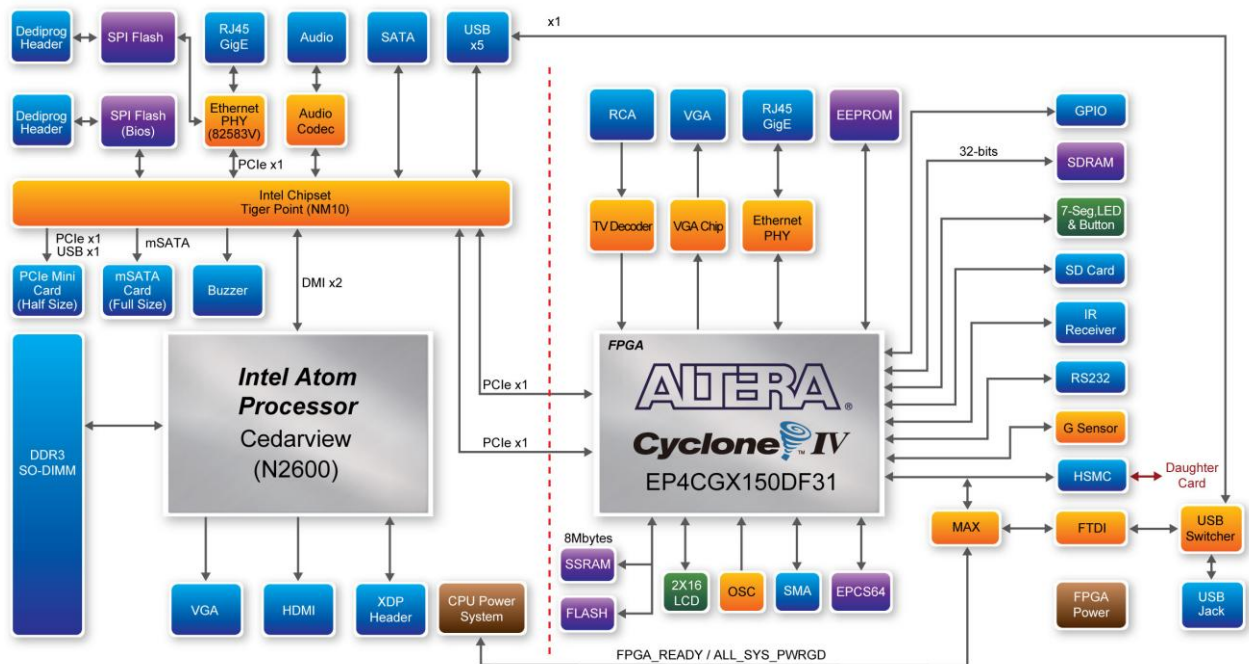


Figure 1-3 Block Diagram of DE2i-150

Following is more detailed information about the blocks in **Figure 1-3**:

FPGA device

- Cyclone IV EP4CGX150DF31 device
- 149,760 LEs
- 720 M9K memory blocks
- 6,480 Kbits embedded memory
- 8 PLLs

FPGA configuration

- JTAG and AS mode configuration
- EPCS64 serial configuration device
- On-board USB Blaster circuitry

Memory devices

- 128MB (32Mx32bit) SDRAM
- 4MB (1Mx32) SSRAM
- 64MB (4Mx16) Flash with 16-bit mode

SD Card socket

- Provides SPI and 4-bit SD mode for SD Card access

Connectors

- Ethernet 10/100/1000 Mbps ports
- High Speed Mezzanine Card (HSMC)
- 40-pin expansion port
- VGA-out connector
- VGA DAC (high speed triple DACs)
- DB9 serial connector for RS-232 port with flow control

Clock

- Three 50MHz oscillator clock inputs
- SMA connectors (external clock input/output)

Display

- 16x2 LCD module

Switches and indicators

- 18 slide switches and 4 push-buttons switches
- 18 red and 9 green LEDs
- 8 7-segment displays

Other features

- Infrared remote-control receiver module
- TV decoder (NTSC/PAL/SECAM) and TV-in connector

DE2i-150 Control Panel

The DE2i-150 board comes with a Control Panel program that allows users to access various components on the board from a host computer. The host computer communicates with the board through a USB connection. The program can be used to verify the functionality of components on the board or be used as a debug tool while developing RTL code.

This chapter first presents some basic functions of the Control Panel, then describes its structure in the block diagram form, and finally describes its capabilities.

2-1 Control Panel Setup

The Control Panel Software Utility is located in the directory “*Tools/ ControlPanel*” in the **DE2i-150 System CD**. It's free of installation, just copy the whole folder to your host computer and launch the control panel by executing the “DE2i_150_ControlPanel.exe”.

Specific control circuits should be downloaded to your FPGA board before the control panel can request it to perform required tasks. The program will call Quartus II tools to download the control circuit to the FPGA board through the USB-Blaster[USB-0] connection.

To activate the Control Panel, perform the following steps:

1. Make sure Quartus II 12.1 or later version is installed successfully on your PC.
2. Set the RUN/PROG switch to the RUN position.
3. Connect the supplied USB cable to the USB Blaster port, connect the 12V power supply, and turn the power switch ON.
4. Start the executable DE2i_150_ControlPanel.exe on the host computer. The Control Panel user interface shown in **Figure 2-1** will appear.
5. The DE2i_150_ControlPanel.sof bit stream is loaded automatically as soon as the DE2i_150_control_panel.exe is launched.

- In case the connection is disconnected, click on CONNECT where the .sof will be re-loaded onto the board.

Please note that the Control Panel will occupy the USB port until you close that port; you cannot use Quartus II to download a configuration file into the FPGA until the USB port is closed.

- The Control Panel is now ready for use; experience it by setting the ON/OFF status for some LEDs and observing the result on the DE2i-150 board.



Figure 2-1 The DE2i-150 Control Panel

The concept of the DE2i-150 Control Panel is illustrated in **Figure 2-2**. The “Control Circuit” that performs the control functions is implemented in the FPGA board. It communicates with the Control Panel window, which is active on the host computer, via the USB Blaster link. The graphical interface is used to send commands to the control circuit. It handles all the requests and performs data transfers between the computer and the DE2i-150 board.

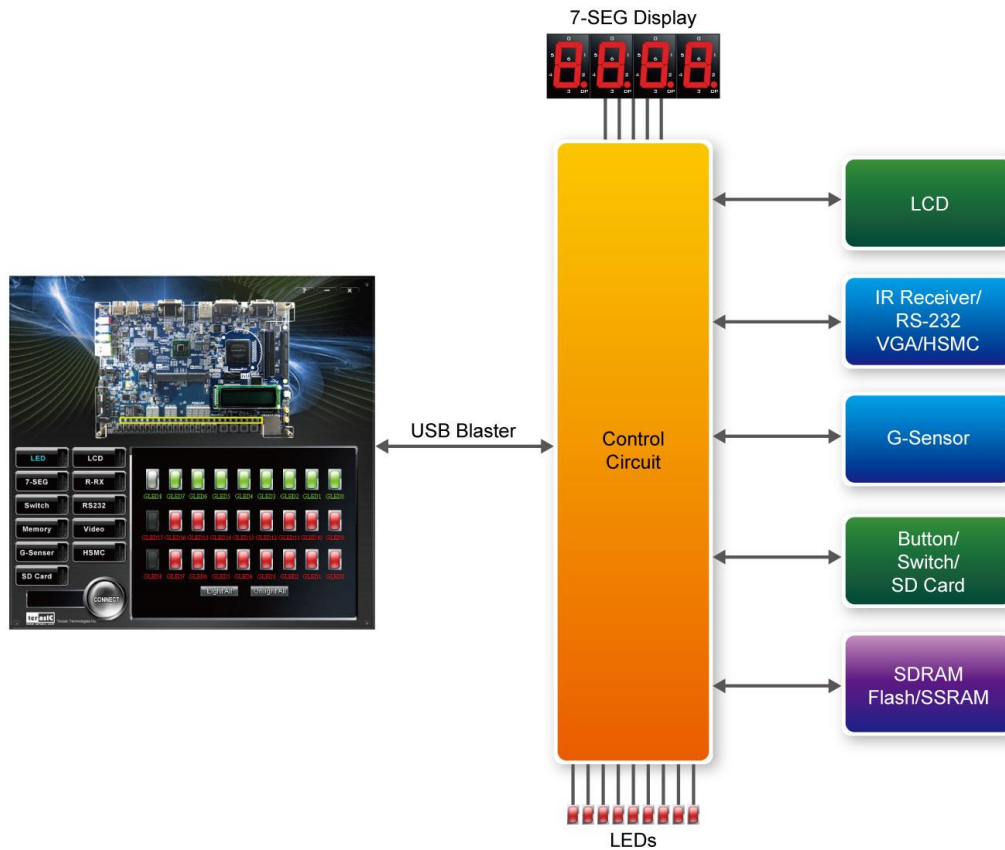


Figure 2-2 The DE2i-150 Control Panel concept

The DE2i-150 Control Panel can be used to light up LEDs, change the values displayed on 7-segment and LCD displays, monitor buttons/switches status, read/write the SDRAM, SSRAM and Flash Memory, output VGA color pattern to VGA monitor, verify functionality of HSMC connector I/Os, communicate with PC via RS-232 interface, read SD Card specification information, and display the resolution measurement of 3-axis accelerometer on the G-Sensor. The feature of reading/writing a word or an entire file from/to the Flash Memory allows the user to develop multimedia applications (Flash Audio Player, Flash Picture Viewer) without worrying about how to build a Memory Programmer.

2-2 Controlling the LEDs, 7-segment Displays and LCD Display

A simple function of the Control Panel is to allow setting the values displayed on LEDs, 7-segment displays, and the LCD character display.

Choosing the **LED** tab leads to the window in [Figure 2-3](#). Here, you can directly turn the LEDs on or off individually or by clicking “Light All” or “Unlight All”.

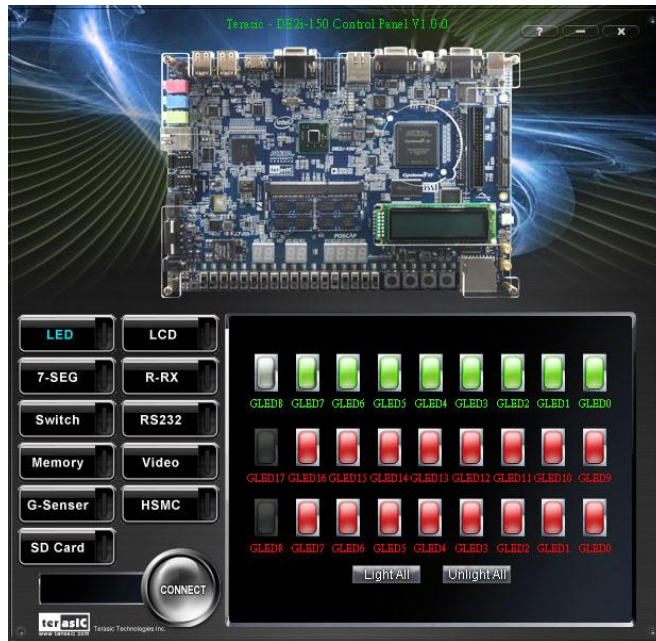


Figure 2-3 Controlling LEDs

Choosing the 7-SEG tab leads to the window shown in **Figure 2-4**. From the window, directly use the left-right arrows to control the 7-SEG patterns on the DE2i-150 board which are updated immediately. Note that the dots of the 7-SEGs are not enabled on DE2i-150 board.



Figure 2-4 Controlling 7-SEG display

Choosing the LCD tab leads to the window in **Figure 2-5**. Text can be written to the LCD display by typing it in the LCD box then pressing the Set button.



Figure 2-5 Controlling the LCD display

The ability to set arbitrary values into simple display devices is not needed in typical design activities. However, it gives users a simple mechanism for verifying that these devices are functioning correctly in case a malfunction is suspected. Thus, it can be used for troubleshooting purposes.

2-3 Switches and Push-buttons

Choosing the Switches tab leads to the window in **Figure 2-6**. The function is designed to monitor the status of slide switches and push-buttons in real time and show the status in a graphical user interface. It can be used to verify the functionality of the slide switches and push-buttons.



Figure 2-6 Monitoring switches and buttons

The ability to check the status of push-button and slide switch is not needed in typical design activities. However, it provides users a simple mechanism for verifying if the buttons and switches are functioning correctly. Thus, it can be used for troubleshooting purposes.

2-4 SDRAM/SSRAM/Flash Controller and Programmer

The Control Panel can be used to write/read data to/from the SDRAM, SSRAM and Flash chips on the DE2i-150 board. As an example, we will describe how the SDRAM may be accessed; the same approach is used to access the SSRAM, and Flash. Click on the Memory tab and select “SDRAM” to reach the window in [Figure 2-7](#).

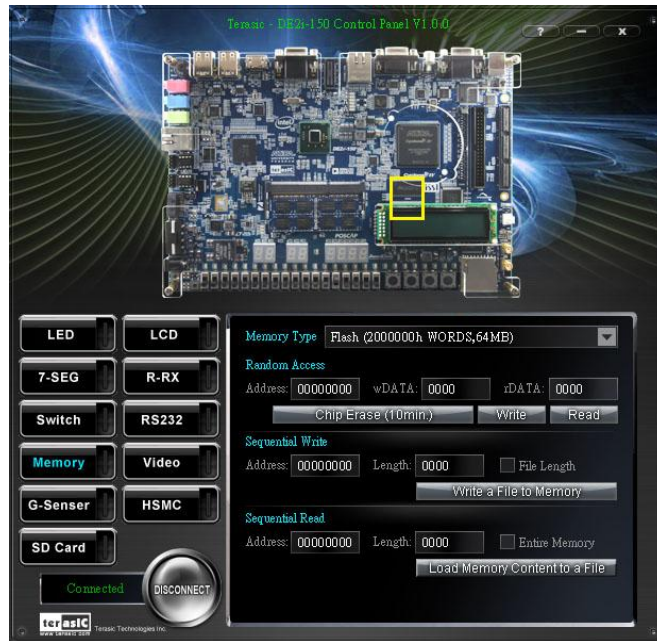


Figure 2-7 Accessing the SDRAM

A 16-bit word can be written into the SDRAM by entering the address of the desired location, specifying the data to be written, and pressing the Write button. Contents of the location can be read by pressing the Read button. **Figure 2-7** depicts the result of writing the hexadecimal value 06CA into offset address 200, followed by reading the same location.

The Sequential Write function of the Control Panel is used to write the contents of a file into the SDRAM as follows:

1. Specify the starting address in the Address box.
2. Specify the number of bytes to be written in the Length box. If the entire file is to be loaded, then a checkmark may be placed in the File Length box instead of giving the number of bytes.
3. To initiate the writing process, click on the Write a File to Memory button.
4. When the Control Panel responds with the standard Windows dialog box asking for the source file, specify the desired file in the usual manner.

The Control Panel also supports loading files with a .hex extension. Files with a .hex extension are ASCII text files that specify memory values using ASCII characters to represent hexadecimal values. For example, a file containing the line

```
0123456789ABCDEF
```

Defines eight 8-bit values: 01, 23, 45, 67, 89, AB, CD, EF. These values will be loaded consecutively into the memory.

The Sequential Read function is used to read the contents of the SDRAM and fill them into a file as follows:

1. Specify the starting address in the Address box.
2. Specify the number of bytes to be copied into the file in the Length box. If the entire contents of the SDRAM are to be copied (which involves all 128 Mbytes), then place a checkmark in the Entire Memory box.
3. Press Load Memory Content to a File button.
4. When the Control Panel responds with the standard Windows dialog box asking for the destination file, specify the desired file in the usual manner.

Users can use the similar way to access the SSRAM and Flash. Please note that users need to erase the Flash before writing data to it.

2-5 SD Card

The function is designed to read the identification and specification information of the SD Card. The 4-bit SD MODE is used to access the SD Card. This function can be used to verify the functionality of the SD Card Interface. Follow the steps below to perform the SD Card exercise:

1. Choosing the SD Card tab leads to the window in **Figure 2-8**.
2. Insert an SD Card to the DE2i-150 board, and then press the Read button to read the SD Card. The SD Card's identification, specification, and file format information will be displayed in the control window.



Figure 2-8 Reading the SD Card Identification and Specification

2-6 RS-232 Communication

The Control Panel allows users to verify the operation of the RS-232 serial communication interface on the DE2i-150. The setup is established by connecting a RS-232 9-pin male to female cable from the PC to the RS-232 port where the Control Panel communicates to the terminal emulator software on the PC, or vice versa. Alternatively, a RS-232 loopback cable can also be used if you do not wish to use the PC to verify the test. The Receive terminal window on the Control Panel monitors the serial communication status. Follow the steps below to initiate the RS-232 communication:

1. Choosing the RS-232 tab leads to the window in [Figure 2-9](#).
2. Plug in a RS-232 9-pin male to female cable from PC to RS-232 port or a RS-232 loopback cable directly to RS-232 port.
3. The RS-232 settings are provided below in case a connection from the PC is used:
 - Baud Rate: 115200
 - Parity Check Bit: None
 - Data Bits: 8
 - Stop Bits: 1
 - Flow Control (CTS/RTS): ON
4. To begin the communication, enter specific letters followed by clicking Send. During the communication process, observe the status of the Receive terminal window to verify its operation.



Figure 2-9 RS-232 Serial Communication

2-7 VGA

DE2i-150 Control Panel provides VGA pattern function that allows users to output color pattern to LCD/CRT monitor using the DE2i-150 board. Follow the steps below to generate the VGA pattern function:

1. Choosing the Video tab leads to the window in **Figure 2-10**.
2. Plug a D-sub cable to VGA connector of the DE2i-150 board and LCD/CRT monitor.
3. The LCD/CRT monitor will display the same color pattern on the control panel window.
4. Click the drop down menu shown in **Figure 2-10** where you can output the selected color individually.

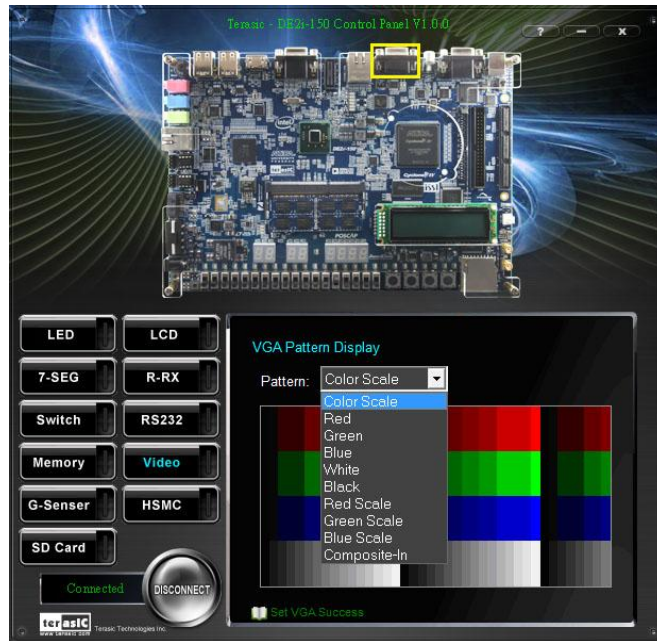


Figure 2-10 Controlling VGA display

2-8 HSMC

Select the HSMC tab to reach the window shown in **Figure 2-11**. This function is designed to verify the functionality of the signals located on the HSMC connector. Before running the HSMC loopback verification test, follow the instruction noted under the Loopback Installation section and click on Verify. Please note to turn off the DE2i-150 board before the HSMC loopback adapter is installed to prevent any damage to the board.

The HSMC loopback adapter is not provided in the kit package but can be purchased through the website below:

(<http://www.terasic.com.tw/cgi-bin/page/archive.pl?Language=English&CategoryNo=78&No=495>)



Figure 2-11 HSMC loopback verification test performed under Control Panel

2-9 IR Receiver

From the control panel, we can test the IR receiver on the DE2i-150 by sending scan code from a remote controller. **Figure 2-12** depicts the IR receiver window when the IR tab is pressed. When the scan code is received, the information will be displayed on the IR Receiver window represented in hexadecimal. Also, the pressed button on the remote controller will be indicated on the graphic of remote controller on the IR receiver window. Note that there exists several encoding form among different brands of remote controllers. Only the remote controller comes with the kit is confirmed to be compatible with this software.



Figure 2-12 Testing the IR receiver using remote controller

2-10 G-Sensor

On the DE2i-150 board, the G-sensor function is being demonstrated by Spirit level .The user can rotate the DE2i-150 board to different directions, up or down, left or right. The bubble will travel quickly following your manners. Meanwhile, the control panel will show the accelerated data in x-axis, y-axis and z-axis as shown in [Figure 2-12](#).

Note that the resolution measurement of 3-axis accelerometer is set to +- 2g



Figure 2-13 Testing the G-sensor

2-11 Overall Structure of the DE2i-150 Control Panel

The DE2i-150 Control Panel is based on a Nios II SOPC system instantiated in the Cyclone IV GX FPGA with software running on the on-chip memory. The software part is implemented in C code; the hardware part is implemented in Verilog HDL code with SOPC builder. The source code is not available on the DE2i_150 System CD.

To run the Control Panel, users should make the configuration according to Section 3.1. **Figure 2-14** depicts the structure of the Control Panel. Each input/output device is controlled by the Nios II Processor instantiated in the FPGA chip. The communication with the PC is done via the USB Blaster link. The Nios II interprets the commands sent from the PC and performs the corresponding actions.

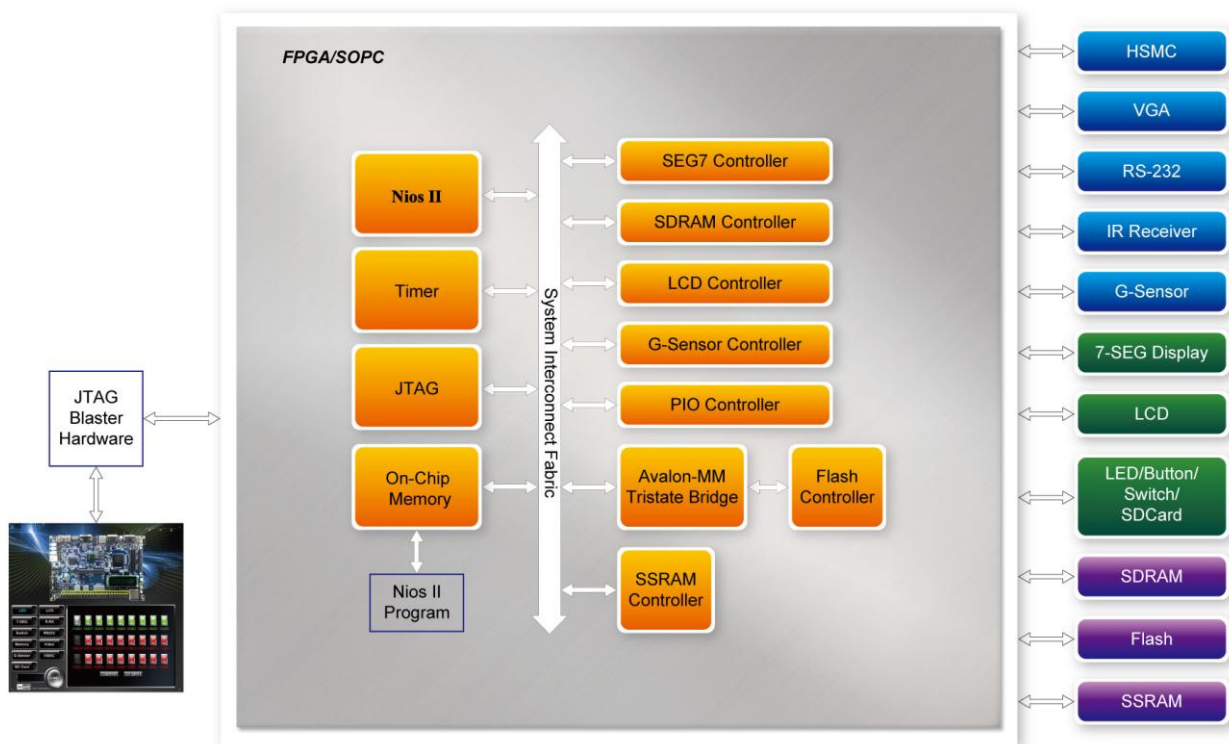


Figure 2-14 The block diagram of the DE2i-150 control panel

Using the DE2i-150 Board

This chapter gives instructions for using the DE2i-150 board and describes each of its peripherals.

3-1 Monitor Function for the Status of FPGA Configuration

In the DE2i-150 power up sequence, there is a monitor circuit that monitors the status of the FPGA configuration. After it confirms the configuration is complete, the power up sequence will go to next state. If the configuration is not complete, the CPU will not initiate.

There is a 2-position dip-switch (SW20, as shown in Figure 3.1) on this circuit, which can be used for two settings.

The first switch configures TIMEOUT, which sets a timer in the monitor circuit to ignore any FPGA configuration failure. When the counter goes to the set value, the power up sequence state continue powering up the CPU regardless of whether the FPGA has not been configured normally or not.

The second switch position configures CPU_DIS, which disables CPU power up.

Table 3-1 shows the detailed setting for SW20.

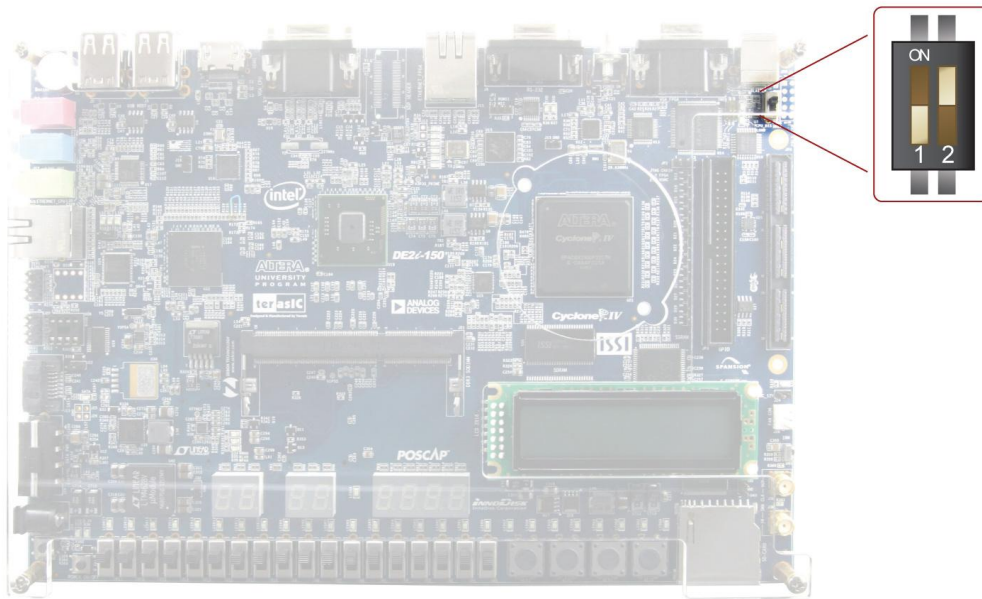


Figure 3-1 The Power Up Sequence Control Switch

Table 3-1 Switch Setting for SW20

<i>Position Switch Name</i>	<i>Function for Turning to “ON” Position</i>
TIMEOUT	Enable the timeout function
CPU_DIS	Disable CPU function



Note: If there is no image file stored in the configuration device (EPCS), the monitor circuit will pass the status as a successful configuration

3-2 Configuring the Cyclone IV GX FPGA

The procedure for downloading a circuit from a host computer to the DE2i-150 board is described in the tutorial *Quartus II Introduction*. This tutorial is found in the DE2i_150_tutorials folder on the DE2i-150 System CD. The user is encouraged to read the tutorial first, and treat the information below as a short reference.

The DE2i-150 board contains a serial configuration device that stores configuration data for the Cyclone IV GX FPGA. This configuration data is automatically loaded from the configuration device into the FPGA every time while power is applied to the board. Using the Quartus II software, it is possible to reconfigure the FPGA at any time, and it is also possible to change the non-volatile

data that is stored in the serial configuration device. Both types of programming methods are described below.

1. **JTAG programming:** In this method of programming, named after the IEEE standards Joint Test Action Group, the configuration bit stream is downloaded directly into the Cyclone IV GX FPGA. The FPGA will retain this configuration as long as power is applied to the board; the configuration information will be lost when the power is turned off.
2. **AS programming:** In this method, called Active Serial programming, the configuration bit stream is downloaded into the Altera EPCS64 serial configuration device. It provides non-volatile storage of the bit stream, so that the information is retained even when the power supply to the DE2i-150 board is turned off. When the board's power is turned on, the configuration data in the EPCS64 device is automatically loaded into the Cyclone IV GX FPGA.

■ JTAG Chain on DE2i-150 Board

To use JTAG interface for configuring FPGA device, the JTAG chain on DE2i-150 must form a close loop that allows Quartus II programmer to detect FPGA device. **Figure 3-2** illustrates the JTAG chain on DE2i-150 board. Shorting pin1 and pin2 on JP2 can disable the JTAG signals on HSMC connector that will form a close JTAG loop chain on DE2i-150 board (See **Figure 3-3**). Thus, only the on board FPGA device (Cyclone IV GX) will be detected by Quartus II programmer. If users want to include another FPGA device or interface containing FPGA device in the chain via HSMC connector, short pin2 and pin3 on JP2 to enable the JTAG signal ports on the HSMC connector.

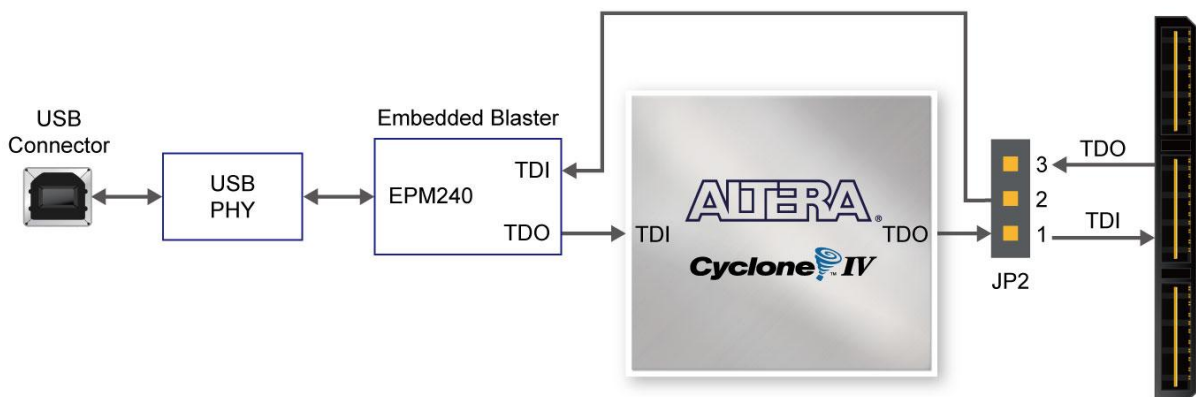


Figure 3-2 The JTAG chain on DE2i-150 board

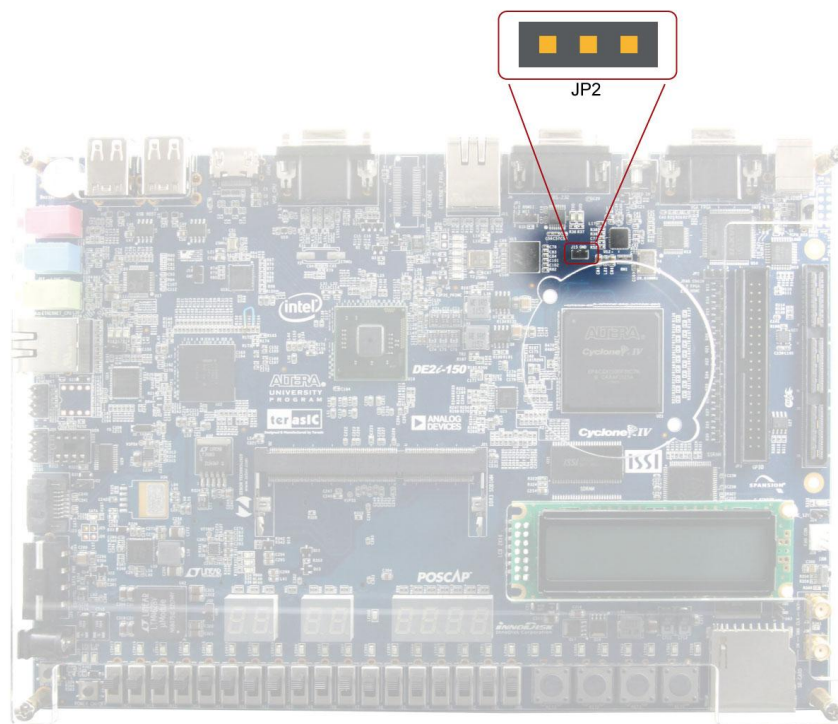


Figure 3-3 The JTAG chain configuration header

The sections below describe the steps used to perform both JTAG and AS programming. For both methods the DE2i-150 board is connected to a host computer via a USB cable. Using this connection, the board will be identified by the host computer as an Altera USB Blaster device. The process for installing on the host computer the necessary software device driver that communicates with the USB Blaster is described in the tutorial “*My_First_Fpga*”. This tutorial is available on the DE2i-150 System CD.

■ Configuring the FPGA in JTAG Mode

Figure 3-4 illustrates the JTAG configuration setup. To download a configuration bit stream into the Cyclone IV GX FPGA, perform the following steps:

- Ensure that power is applied to the DE2i-150 board
- Configure the JTAG programming circuit by setting the RUN/PROG slide switch (SW19) to the RUN position (See **Figure 3-5**)
- Connect the supplied USB cable to the USB Blaster port on the DE2i-150 board (See **Figure 1-1**)
- The FPGA can now be programmed by using the Quartus II Programmer to select a configuration bit stream file with the .sof filename extension

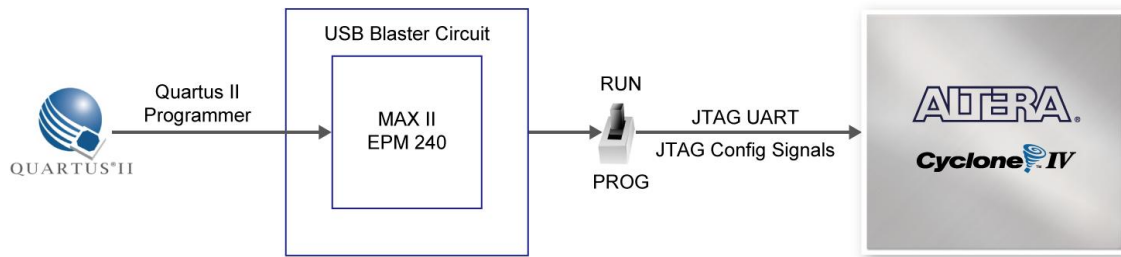


Figure 3-4 The JTAG configuration scheme

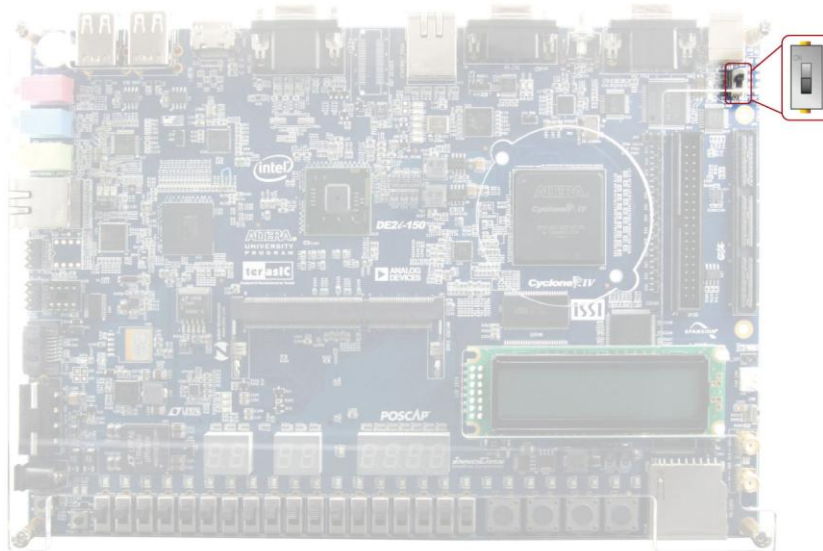


Figure 3-5 The RUN/PROG switch (SW19) is set in JTAG mode

■ Configuring the EPCS64 in AS Mode

Figure 3-6 illustrates the AS configuration setup. To download a configuration bit stream into the EPCS64 serial configuration device, perform the following steps:

- Ensure that power is applied to the DE2i-150 board.
- Connect the supplied USB cable to the USB Blaster port on the DE2i-150 board (See **Figure 3-6**)
- Configure the JTAG programming circuit by setting the RUN/PROG slide switch (SW19) to the PROG position.
- The EPCS64 chip can now be programmed by using the Quartus II Programmer to select a configuration bit stream file with the .pof filename extension.
- Once the programming operation is finished, set the RUN/PROG slide switch back to the RUN position and then reset the board by turning the power switch off and back on; this action causes the new configuration data in the EPCS64 device to be loaded into the FPGA chip.

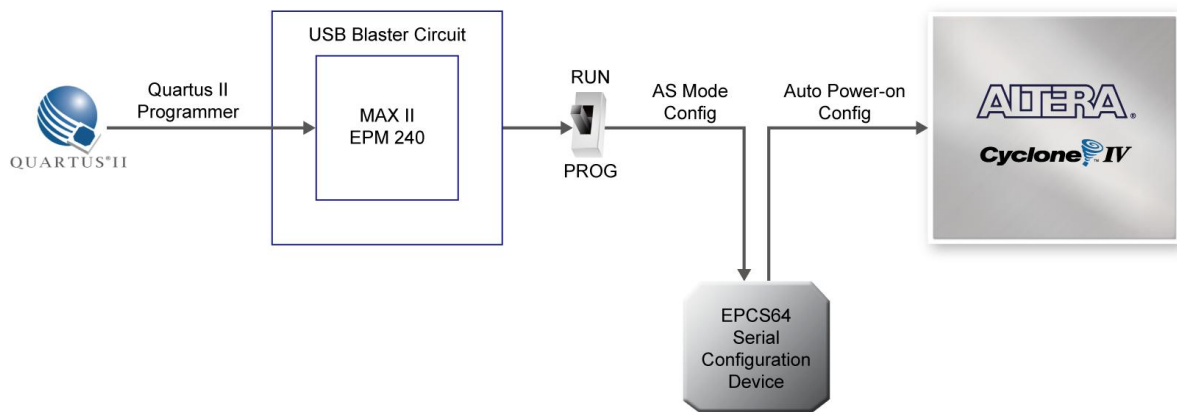


Figure 3-6 The AS configuration scheme

3-3 Using Push-buttons and Switches

The DE2i-150 board provides four push-button switches as shown in **Figure 3-7**. Each of these switches is debounced using a Schmitt Trigger circuit, as indicated in **Figure 3-8**. The four outputs called KEY0, KEY1, KEY2, and KEY3 of the Schmitt Trigger devices are connected directly to the Cyclone IV GX FPGA. Each push-button switch provides a high logic level when it is not pressed, and provides a low logic level when depressed. Since the push-button switches are debounced, they are appropriate for using as clock or reset inputs in a circuit.

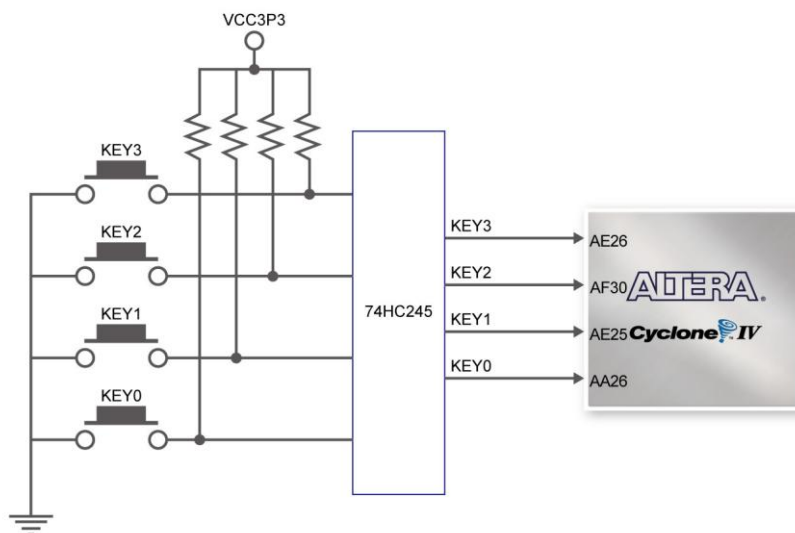


Figure 3-7 Connections between the push-button and Cyclone IV GX FPGA

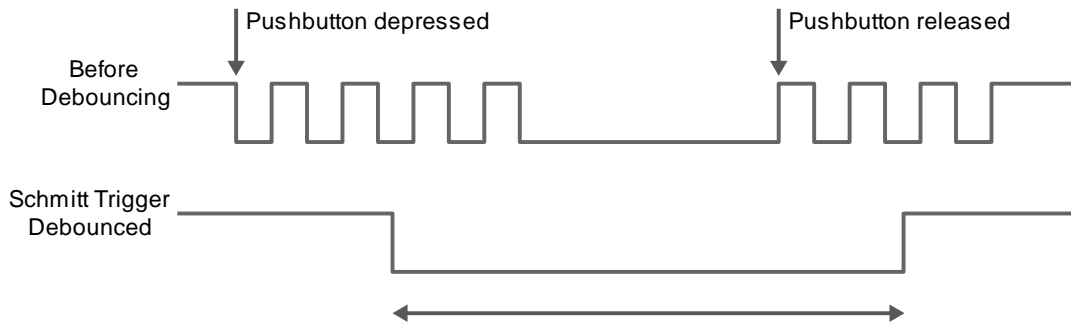


Figure 3-8 Switch debouncing

There are also 18 slide switches on the DE2i-150 board (See [Figure 3-9](#)). These switches are not debounced, and are assumed for use as level-sensitive data inputs to a circuit. Each switch is connected directly to a pin on the Cyclone IV GX FPGA. When the switch is in the DOWN position (closest to the edge of the board), it provides a low logic level to the FPGA, and when the switch is in the UP position it provides a high logic level.

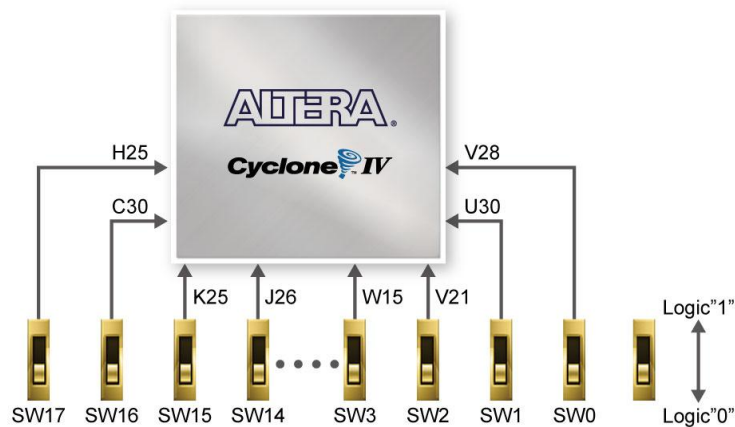


Figure 3-9 Connections between the slide switches and Cyclone IV GX FPGA

3-4 Using LEDs

There are 27 user-controllable LEDs on the DE2i-150 board. Eighteen red LEDs are situated above the 18 Slide switches, and eight green LEDs are found above the push-button switches (the 9th green LED is in the middle of the 7-segment displays). Each LED is driven directly by a pin on the Cyclone IV GX FPGA; driving its associated pin to a high logic level turns the LED on, and driving the pin low turns it off. [Figure 3-10](#) shows the connections between LEDs and Cyclone IV GX FPGA.

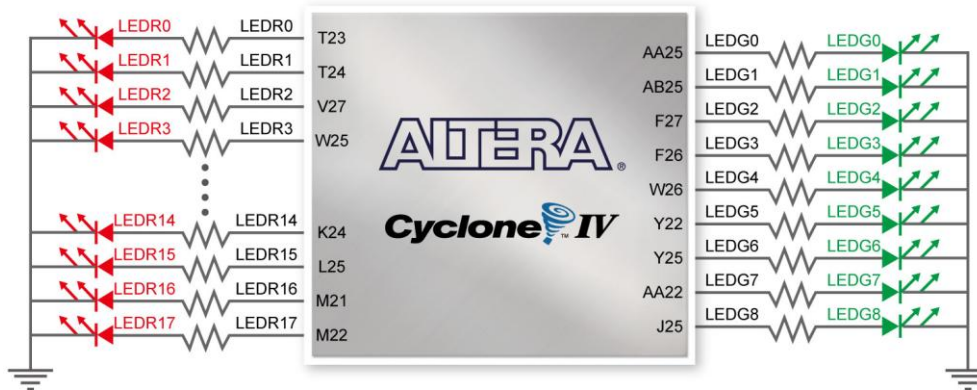


Figure 3-10 Connections between the LEDs and Cyclone IV GX FPGA

A list of the pin names on the Cyclone IV GX FPGA that are connected to the slide switches is given in [Table 3-2](#). Similarly, the pins used to connect to the push-button switches and LEDs are displayed in [Table 3-3](#) and [Table 3-4](#), respectively.

Table 3-2 Pin Assignments for Slide Switches

Signal Name	FPGA Pin No.	Description	I/O Standard
SW[0]	PIN_V28	Slide Switch[0]	2.5V
SW[1]	PIN_U30	Slide Switch[1]	2.5V
SW[2]	PIN_V21	Slide Switch[2]	2.5V
SW[3]	PIN_C2	Slide Switch[3]	2.5V
SW[4]	PIN_AB30	Slide Switch[4]	2.5V
SW[5]	PIN_U21	Slide Switch[5]	2.5V
SW[6]	PIN_T28	Slide Switch[6]	2.5V
SW[7]	PIN_R30	Slide Switch[7]	2.5V
SW[8]	PIN_P30	Slide Switch[8]	2.5V
SW[9]	PIN_R29	Slide Switch[9]	2.5V
SW[10]	PIN_R26	Slide Switch[10]	2.5V
SW[11]	PIN_N26	Slide Switch[11]	2.5V
SW[12]	PIN_M26	Slide Switch[12]	2.5V
SW[13]	PIN_N25	Slide Switch[13]	2.5V
SW[14]	PIN_J26	Slide Switch[14]	2.5V
SW[15]	PIN_K25	Slide Switch[15]	2.5V
SW[16]	PIN_C30	Slide Switch[16]	2.5V
SW[17]	PIN_H25	Slide Switch[17]	2.5V

Table 3-3 Pin Assignments for Push-buttons

Signal Name	FPGA Pin No.	Description	I/O Standard
KEY[0]	PIN_AA26	Push-button[0]	2.5V
KEY[1]	PIN_AE25	Push-button[1]	2.5V
KEY[2]	PIN_AF30	Push-button[2]	2.5V
KEY[3]	PIN_AE26	Push-button[3]	2.5V

Table 3-4 Pin Assignments for LEDs

<i>Signal Name</i>	<i>FPGA Pin No.</i>	<i>Description</i>	<i>I/O Standard</i>
LEDR[0]	PIN_T23	LED Red[0]	2.5V
LEDR[1]	PIN_T24	LED Red[1]	2.5V
LEDR[2]	PIN_V27	LED Red[2]	2.5V
LEDR[3]	PIN_W25	LED Red[3]	2.5V
LEDR[4]	PIN_T21	LED Red[4]	2.5V
LEDR[5]	PIN_T26	LED Red[5]	2.5V
LEDR[6]	PIN_R25	LED Red[6]	2.5V
LEDR[7]	PIN_T27	LED Red[7]	2.5V
LEDR[8]	PIN_P25	LED Red[8]	2.5V
LEDR[9]	PIN_R24	LED Red[9]	2.5V
LEDR[10]	PIN_P21	LED Red[10]	2.5V
LEDR[11]	PIN_N24	LED Red[11]	2.5V
LEDR[12]	PIN_N21	LED Red[12]	2.5V
LEDR[13]	PIN_M25	LED Red[13]	2.5V
LEDR[14]	PIN_K24	LED Red[14]	2.5V
LEDR[15]	PIN_L25	LED Red[15]	2.5V
LEDR[16]	PIN_M21	LED Red[16]	2.5V
LEDR[17]	PIN_M22	LED Red[17]	2.5V
LEDG[0]	PIN_AA25	LED Green[0]	2.5V
LEDG[1]	PIN_AB25	LED Green[1]	2.5V
LEDG[2]	PIN_F27	LED Green[2]	2.5V
LEDG[3]	PIN_F26	LED Green[3]	2.5V
LEDG[4]	PIN_W26	LED Green[4]	2.5V
LEDG[5]	PIN_Y22	LED Green[5]	2.5V
LEDG[6]	PIN_Y25	LED Green[6]	2.5V
LEDG[7]	PIN_AA22	LED Green[7]	2.5V
LEDG[8]	PIN_J25	LED Green[8]	2.5V

3-5 Using the 7-segment Displays

The DE2i-150 Board has eight 7-segment displays. These displays are arranged into two pairs and a group of four, behaving the intent of displaying numbers of various sizes. As indicated in the schematic in **Figure 3-11**, the seven segments (common anode) are connected to pins on Cyclone IV GX FPGA. Applying a low logic level to a segment will light it up and applying a high logic level turns it off.

Each segment in a display is identified by an index from 0 to 6, with the positions given in **Figure 3-11**. **Table 3-5** shows the assignments of FPGA pins to the 7-segment displays.

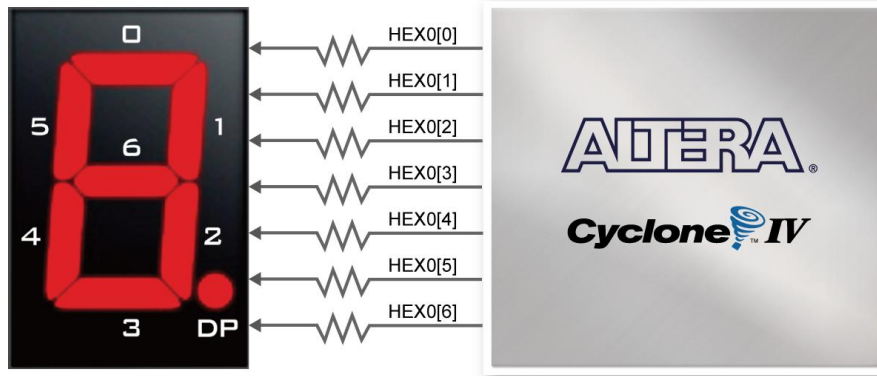


Figure 3-11 Connections between the 7-segment display HEX0 and Cyclone IV GX FPGA

Table 3-5 Pin Assignments for 7-segment Displays

Signal Name	FPGA Pin No.	Description	I/O Standard
HEX0[0]	PIN_E15	Seven Segment Digit 0[0]	2.5V
HEX0[1]	PIN_E12	Seven Segment Digit 0[1]	2.5V
HEX0[2]	PIN_G11	Seven Segment Digit 0[2]	2.5V
HEX0[3]	PIN_F11	Seven Segment Digit 0[3]	2.5V
HEX0[4]	PIN_F16	Seven Segment Digit 0[4]	2.5V
HEX0[5]	PIN_D16	Seven Segment Digit 0[5]	2.5V
HEX0[6]	PIN_F14	Seven Segment Digit 0[6]	2.5V
HEX1[0]	PIN_G14	Seven Segment Digit 1[0]	2.5V
HEX1[1]	PIN_B13	Seven Segment Digit 1[1]	2.5V
HEX1[2]	PIN_G13	Seven Segment Digit 1[2]	2.5V
HEX1[3]	PIN_F12	Seven Segment Digit 1[3]	2.5V
HEX1[4]	PIN_G12	Seven Segment Digit 1[4]	2.5V
HEX1[5]	PIN_J9	Seven Segment Digit 1[5]	2.5V
HEX1[6]	PIN_G10	Seven Segment Digit 1[6]	2.5V
HEX2[0]	PIN_G8	Seven Segment Digit 2[0]	2.5V
HEX2[1]	PIN_G7	Seven Segment Digit 2[1]	2.5V
HEX2[2]	PIN_F7	Seven Segment Digit 2[2]	2.5V
HEX2[3]	PIN_AG30	Seven Segment Digit 2[3]	2.5V
HEX2[4]	PIN_F6	Seven Segment Digit 2[4]	2.5V
HEX2[5]	PIN_F4	Seven Segment Digit 2[5]	2.5V
HEX2[6]	PIN_F10	Seven Segment Digit 2[6]	2.5V
HEX3[0]	PIN_D10	Seven Segment Digit 3[0]	2.5V
HEX3[1]	PIN_D7	Seven Segment Digit 3[1]	2.5V
HEX3[2]	PIN_E6	Seven Segment Digit 3[2]	2.5V
HEX3[3]	PIN_E4	Seven Segment Digit 3[3]	2.5V
HEX3[4]	PIN_E3	Seven Segment Digit 3[4]	2.5V
HEX3[5]	PIN_D5	Seven Segment Digit 3[5]	2.5V
HEX3[6]	PIN_D4	Seven Segment Digit 3[6]	2.5V
HEX4[0]	PIN_A14	Seven Segment Digit 4[0]	2.5V
HEX4[1]	PIN_A13	Seven Segment Digit 4[1]	2.5V

HEX4[2]	PIN_C7	Seven Segment Digit 4[2]	2.5V
HEX4[3]	PIN_C6	Seven Segment Digit 4[3]	2.5V
HEX4[4]	PIN_C5	Seven Segment Digit 4[4]	2.5V
HEX4[5]	PIN_C4	Seven Segment Digit 4[5]	2.5V
HEX4[6]	PIN_C3	Seven Segment Digit 4[6]	2.5V
HEX5[0]	PIN_D3	Seven Segment Digit 5[0]	2.5V
HEX5[1]	PIN_A10	Seven Segment Digit 5[1]	2.5V
HEX5[2]	PIN_A9	Seven Segment Digit 5[2]	2.5V
HEX5[3]	PIN_A7	Seven Segment Digit 5[3]	2.5V
HEX5[4]	PIN_A6	Seven Segment Digit 5[4]	2.5V
HEX5[5]	PIN_A11	Seven Segment Digit 5[5]	2.5V
HEX5[6]	PIN_B6	Seven Segment Digit 5[6]	2.5V
HEX6[0]	PIN_B9	Seven Segment Digit 6[0]	2.5V
HEX6[1]	PIN_B10	Seven Segment Digit 6[1]	2.5V
HEX6[2]	PIN_C8	Seven Segment Digit 6[2]	2.5V
HEX6[3]	PIN_C9	Seven Segment Digit 6[3]	2.5V
HEX6[4]	PIN_D8	Seven Segment Digit 6[4]	2.5V
HEX6[5]	PIN_D9	Seven Segment Digit 6[5]	2.5V
HEX6[6]	PIN_E9	Seven Segment Digit 6[6]	2.5V
HEX7[0]	PIN_E10	Seven Segment Digit 7[0]	2.5V
HEX7[1]	PIN_F8	Seven Segment Digit 7[1]	2.5V
HEX7[2]	PIN_F9	Seven Segment Digit 7[2]	2.5V
HEX7[3]	PIN_C10	Seven Segment Digit 7[3]	2.5V
HEX7[4]	PIN_C11	Seven Segment Digit 7[4]	2.5V
HEX7[5]	PIN_C12	Seven Segment Digit 7[5]	2.5V
HEX7[6]	PIN_D12	Seven Segment Digit 7[6]	2.5V

3-6 Clock Circuitry

The DE2i-150 board includes one oscillator that produces 50 MHz clock signal. The distributing clock signals are connected to the FPGA that are used for clocking the user logic. The board also includes two SMA connectors which can be used to connect an external clock source to the board or to drive a clock signal out through the SMA connector. In addition, all these clock inputs are connected to the phase locked loops (PLL) clock input pins of the FPGA to allow users to use these clocks as a source clock for the PLL circuit.

The clock distribution on the DE2i-150 board is shown in [Figure 3-12](#). The associated pin assignments for clock inputs to FPGA I/O pins are listed in [Table 3-6](#).

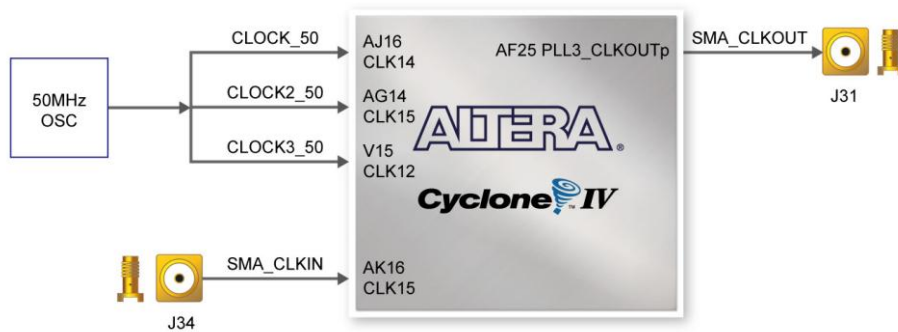


Figure 3-12 Block diagram of the clock distribution

Table 3-6 Pin Assignments for Clock Inputs

Signal Name	FPGA Pin No.	Description	I/O Standard
CLOCK_50	PIN_AJ16	50 MHz clock input	3.3V
CLOCK2_50	PIN_A15	50 MHz clock input	3.3V
CLOCK3_50	PIN_V15	50 MHz clock input	2.5V
SMA_CLKOUT	PIN_AF25	External (SMA) clock output	3.3V
SMA_CLKIN	PIN_AK16	External (SMA) clock input	3.3V

3-7 Using the LCD Module

The LCD module has built-in fonts and can be used to display text by sending appropriate commands to the display controller called HD44780. Detailed information for using the display is available in its datasheet, which can be found on the manufacturer’s website, and from the *DE2i_150_datasheets\LCD* folder on the DE2i-150 System CD. A schematic diagram of the LCD module showing connections to the Cyclone IV GX FPGA is given in [Figure 3-13](#). The associated pin assignments appear in [Table 3-7](#).

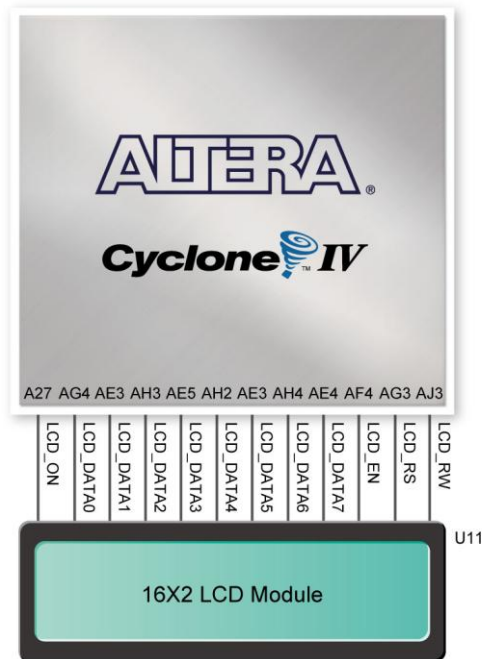


Figure 3-13 Connections between the LCD module and Cyclone IV GX FPGA

Table 3-7 Pin Assignments for LCD Module

Signal Name	FPGA Pin No.	Description	I/O Standard
LCD_DATA[7]	PIN_AE4	LCD Data[7]	3.3V
LCD_DATA[6]	PIN_AH4	LCD Data[6]	3.3V
LCD_DATA[5]	PIN_AE3	LCD Data[5]	3.3V
LCD_DATA[4]	PIN_AH2	LCD Data[4]	3.3V
LCD_DATA[3]	PIN_AE5	LCD Data[3]	3.3V
LCD_DATA[2]	PIN_AH3	LCD Data[2]	3.3V
LCD_DATA[1]	PIN_AF3	LCD Data[1]	3.3V
LCD_DATA[0]	PIN_AG4	LCD Data[0]	3.3V
LCD_EN	PIN_AF4	LCD Enable	3.3V
LCD_RW	PIN_AJ3	LCD Read/Write Select, 0 = Write, 1 = Read	3.3V
LCD_RS	PIN_AG3	LCD Command/Data Select, 0 = Command, 1 = Data	3.3V
LCD_ON	PIN_AF27	LCD Power ON/OFF	2.5V

3-8 High Speed Mezzanine Card

The DE2i-150 development board contains a HSMC interface to provide a mechanism for extending the peripheral-set of a FPGA host board by means of add-on cards. This can address

today's high speed signaling requirement as well as low-speed device interface support. The HSMC interface support JTAG, clock outputs and inputs, high speed LVDS and single-ended signaling. The HSMC connector connects directly to the Cyclone IV GX FPGA with 82 pins. **Table 3-8** shows the maximum power consumption of the daughter card that connects to HSMC port.

Table 3-8 Power Supply of the HSMC

Supplied Voltage	Max. Current Limit
12V	1A
3.3V	1.5A



(1).Note the current levels indicated in **Table 3-8** are based on 50% resource consumption. If the HSMC interface is utilized with design resources exceeding 50%, please notify our support (support@terasic.com).

(2). There is a specially note to the J24, which can be used to control the HSMC 12V power supply. If the user sets the J24 in the open status, the output of the HSMC 12V voltage would be cut off.

Additionally, when LVDS is used as the I/O standard of the HSMC connector, the LVDS receivers need to assemble a 100 Ohm resistor between two input signals for each pairs as shown in **Figure 3-14**. **Table 3-9** shows all the pin assignments of the HSMC connector.

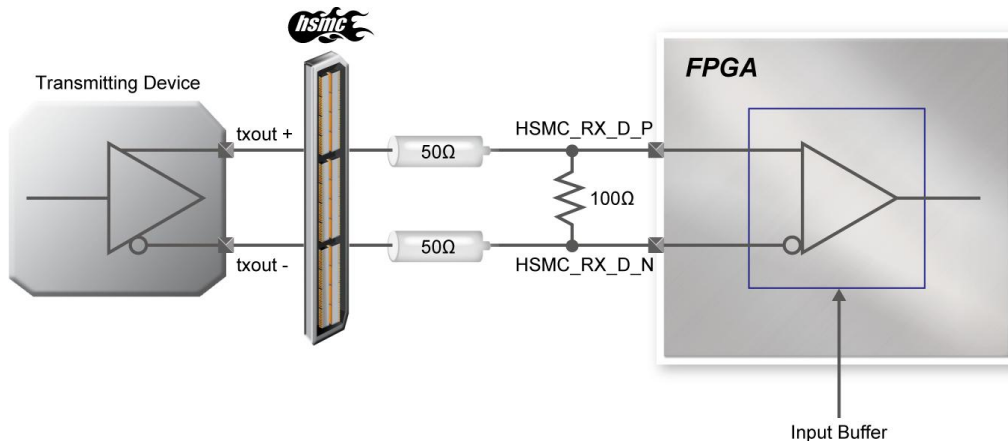


Figure 3-14 LVDS interface on HSMC connector and Cyclone IV GX FPGA

Table 3-9 Pin Assignments for HSMC connector

Signal Name	FPGA Pin No.	Description	I/O Standard
HSMC_CLKIN0	PIN_K15	Dedicated clock input	2.5V
HSMC_CLKIN_N1	PIN_V30	LVDS RX or CMOS I/O or differential clock input	2.5V
HSMC_CLKIN_N2	PIN_T30	LVDS RX or CMOS I/O or differential clock input	2.5V
HSMC_CLKIN_P1	PIN_V29	LVDS RX or CMOS I/O or differential clock input	2.5V

HSMC_CLKIN_P2	PIN_T29	LVDS RX or CMOS I/O or differential clock input	2.5V
HSMC_CLKOUT0	PIN_G6	Dedicated clock output	2.5V
HSMC_CLKOUT_N1	PIN_AB28	LVDS TX or CMOS I/O or differential clock input/output	2.5V
HSMC_CLKOUT_N2	PIN_Y28	LVDS TX or CMOS I/O or differential clock input/output	2.5V
HSMC_CLKOUT_P1	PIN_AB27	LVDS TX or CMOS I/O or differential clock input/output	2.5V
HSMC_CLKOUT_P2	PIN_AA28	LVDS TX or CMOS I/O or differential clock input/output	2.5V
HSMC_D[0]	PIN_AC25	LVDS TX or CMOS I/O	2.5V
HSMC_D[1]	PIN_E27	LVDS RX or CMOS I/O	2.5V
HSMC_D[2]	PIN_AB26	LVDS TX or CMOS I/O	2.5V
HSMC_D[3]	PIN_E28	LVDS RX or CMOS I/O	2.5V
HSMC_RX_D_N[0]	PIN_G27	LVDS RX bit 0n or CMOS I/O	2.5V
HSMC_RX_D_N[1]	PIN_G29	LVDS RX bit 1n or CMOS I/O	2.5V
HSMC_RX_D_N[2]	PIN_H27	LVDS RX bit 2n or CMOS I/O	2.5V
HSMC_RX_D_N[3]	PIN_K29	LVDS RX bit 3n or CMOS I/O	2.5V
HSMC_RX_D_N[4]	PIN_L28	LVDS RX bit 4n or CMOS I/O	2.5V
HSMC_RX_D_N[5]	PIN_M28	LVDS RX bit 5n or CMOS I/O	2.5V
HSMC_RX_D_N[6]	PIN_N30	LVDS RX bit 6n or CMOS I/O	2.5V
HSMC_RX_D_N[7]	PIN_P28	LVDS RX bit 7n or CMOS I/O	2.5V
HSMC_RX_D_N[8]	PIN_R28	LVDS RX bit 8n or CMOS I/O	2.5V
HSMC_RX_D_N[9]	PIN_U28	LVDS RX bit 9n or CMOS I/O	2.5V
HSMC_RX_D_N[10]	PIN_W28	LVDS RX bit 10n or CMOS I/O	2.5V
HSMC_RX_D_N[11]	PIN_W30	LVDS RX bit 11n or CMOS I/O	2.5V
HSMC_RX_D_N[12]	PIN_M30	LVDS RX bit 12n or CMOS I/O	2.5V
HSMC_RX_D_N[13]	PIN_Y27	LVDS RX bit 13n or CMOS I/O	2.5V
HSMC_RX_D_N[14]	PIN_AA29	LVDS RX bit 14n or CMOS I/O	2.5V
HSMC_RX_D_N[15]	PIN_AD28	LVDS RX bit 15n or CMOS I/O	2.5V
HSMC_RX_D_N[16]	PIN_AE28	LVDS RX bit 16n or CMOS I/O	2.5V
HSMC_RX_D_P[0]	PIN_G26	LVDS RX bit 0 or CMOS I/O	2.5V
HSMC_RX_D_P[1]	PIN_G28	LVDS RX bit 1 or CMOS I/O	2.5V
HSMC_RX_D_P[2]	PIN_J27	LVDS RX bit 2 or CMOS I/O	2.5V
HSMC_RX_D_P[3]	PIN_K28	LVDS RX bit 3 or CMOS I/O	2.5V
HSMC_RX_D_P[4]	PIN_L27	LVDS RX bit 4 or CMOS I/O	2.5V
HSMC_RX_D_P[5]	PIN_M27	LVDS RX bit 5 or CMOS I/O	2.5V
HSMC_RX_D_P[6]	PIN_N29	LVDS RX bit 6 or CMOS I/O	2.5V
HSMC_RX_D_P[7]	PIN_P27	LVDS RX bit 7 or CMOS I/O	2.5V
HSMC_RX_D_P[8]	PIN_R27	LVDS RX bit 8 or CMOS I/O	2.5V
HSMC_RX_D_P[9]	PIN_U27	LVDS RX bit 9 or CMOS I/O	2.5V
HSMC_RX_D_P[10]	PIN_W27	LVDS RX bit 10 or CMOS I/O	2.5V
HSMC_RX_D_P[11]	PIN_W29	LVDS RX bit 11 or CMOS I/O	2.5V
HSMC_RX_D_P[12]	PIN_M29	LVDS RX bit 12 or CMOS I/O	2.5V
HSMC_RX_D_P[13]	PIN_AA27	LVDS RX bit 13 or CMOS I/O	2.5V
HSMC_RX_D_P[14]	PIN_AB29	LVDS RX bit 14 or CMOS I/O	2.5V
HSMC_RX_D_P[15]	PIN_AD27	LVDS RX bit 15 or CMOS I/O	2.5V
HSMC_RX_D_P[16]	PIN_AE27	LVDS RX bit 16 or CMOS I/O	2.5V
HSMC_TX_D_N[0]	PIN_H28	LVDS TX bit 0n or CMOS I/O	2.5V

HSMC_TX_D_N[1]	PIN_F29	LVDS TX bit 1n or CMOS I/O	2.5V
HSMC_TX_D_N[2]	PIN_D30	LVDS TX bit 2n or CMOS I/O	2.5V
HSMC_TX_D_N[3]	PIN_E30	LVDS TX bit 3n or CMOS I/O	2.5V
HSMC_TX_D_N[4]	PIN_G30	LVDS TX bit 4n or CMOS I/O	2.5V
HSMC_TX_D_N[5]	PIN_J30	LVDS TX bit 5n or CMOS I/O	2.5V
HSMC_TX_D_N[6]	PIN_K27	LVDS TX bit 6n or CMOS I/O	2.5V
HSMC_TX_D_N[7]	PIN_K30	LVDS TX bit 7n or CMOS I/O	2.5V
HSMC_TX_D_N[8]	PIN_T25	LVDS TX bit 8n or CMOS I/O	2.5V
HSMC_TX_D_N[9]	PIN_N28	LVDS TX bit 9n or CMOS I/O	2.5V
HSMC_TX_D_N[10]	PIN_V26	LVDS TX bit 10n or CMOS I/O	2.5V
HSMC_TX_D_N[11]	PIN_Y30	LVDS TX bit 11n or CMOS I/O	2.5V
HSMC_TX_D_N[12]	PIN_AC28	LVDS TX bit 12n or CMOS I/O	2.5V
HSMC_TX_D_N[13]	PIN_AD30	LVDS TX bit 13n or CMOS I/O	2.5V
HSMC_TX_D_N[14]	PIN_AE30	LVDS TX bit 14n or CMOS I/O	2.5V
HSMC_TX_D_N[15]	PIN_AH30	LVDS TX bit 15n or CMOS I/O	2.5V
HSMC_TX_D_N[16]	PIN_AG29	LVDS TX bit 16n or CMOS I/O	2.5V
HSMC_TX_D_P[0]	PIN_J28	LVDS TX bit 0 or CMOS I/O	2.5V
HSMC_TX_D_P[1]	PIN_F28	LVDS TX bit 1 or CMOS I/O	2.5V
HSMC_TX_D_P[2]	PIN_D29	LVDS TX bit 2 or CMOS I/O	2.5V
HSMC_TX_D_P[3]	PIN_F30	LVDS TX bit 3 or CMOS I/O	2.5V
HSMC_TX_D_P[4]	PIN_H30	LVDS TX bit 4 or CMOS I/O	2.5V
HSMC_TX_D_P[5]	PIN_J29	LVDS TX bit 5 or CMOS I/O	2.5V
HSMC_TX_D_P[6]	PIN_K26	LVDS TX bit 6 or CMOS I/O	2.5V
HSMC_TX_D_P[7]	PIN_L30	LVDS TX bit 7 or CMOS I/O	2.5V
HSMC_TX_D_P[8]	PIN_U25	LVDS TX bit 8 or CMOS I/O	2.5V
HSMC_TX_D_P[9]	PIN_N27	LVDS TX bit 9 or CMOS I/O	2.5V
HSMC_TX_D_P[10]	PIN_V25	LVDS TX bit 10 or CMOS I/O	2.5V
HSMC_TX_D_P[11]	PIN_AA30	LVDS TX bit 11 or CMOS I/O	2.5V
HSMC_TX_D_P[12]	PIN_AC27	LVDS TX bit 12 or CMOS I/O	2.5V
HSMC_TX_D_P[13]	PIN_AD29	LVDS TX bit 13 or CMOS I/O	2.5V
HSMC_TX_D_P[14]	PIN_AE29	LVDS TX bit 14 or CMOS I/O	2.5V
HSMC_TX_D_P[15]	PIN_AJ30	LVDS TX bit 15 or CMOS I/O	2.5V
HSMC_TX_D_P[16]	PIN_AH29	LVDS TX bit 16 or CMOS I/O	2.5V

3-9 Using the Expansion Header

The DE2i-150 Board provides one 40-pin expansion header. The header connects directly to 36 pins of the Cyclone IV GX FPGA, and also provides DC +5V (VCC5), DC +3.3V (VCC3P3), and two GND pins. **Figure 3-15** shows the I/O distribution of the GPIO connector. The maximum power consumption of the daughter card that connects to GPIO port is shown in **Table 3-10**.

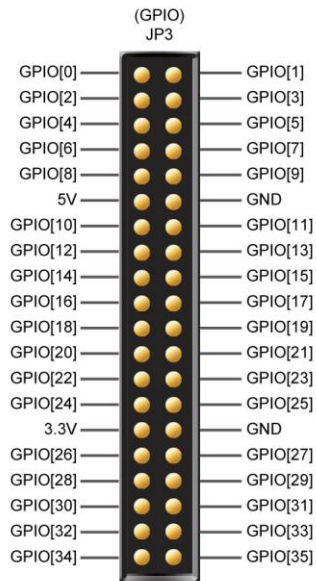


Figure 3-15 GPIO Pin Arrangement

Table 3-10 Power Supply of the Expansion Header

<i>Supplied Voltage</i>	<i>Max. Current Limit</i>
5V	1A
3.3V	1.5A

Each pin on the expansion headers is connected to two diodes and a resistor that provides protection against high and low voltages. **Figure 3-16** shows the protection circuitry for only one of the pin on the header, but this circuitry is included for all 36 data pins.

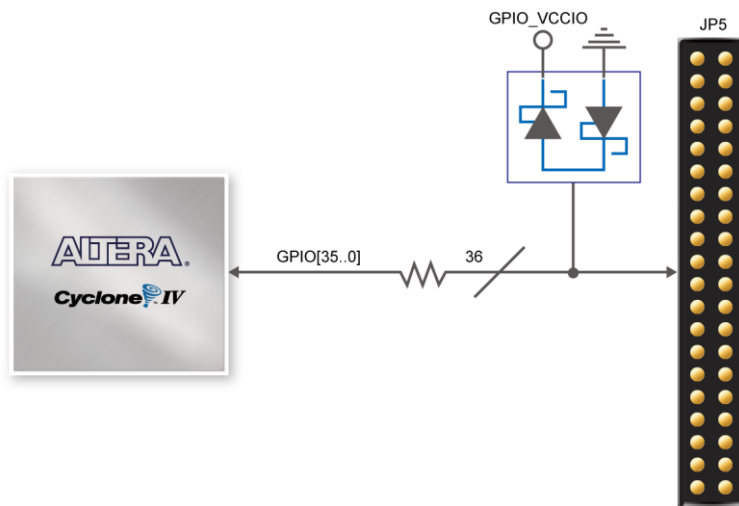


Figure 3-16 Connections between the GPIO connector and Cyclone IV GX FPGA

Table 3-11 Pin Assignments for Expansion Headers

<i>Signal Name</i>	<i>FPGA Pin No.</i>	<i>Description</i>	<i>I/O Standard</i>
GPIO[0]	PIN_G16	GPIO Connection DATA[0]	3.3V
GPIO[1]	PIN_F17	GPIO Connection DATA[1]	3.3V
GPIO[2]	PIN_D18	GPIO Connection DATA[2]	3.3V
GPIO[3]	PIN_F18	GPIO Connection DATA[3]	3.3V
GPIO[4]	PIN_D19	GPIO Connection DATA[4]	3.3V
GPIO[5]	PIN_K21	GPIO Connection DATA[5]	3.3V
GPIO[6]	PIN_F19	GPIO Connection DATA[6]	3.3V
GPIO[7]	PIN_K22	GPIO Connection DATA[7]	3.3V
GPIO[8]	PIN_B21	GPIO Connection DATA[8]	3.3V
GPIO[9]	PIN_C21	GPIO Connection DATA[9]	3.3V
GPIO[10]	PIN_D22	GPIO Connection DATA[10]	3.3V
GPIO[11]	PIN_D21	GPIO Connection DATA[11]	3.3V
GPIO[12]	PIN_D23	GPIO Connection DATA[12]	3.3V
GPIO[13]	PIN_D24	GPIO Connection DATA[13]	3.3V
GPIO[14]	PIN_B28	GPIO Connection DATA[14]	3.3V
GPIO[15]	PIN_C25	GPIO Connection DATA[15]	3.3V
GPIO[16]	PIN_C26	GPIO Connection DATA[16]	3.3V
GPIO[17]	PIN_D28	GPIO Connection DATA[17]	3.3V
GPIO[18]	PIN_D25	GPIO Connection DATA[18]	3.3V
GPIO[19]	PIN_F20	GPIO Connection DATA[19]	3.3V
GPIO[20]	PIN_E21	GPIO Connection DATA[20]	3.3V
GPIO[21]	PIN_F23	GPIO Connection DATA[21]	3.3V
GPIO[22]	PIN_G20	GPIO Connection DATA[22]	3.3V
GPIO[23]	PIN_F22	GPIO Connection DATA[23]	3.3V
GPIO[24]	PIN_G22	GPIO Connection DATA[24]	3.3V
GPIO[25]	PIN_G24	GPIO Connection DATA[25]	3.3V
GPIO[26]	PIN_G23	GPIO Connection DATA[26]	3.3V
GPIO[27]	PIN_A25	GPIO Connection DATA[27]	3.3V
GPIO[28]	PIN_A26	GPIO Connection DATA[28]	3.3V
GPIO[29]	PIN_A19	GPIO Connection DATA[29]	3.3V
GPIO[30]	PIN_A28	GPIO Connection DATA[30]	3.3V
GPIO[31]	PIN_A27	GPIO Connection DATA[31]	3.3V
GPIO[32]	PIN_B30	GPIO Connection DATA[32]	3.3V
GPIO[33]	PIN_AG28	GPIO Connection DATA[33]	3.3V
GPIO[34]	PIN_AG26	GPIO Connection DATA[34]	3.3V
GPIO[35]	PIN_Y21	GPIO Connection DATA[35]	3.3V

3-10 Using VGA

The DE2i-150 board includes a 15-pin D-SUB connector for VGA output. The VGA

synchronization signals are provided directly from the Cyclone IV GX FPGA, and the Analog Devices ADV7123 triple 10-bit high-speed video DAC (only the higher 8-bits are used) is used to produce the analog data signals (red, green, and blue). It could support the SXGA standard (1280*1024) with a bandwidth of 100MHz. **Figure 3-17** gives the associated schematic.

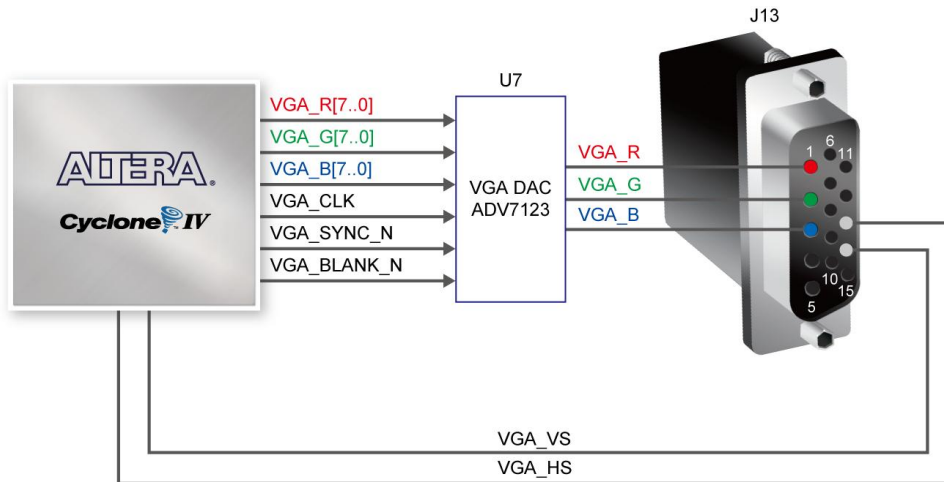


Figure 3-17 Connections between FPGA and VGA

The timing specification for VGA synchronization and RGB (red, green, blue) data can be found on various educational website (for example, search for “VGA signal timing”). **Figure 3-18** illustrates the basic timing requirements for each row (horizontal) that is displayed on a VGA monitor. An active-low pulse of specific duration (time (a) in the figure) is applied to the horizontal synchronization (hsync) input of the monitor, which signifies the end of one row of data and the start of the next. The data (RGB) output to the monitor must be off (driven to 0 V) for a time period called the back porch (b) after the hsync pulse occurs, which is followed by the display interval (c). During the data display interval the RGB data drives each pixel in turn across the row being displayed. Finally, there is a time period called the front porch (d) where the RGB signals must again be off before the next hsync pulse can occur. The timing of the vertical synchronization (vsync) is the similar as shown in **Figure 3-18**, except that a vsync pulse signifies the end of one frame and the start of the next, and the data refers to the set of rows in the frame (horizontal timing). **Table 3-12** and **Table 3-13** show different resolutions and durations of time periods a, b, c, and d for both horizontal and vertical timing.

Detailed information for using the ADV7123 video DAC is available in its datasheet, which can be found on the manufacturer’s website, or in the DE2i_150_datasheets\VIDEO-DAC folder on the DE2i-150 System CD. The pin assignments between the Cyclone IV GX FPGA and the ADV7123 are listed in

Table 3-14. An example of code that drives a VGA display is described in Sections 6.2 and 6.3.



Note: The RGB data bus on DE2i-150 board is 8 bit instead of 10 bit on DE2/DE2-70 board.

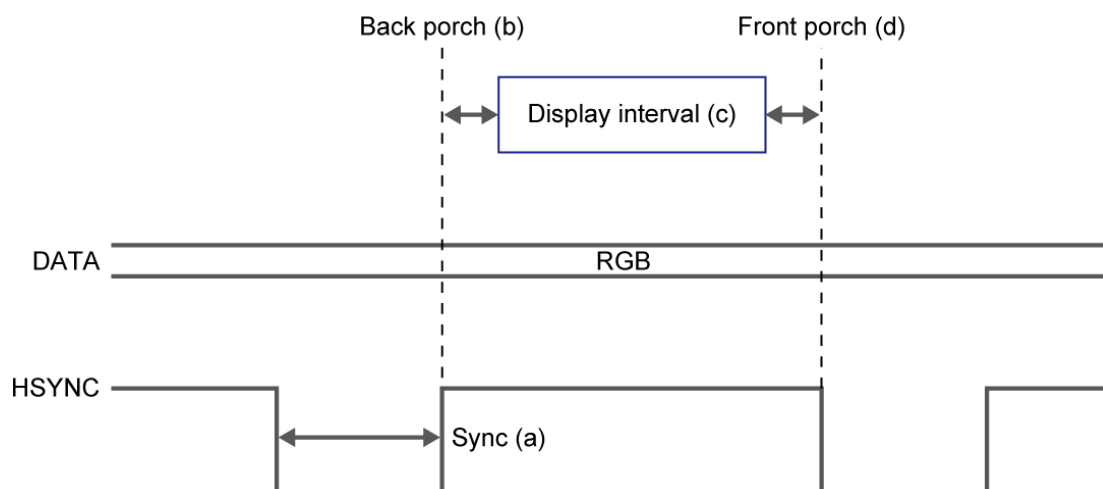


Figure 3-18 VGA horizontal timing specification

Table 3-12 VGA Horizontal Timing Specification

VGA mode		Horizontal Timing Spec				
Configuration	Resolution(HxV)	a(us)	b(us)	c(us)	d(us)	Pixel clock(MHz)
VGA(60Hz)	640x480	3.8	1.9	25.4	0.6	25
VGA(85Hz)	640x480	1.6	2.2	17.8	1.6	36
SVGA(60Hz)	800x600	3.2	2.2	20	1	40
SVGA(75Hz)	800x600	1.6	3.2	16.2	0.3	49
SVGA(85Hz)	800x600	1.1	2.7	14.2	0.6	56
XGA(60Hz)	1024x768	2.1	2.5	15.8	0.4	65
XGA(70Hz)	1024x768	1.8	1.9	13.7	0.3	75
XGA(85Hz)	1024x768	1.0	2.2	10.8	0.5	95
1280x1024(60Hz)	1280x1024	1.0	2.3	11.9	0.4	108

Table 3-13 VGA Vertical Timing Specification

VGA mode		Vertical Timing Spec				
Configuration	Resolution(HxV)	a(lines)	b(lines)	c(lines)	d(lines)	Pixel clock(MHz)
VGA(60Hz)	640x480	2	33	480	10	25
VGA(85Hz)	640x480	3	25	480	1	36
SVGA(60Hz)	800x600	4	23	600	1	40
SVGA(75Hz)	800x600	3	21	600	1	49
SVGA(85Hz)	800x600	3	27	600	1	56
XGA(60Hz)	1024x768	6	29	768	3	65
XGA(70Hz)	1024x768	6	29	768	3	75
XGA(85Hz)	1024x768	3	36	768	1	95
1280x1024(60Hz)	1280x1024	3	38	1024	1	108

Table 3-14 Pin Assignments for ADV7123

<i>Signal Name</i>	<i>FPGA Pin No.</i>	<i>Description</i>	<i>I/O Standard</i>
VGA_R[0]	PIN_A17	VGA Red[0]	3.3V
VGA_R[1]	PIN_C18	VGA Red[1]	3.3V
VGA_R[2]	PIN_B18	VGA Red[2]	3.3V
VGA_R[3]	PIN_A18	VGA Red[3]	3.3V
VGA_R[4]	PIN_E18	VGA Red[4]	3.3V
VGA_R[5]	PIN_E19	VGA Red[5]	3.3V
VGA_R[6]	PIN_B19	VGA Red[6]	3.3V
VGA_R[7]	PIN_C19	VGA Red[7]	3.3V
VGA_G[0]	PIN_D20	VGA Green[0]	3.3V
VGA_G[1]	PIN_C20	VGA Green[1]	3.3V
VGA_G[2]	PIN_A20	VGA Green[2]	3.3V
VGA_G[3]	PIN_K19	VGA Green[3]	3.3V
VGA_G[4]	PIN_A21	VGA Green[4]	3.3V
VGA_G[5]	PIN_F21	VGA Green[5]	3.3V
VGA_G[6]	PIN_A22	VGA Green[6]	3.3V
VGA_G[7]	PIN_B22	VGA Green[7]	3.3V
VGA_B[0]	PIN_E24	VGA Blue[0]	3.3V
VGA_B[1]	PIN_C24	VGA Blue[1]	3.3V
VGA_B[2]	PIN_B25	VGA Blue[2]	3.3V
VGA_B[3]	PIN_C23	VGA Blue[3]	3.3V
VGA_B[4]	PIN_F24	VGA Blue[4]	3.3V
VGA_B[5]	PIN_A23	VGA Blue[5]	3.3V
VGA_B[6]	PIN_G25	VGA Blue[6]	3.3V
VGA_B[7]	PIN_C22	VGA Blue[7]	3.3V
VGA_CLK	PIN_D27	VGA Clock	3.3V
VGA_BLANK_N	PIN_F25	VGA BLANK	3.3V
VGA_HS	PIN_B24	VGA H_SYNC	3.3V
VGA_VS	PIN_A24	VGA V_SYNC	3.3V
VGA_SYNC_N	PIN_AH20	VGA SYNC	3.3V

3-11 RS-232 Serial Port

The DE2i-150 board uses the ZT3232 transceiver chip and a 9-pin DB9 connector for RS-232 communications. For detailed information on how to use the transceiver, please refer to the datasheet, which is available on the manufacturer's website, or in the *DE2i_150_datasheets\RS-232* folder on the DE2i-150 System CD. **Figure 3-19** shows the related schematics, and **Table 3-15** lists the Cyclone IV GX FPGA pin assignments.

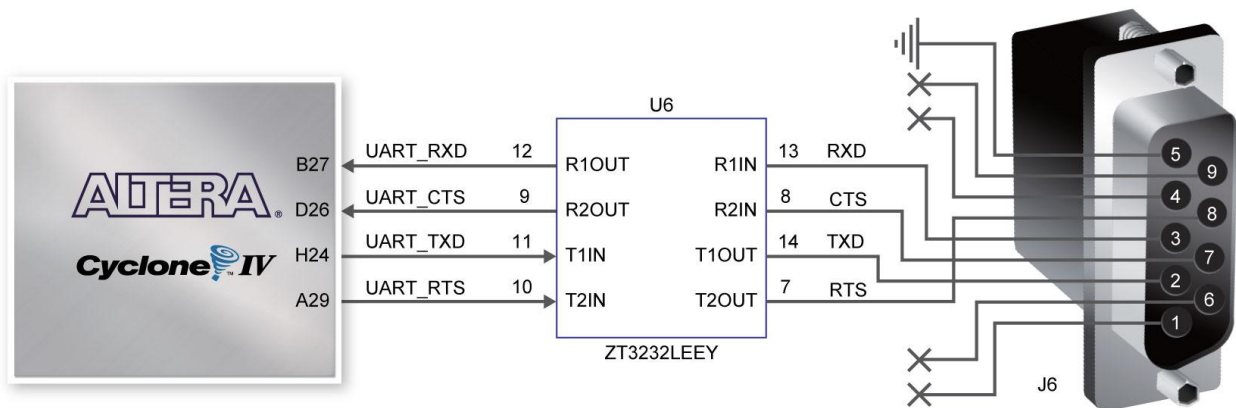


Figure 3-19 Connections between FPGA and ZT3232 (RS-232) chip

Table 3-15 RS-232 Pin Assignments

Signal Name	FPGA Pin No.	Description	I/O Standard
UART_RXD	PIN_B27	UART Receiver	3.3V
UART_TXD	PIN_H24	UART Transmitter	3.3V
UART_CTS	PIN_D26	UART Clear to Send	3.3V
UART_RTS	PIN_A29	UART Request to Send	3.3V

3-12 Gigabit Ethernet Transceiver

The DE2i-150 board provides Ethernet support via a Marvell 88E1111 Ethernet PHY chip. The 88E1111 chip with integrated 10/100/1000 Mbps Gigabit Ethernet transceiver support MII/RGMII MAC interfaces. [Table 3-16](#) describes the default settings for both chips. [Figure 3-20](#) shows the connection setup between the Gigabit Ethernet PHY and FPGA.

Table 3-16 Default Configuration for Gigabit Ethernet

Configuration	Description	Default Value
PHYADDR[4:0]	PHY Address in MDIO/MDC Mode	10000 for Enet0;10001 for Enet1
ENA_PAUSE	Enable Pause	1-Default Register 4.11:10 to 11
ANEG[3:0]	Auto negotiation configuration for copper modes	1110-Auto-neg, advertise all capabilities, prefer master
ENA_XC	Enable Crossover	0-Disable
DIS_125	Disable 125MHz clock	1-Disable 125CLK
HWCFG[3:0]	Hardware Configuration Mode	1011/1111 RGMII to copper/GMII to copper
DIS_FC	Disable fiber/copper interface	1-Disable
DIS_SLEEP	Energy detect	1-Disable energy detect
SEL_TWSI	Interface select	0-Select MDC/MDIO interface
INT_POL	Interrupt polarity	1-INTn signal is active LOW
75/50OHM	Termination resistance	0-50 ohm termination for fiber

Here only RGMII and MII modes are supported on the board (The factory default mode is RGMII). There is one jumper for each chip for switching work modes from RGMII to MII (See **Figure 3-21**). You will need to perform a hardware reset after any change for enabling new settings. **Table 3-17** and **Table 3-17** describe the working mode settings for the PHY (U8).

In addition, it is dynamically configurable to support 10Mbps, 100Mbps (Fast Ethernet) or 1000Mbps (Gigabit Ethernet) operation using standard Cat 5e UTP cabling. The associated pin assignments are listed in **Table 3-18**. For detailed information on how to use the 88E1111 refers to its datasheet and application notes, which are available on the manufacturer’s website.

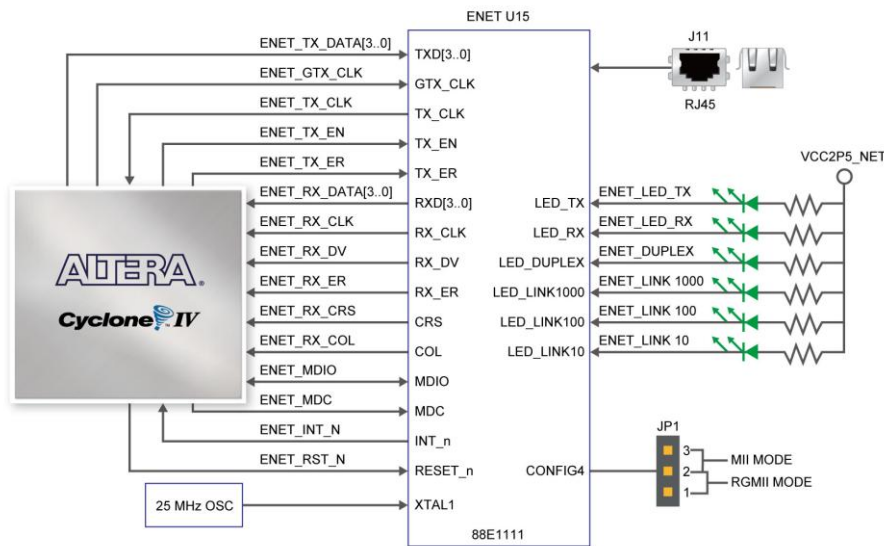


Figure 3-20 Connections between FPGA and Ethernet

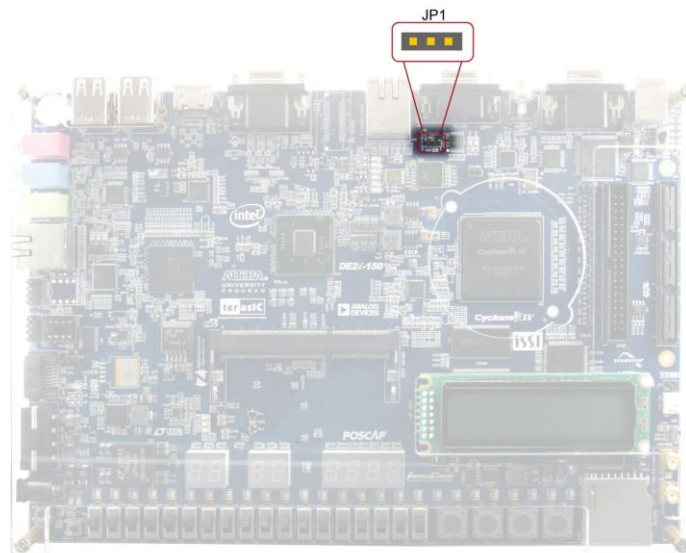


Figure 3-21 Working mode setup header for Ethernet PHY

Table 3-17 Jumper Settings for Working Mode of ENET0(U15)

<i>JP1 Jumper Settings</i>	<i>ENET PHY Working Mode</i>
Short Pins 1 and 2	RGMII Mode
Short Pins 2 and 3	MII Mode

Table 3-18 Pin Assignments for Fast Ethernet

<i>Signal Name</i>	<i>FPGA Pin No.</i>	<i>Description</i>	<i>I/O Standard</i>
ENET_GTX_CLK	PIN_ A12	GMII Transmit Clock 1	2.5V
ENET_INT_N	PIN_ E16	Interrupt open drain output 1	2.5V
ENET_LINK100	PIN_ F5	Parallel LED output of 100BASE-TX link 1	2.5V
ENET_MDC	PIN_ C16	Management data clock reference 1	2.5V
ENET_MDIO	PIN_ C15	Management data 1	2.5V
ENET_RST_N	PIN_ C14	Hardware reset signal 1	2.5V
ENET_RX_CLK	PIN_ L15	GMII and MII receive clock 1	2.5V
ENET_RX_COL	PIN_ G15	GMII and MII collision 1	2.5V
ENET_RX_CRS	PIN_ D6	GMII and MII carrier sense 1	2.5V
ENET_RX_DATA[0]	PIN_ F15	GMII and MII receive data[0] 1	2.5V
ENET_RX_DATA[1]	PIN_ E13	GMII and MII receive data[1] 1	2.5V
ENET_RX_DATA[2]	PIN_ A5	GMII and MII receive data[2] 1	2.5V
ENET_RX_DATA[3]	PIN_ B7	GMII and MII receive data[3] 1	2.5V
ENET_RX_DV	PIN_ A8	GMII and MII receive data valid 1	2.5V
ENET_RX_ER	PIN_ D11	GMII and MII receive error 1	2.5V
ENET_TX_CLK	PIN_ F13	MII transmit clock 1	2.5V
ENET_TX_DATA[0]	PIN_ B12	MII transmit data[0] 1	2.5V
ENET_TX_DATA[1]	PIN_ E7	MII transmit data[1] 1	2.5V
ENET_TX_DATA[2]	PIN_ C13	MII transmit data[2] 1	2.5V
ENET_TX_DATA[3]	PIN_ D15	MII transmit data[3] 1	2.5V
ENET_TX_EN	PIN_ D14	GMII and MII transmit enable 1	2.5V
ENET_TX_ER	PIN_ D13	GMII and MII transmit error 1	2.5V

3-13 TV Decoder

The DE2i-150 board is equipped with an Analog Device ADV7180 TV decoder chip. The ADV7180 is an integrated video decoder that automatically detects and converts a standard analog baseband television signals (NTSC, PAL, and SECAM) into 4:2:2 component video data compatible with the 8-bit ITU-R BT.656 interface standard. The ADV7180 is compatible with a broad range of video devices, including DVD players, tape-based sources, broadcast sources, and security/surveillance cameras.

The registers in the TV decoder can be programmed by a serial I2C bus, which is connected to the Cyclone IV GX FPGA as indicated in [Figure 3-22](#). Note that the I2C address W/R of the TV

decoder (U6) is 0x40/0x41. The pin assignments are listed in **Table 3-19**. Detailed information of the ADV7180 is available on the manufacturer’s website, or in the *DE2i_150_datasheets\TV Decoder* folder on the DE2i-150 System CD.

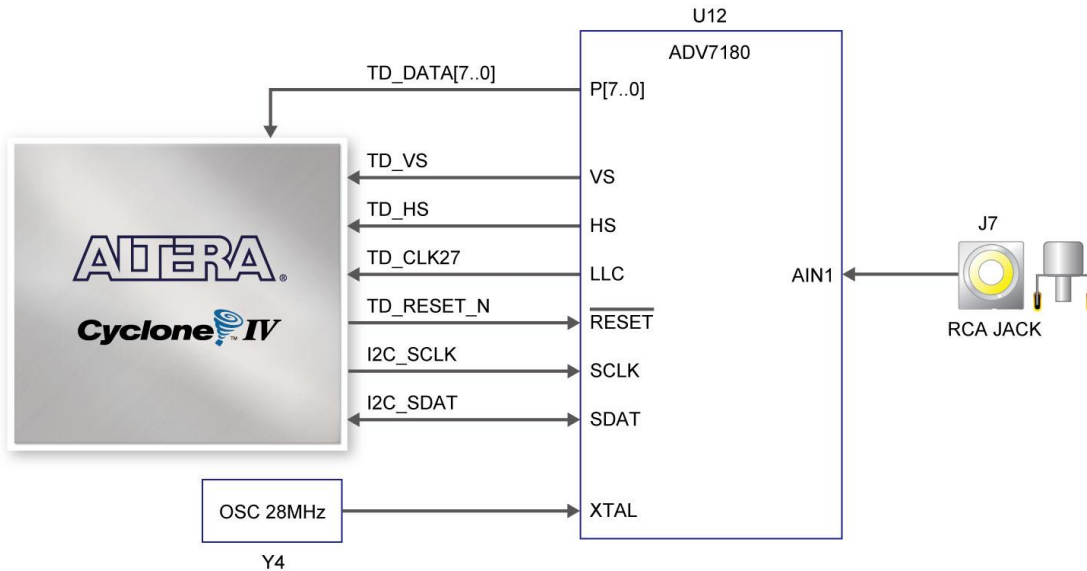


Figure 3-22 Connections between FPGA and TV Decoder

Table 3-19 TV Decoder Pin Assignments

Signal Name	FPGA Pin No.	Description	I/O Standard
TD_DATA [0]	PIN_C17	TV Decoder Data[0]	3.3V
TD_DATA [1]	PIN_D17	TV Decoder Data[1]	3.3V
TD_DATA [2]	PIN_A16	TV Decoder Data[2]	3.3V
TD_DATA [3]	PIN_B16	TV Decoder Data[3]	3.3V
TD_DATA [4]	PIN_G18	TV Decoder Data[4]	3.3V
TD_DATA [5]	PIN_G17	TV Decoder Data[5]	3.3V
TD_DATA [6]	PIN_K18	TV Decoder Data[6]	3.3V
TD_DATA [7]	PIN_K17	TV Decoder Data[7]	3.3V
TD_HS	PIN_C28	TV Decoder H_SYNC	3.3V
TD_VS	PIN_E22	TV Decoder V_SYNC	3.3V
TD_CLK27	PIN_B15	TV Decoder Clock Input.	3.3V
TD_RESET_N	PIN_E25	TV Decoder Reset	3.3V
I2C_SCLK	PIN_C27	I2C Clock	3.3V
I2C_SDAT	PIN_G21	I2C Data	3.3V

3-14 Implementing a TV Encoder

Although the DE2i-150 board does not include a TV encoder chip, the ADV7123 (10-bit high-speed triple ADCs) can be used to implement a professional-quality TV encoder with the digital processing part implemented in the Cyclone IV GX FPGA. **Figure 3-23** shows a block diagram of a TV encoder implemented in this manner.

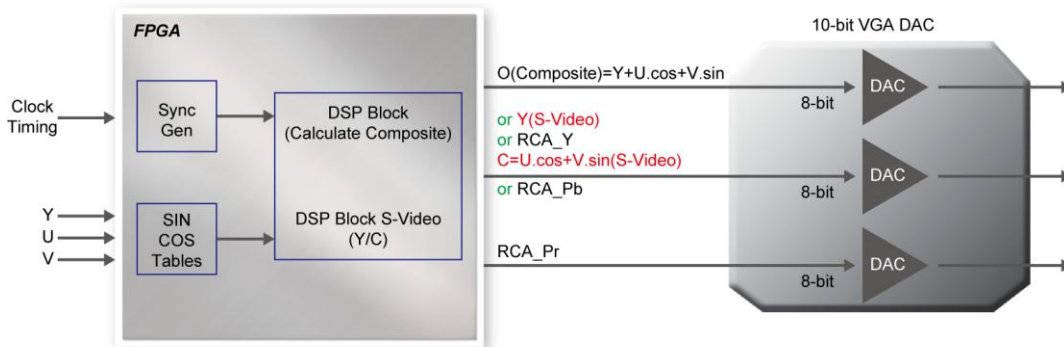


Figure 3-23 A TV Encoder that uses the Cyclone IV GX FPGA and the ADV7123

3-15 Using IR

The DE2i-150 provides an infrared remote-control receiver Module (model: IRM-V538N7/TR1), whose datasheet is offered in the *DE2i_150_datasheets\IR_Receiver* folder on DE2i-150 system CD. Note that for this all-in-one receiver module, it is only compatible with the 38KHz carrier Standard, with a maximum data rate of about 4kbps for its product information. The accompanied remote controller with an encoding chip of uPD6121G is very suitable of generating expected infrared signals. **Figure 3-24** shows the related schematic of the IR receiver, and the pin assignments of the associated interface are listed in **Table 3-20**.

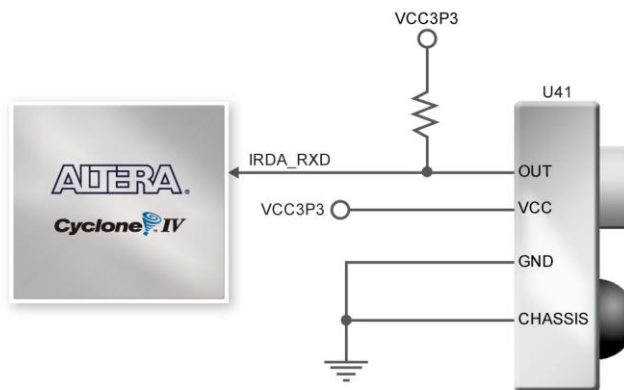


Figure 3-24 Connection between FPGA and IR

Table 3-20 IR Pin Assignments

Signal Name	FPGA Pin No.	Description	I/O Standard
IRDA_RXD	PIN_AH28	IR Receiver	3.3V

3-16 Using SSRAM/SDRAM/FLASH/SD Card

■ SSRAM

The DE2i-150 board has 2MB SSRAM memory with 16-bit data width. Being featured with a maximum performance frequency of about 125MHz under the condition of standard 3.3V single power supply makes it suitable of dealing with high-speed media processing applications that need ultra data throughput. The related schematic is shown in **Figure 3-25**.



Note: Note that the SSRAM and FLASH share the same address and data bus. User can not use these two components at once.

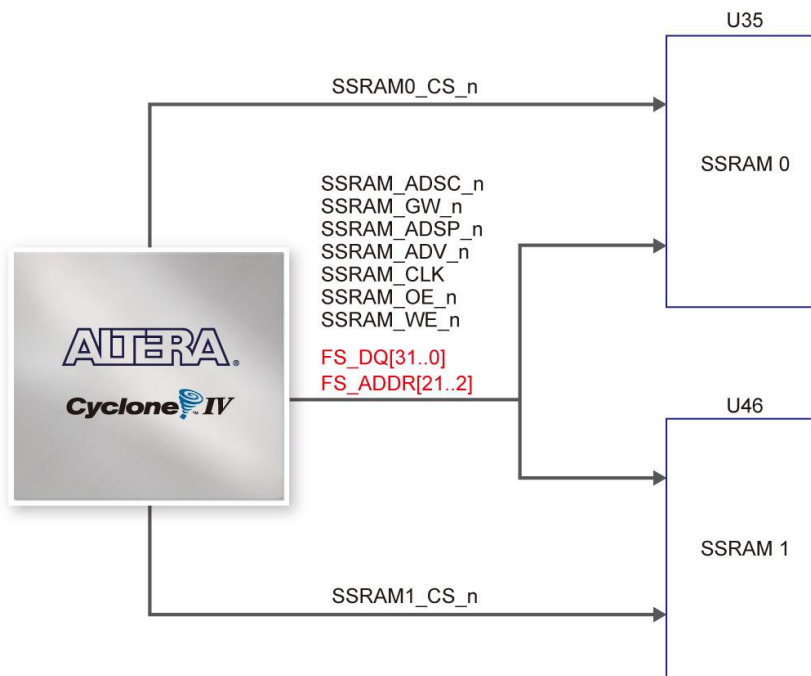


Figure 3-25 Connections between FPGA and SSRAM

■ SDRAM

The board features 128MB of SDRAM, implemented using two 64MB SDRAM devices. Each device consists of separate 16-bit data lines connected to the FPGA, and shared control and address lines. These chips use the 3.3V LVCMOS signaling standard. Connections between FPGA and SDRAM are shown in **Figure 3-26**.

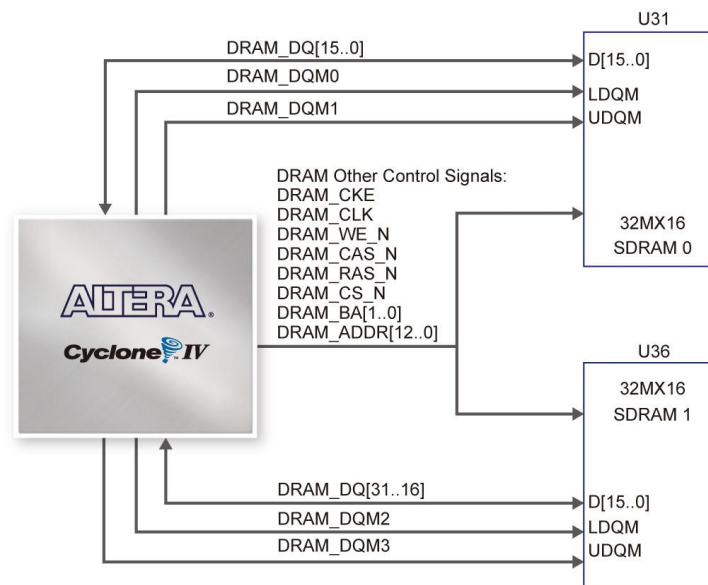


Figure 3-26 Connections between FPGA and SDRAM

■ FLASH

The board is assembled with 8MB of flash memory using an 8-bit data bus. The device uses 3.3V CMOS signaling standard. Because of its non-volatile property, it is usually used for storing software binaries, images, sounds or other media. Connections between FPGA and Flash are shown in **Figure 3-27**.



Note:

- (1) The Flash on DE2i-150 is a new model, so it might not be working properly with **Altera HAL flash driver**. In order to make the Flash function well with SOPC System, please refer to the Section 6.2 to update the flash driver
- (2) The SSRAM and FLASH share the same address and data bus. User can not use these two components at once.

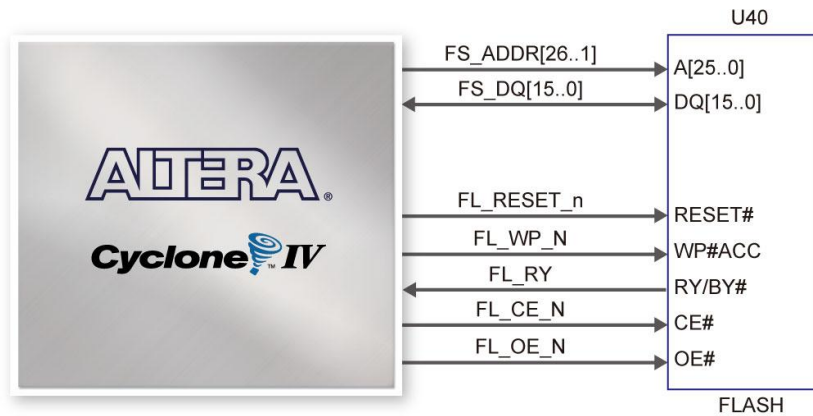


Figure 3-27 Connections between FPGA and Flash

■ SD Card

Many applications use a large external storage device, such as SD Card or CF card, for storing data. The DE2i-150 board provides the hardware needed for SD Card access. Users can implement custom controllers to access the SD Card in SPI mode and SD Card 4-bit or 1-bit mode. **Figure 3-28** shows the related signals.

Finally, **Table 3-21~Table 3-24** lists all the associated pins for interfacing FPGA respectively.

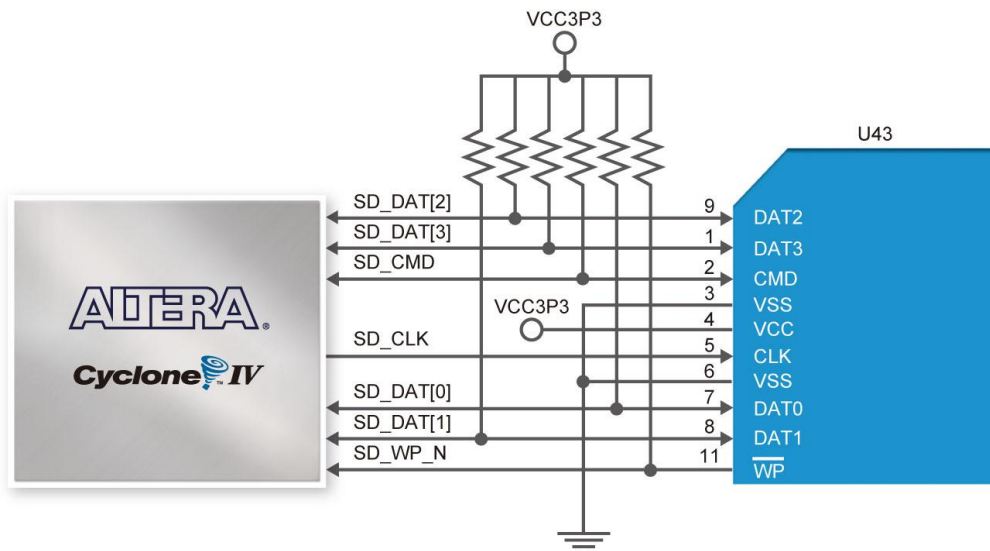


Figure 3-28 Connections between FPGA and SD Card Socket

Table 3-21 SSRAM Pin Assignments

<i>Signal Name</i>	<i>FPGA Pin No.</i>	<i>Description</i>	<i>I/O Standard</i>
SSRAM_BE[0]	PIN_AF22	SSRAM Byte Write Enable[0]	3.3V
SSRAM_BE[1]	PIN_AK22	SSRAM Byte Write Enable[1]	3.3V
SSRAM_BE[2]	PIN_AJ22	SSRAM Byte Write Enable[2]	3.3V
SSRAM_BE[3]	PIN_AF21	SSRAM Byte Write Enable[3]	3.3V
SSRAM0_CE_N	PIN_AJ21	SSRAM Chip Select	3.3V
SSRAM1_CE_N	PIN_AG23	SSRAM Chip Select	3.3V
SSRAM_OE_N	PIN_AG24	SSRAM Output Enable	3.3V
SSRAM_WE_N	PIN_AK24	SSRAM Write Enable	3.3V
SSRAM_ADV_N	PIN_AH26	SSRAM Burst Address Advance	3.3V
SSRAM_ADSP_N	PIN_AJ25	SSRAM Processor Address Status	3.3V
SSRAM_GW_N	PIN_AK23	SSRAM Global Write Enable	3.3V
SSRAM_ADSC_N	PIN_AK25	SSRAM Controller Address Status	3.3V
SSRAM_CLK	PIN_AF24	SSRAM Clock	3.3V

Table 3-22 SDRAM Pin Assignments

<i>Signal Name</i>	<i>FPGA Pin No.</i>	<i>Description</i>	<i>I/O Standard</i>
DRAM_ADDR[0]	PIN_AG7	SDRAM Address[0]	3.3V
DRAM_ADDR[1]	PIN_AJ7	SDRAM Address[1]	3.3V
DRAM_ADDR[2]	PIN_AG8	SDRAM Address[2]	3.3V
DRAM_ADDR[3]	PIN_AH8	SDRAM Address[3]	3.3V
DRAM_ADDR[4]	PIN_AE16	SDRAM Address[4]	3.3V
DRAM_ADDR[5]	PIN_AF16	SDRAM Address[5]	3.3V
DRAM_ADDR[6]	PIN_AE14	SDRAM Address[6]	3.3V
DRAM_ADDR[7]	PIN_AE15	SDRAM Address[7]	3.3V
DRAM_ADDR[8]	PIN_AE13	SDRAM Address[8]	3.3V
DRAM_ADDR[9]	PIN_AE12	SDRAM Address[9]	3.3V
DRAM_ADDR[10]	PIN_AH6	SDRAM Address[10]	3.3V
DRAM_ADDR[11]	PIN_AE11	SDRAM Address[11]	3.3V
DRAM_ADDR[12]	PIN_AE10	SDRAM Address[12]	3.3V
DRAM_DQ[0]	PIN_AD10	SDRAM Data[0]	3.3V
DRAM_DQ[1]	PIN_AD9	SDRAM Data[1]	3.3V
DRAM_DQ[2]	PIN_AE9	SDRAM Data[2]	3.3V
DRAM_DQ[3]	PIN_AE8	SDRAM Data[3]	3.3V
DRAM_DQ[4]	PIN_AE7	SDRAM Data[4]	3.3V
DRAM_DQ[5]	PIN_AF7	SDRAM Data[5]	3.3V
DRAM_DQ[6]	PIN_AF6	SDRAM Data[6]	3.3V
DRAM_DQ[7]	PIN_AF9	SDRAM Data[7]	3.3V
DRAM_DQ[8]	PIN_AB13	SDRAM Data[8]	3.3V
DRAM_DQ[9]	PIN_AF13	SDRAM Data[9]	3.3V
DRAM_DQ[10]	PIN_AF12	SDRAM Data[10]	3.3V
DRAM_DQ[11]	PIN_AG9	SDRAM Data[11]	3.3V
DRAM_DQ[12]	PIN_AA13	SDRAM Data[12]	3.3V
DRAM_DQ[13]	PIN_AB11	SDRAM Data[13]	3.3V

DRAM_DQ[14]	PIN_AA12	SDRAM Data[14]	3.3V
DRAM_DQ[15]	PIN_AA15	SDRAM Data[15]	3.3V
DRAM_DQ[16]	PIN_AH11	SDRAM Data[16]	3.3V
DRAM_DQ[17]	PIN_AG11	SDRAM Data[17]	3.3V
DRAM_DQ[18]	PIN_AH12	SDRAM Data[18]	3.3V
DRAM_DQ[19]	PIN_AG12	SDRAM Data[19]	3.3V
DRAM_DQ[20]	PIN_AH13	SDRAM Data[20]	3.3V
DRAM_DQ[21]	PIN_AG13	SDRAM Data[21]	3.3V
DRAM_DQ[22]	PIN_AG14	SDRAM Data[22]	3.3V
DRAM_DQ[23]	PIN_AH14	SDRAM Data[23]	3.3V
DRAM_DQ[24]	PIN_AH9	SDRAM Data[24]	3.3V
DRAM_DQ[25]	PIN_AK8	SDRAM Data[25]	3.3V
DRAM_DQ[26]	PIN_AG10	SDRAM Data[26]	3.3V
DRAM_DQ[27]	PIN_AK7	SDRAM Data[27]	3.3V
DRAM_DQ[28]	PIN_AH7	SDRAM Data[28]	3.3V
DRAM_DQ[29]	PIN_AK6	SDRAM Data[29]	3.3V
DRAM_DQ[30]	PIN_AJ6	SDRAM Data[30]	3.3V
DRAM_DQ[31]	PIN_AK5	SDRAM Data[31]	3.3V
DRAM_BA[0]	PIN_AH5	SDRAM Bank Address[0]	3.3V
DRAM_BA[1]	PIN_AG6	SDRAM Bank Address[1]	3.3V
DRAM_DQM[0]	PIN_AF10	SDRAM byte Data Mask[0]	3.3V
DRAM_DQM[1]	PIN_AB14	SDRAM byte Data Mask[1]	3.3V
DRAM_DQM[2]	PIN_AH15	SDRAM byte Data Mask[2]	3.3V
DRAM_DQM[3]	PIN_AH10	SDRAM byte Data Mask[3]	3.3V
DRAM_RAS_N	PIN_AK4	SDRAM Row Address Strobe	3.3V
DRAM_CAS_N	PIN_AJ4	SDRAM Column Address Strobe	3.3V
DRAM_CKE	PIN_AD6	SDRAM Clock Enable	3.3V
DRAM_CLK	PIN_AE6	SDRAM Clock	3.3V
DRAM_WE_N	PIN_AK3	SDRAM Write Enable	3.3V
DRAM_CS_N	PIN_AG5	SDRAM Chip Select	3.3V

Table 3-23 Flash Pin Assignments

<i>Signal Name</i>	<i>FPGA Pin No.</i>	<i>Description</i>	<i>I/O Standard</i>
FS_ADDR[1]	PIN_AB22	FLASH Address[0]	3.3V
FS_ADDR[2]	PIN_AH19	FLASH Address[1]	3.3V
FS_ADDR[3]	PIN_AK19	FLASH Address[2]	3.3V
FS_ADDR[4]	PIN_AJ18	FLASH Address[3]	3.3V
FS_ADDR[5]	PIN_AA18	FLASH Address[4]	3.3V
FS_ADDR[6]	PIN_AH18	FLASH Address[5]	3.3V
FS_ADDR[7]	PIN_AK17	FLASH Address[6]	3.3V
FS_ADDR[8]	PIN_Y20	FLASH Address[7]	3.3V
FS_ADDR[9]	PIN_AK21	FLASH Address[8]	3.3V
FS_ADDR[10]	PIN_AH21	FLASH Address[9]	3.3V
FS_ADDR[11]	PIN_AG21	FLASH Address[10]	3.3V
FS_ADDR[12]	PIN_AG22	FLASH Address[11]	3.3V

FS_ADDR[13]	PIN_AD22	FLASH Address[12]	3.3V
FS_ADDR[14]	PIN_AE24	FLASH Address[13]	3.3V
FS_ADDR[15]	PIN_AD23	FLASH Address[14]	3.3V
FS_ADDR[16]	PIN_AB21	FLASH Address[15]	3.3V
FS_ADDR[17]	PIN_AH17	FLASH Address[16]	3.3V
FS_ADDR[18]	PIN_AE17	FLASH Address[17]	3.3V
FS_ADDR[19]	PIN_AG20	FLASH Address[18]	3.3V
FS_ADDR[20]	PIN_AK20	FLASH Address[19]	3.3V
FS_ADDR[21]	PIN_AE19	FLASH Address[20]	3.3V
FS_ADDR[22]	PIN_AA16	FLASH Address[21]	3.3V
FS_ADDR[23]	PIN_AF15	FLASH Address[22]	3.3V
FS_ADDR[24]	PIN_AG15	FLASH Address[23]	3.3V
FS_ADDR[25]	PIN_Y17	FLASH Address[24]	3.3V
FS_ADDR[26]	PIN_AB16	FLASH Address[25]	3.3V
FS_DQ[0]	PIN_AK29	FLASH Data[0]	3.3V
FS_DQ[1]	PIN_AE23	FLASH Data[1]	3.3V
FS_DQ[2]	PIN_AH24	FLASH Data[2]	3.3V
FS_DQ[3]	PIN_AH23	FLASH Data[3]	3.3V
FS_DQ[4]	PIN_AA21	FLASH Data[4]	3.3V
FS_DQ[5]	PIN_AE20	FLASH Data[5]	3.3V
FS_DQ[6]	PIN_Y19	FLASH Data[6]	3.3V
FS_DQ[7]	PIN_AA17	FLASH Data[7]	3.3V
FS_DQ[8]	PIN_AB17	FLASH Data[8]	3.3V
FS_DQ[9]	PIN_Y18	FLASH Data[9]	3.3V
FS_DQ[10]	PIN_AA20	FLASH Data[10]	3.3V
FS_DQ[11]	PIN_AE21	FLASH Data[11]	3.3V
FS_DQ[12]	PIN_AH22	FLASH Data[12]	3.3V
FS_DQ[13]	PIN_AJ24	FLASH Data[13]	3.3V
FS_DQ[14]	PIN_AE22	FLASH Data[14]	3.3V
FS_DQ[15]	PIN_AK28	FLASH Data[15]	3.3V
FS_DQ[16]	PIN_AK9	FLASH Data[16]	3.3V
FS_DQ[17]	PIN_AJ10	FLASH Data[17]	3.3V
FS_DQ[18]	PIN_AK11	FLASH Data[18]	3.3V
FS_DQ[19]	PIN_AK12	FLASH Data[19]	3.3V
FS_DQ[20]	PIN_AJ13	FLASH Data[20]	3.3V
FS_DQ[21]	PIN_AK15	FLASH Data[21]	3.3V
FS_DQ[22]	PIN_AC16	FLASH Data[22]	3.3V
FS_DQ[23]	PIN_AH16	FLASH Data[23]	3.3V
FS_DQ[24]	PIN_AG16	FLASH Data[24]	3.3V
FS_DQ[25]	PIN_AD16	FLASH Data[25]	3.3V
FS_DQ[26]	PIN_AJ15	FLASH Data[26]	3.3V
FS_DQ[27]	PIN_AK14	FLASH Data[27]	3.3V
FS_DQ[28]	PIN_AK13	FLASH Data[28]	3.3V
FS_DQ[29]	PIN_AJ12	FLASH Data[29]	3.3V
FS_DQ[30]	PIN_AK10	FLASH Data[30]	3.3V

FS_DQ[31]	PIN_AJ9	FLASH Data[31]	3.3V
FL_CE_N	PIN_AG19	FLASH Chip Enable	3.3V
FL_OE_N	PIN_AJ19	FLASH Output Enable	3.3V
FL_RST_N	PIN_AG18	FLASH Reset	3.3V
FL_RY	PIN_AF19	FLASH Ready/Busy output	3.3V
FL_WE_N	PIN_AG17	FLASH Write Enable	3.3V
FL_WP_N	PIN_AK18	FLASH Write Protect /Programming Acceleration	3.3V

Table 3-24 SD Card Socket Pin Assignments

<i>Signal Name</i>	<i>FPGA Pin No.</i>	<i>Description</i>	<i>I/O Standard</i>
SD_CLK	PIN_AH25	SD Clock	3.3V
SD_CMD	PIN_AF18	SD Command Line	3.3V
SD_DAT[0]	PIN_AH27	SD Data[0]	3.3V
SD_DAT[1]	PIN_AJ28	SD Data[1]	3.3V
SD_DAT[2]	PIN_AD24	SD Data[2]	3.3V
SD_DAT[3]	PIN_AE18	SD Data[3]	3.3V
SD_WP_N	PIN_AJ27	SD Write Protect	3.3V

DE2i-150 System Builder

This chapter describes how users can create a custom design project on the DE2i-150 board by using DE2i-150 Software Tool – DE2i-150 System Builder.

4-1 Introduction

The DE2i-150 System Builder is a Windows based software utility, designed to assist users to create a Quartus II project for the DE2i-150 board within minutes. The generated Quartus II project files include:

- Quartus II Project File (.qpf)
- Quartus II Setting File (.qsf)
- Top-Level Design File (.v)
- Synopsis Design Constraints file (.sdc)
- Pin Assignment Document (.htm)

By providing the above files, DE2i-150 System Builder prevents occurrence of situations that are prone to errors when users manually edit the top-level design file or place pin assignments. The common mistakes that users encounter are the following:

1. Board damaged due to wrong pin/bank voltage assignments.
2. Board malfunction caused by wrong device connections or missing pin counts for connected ends.
3. Performance degeneration because of improper pin assignments.

4-2 General Design Flow

This section will introduce the general design flow to build a project for the DE2i-150 board via the DE2i-150 System Builder. The general design flow is illustrated in **Figure 4-1**.

Users should launch DE2i-150 System Builder and create a new project according to their design

requirements. When users complete the settings, the DE2i-150 System Builder will generate two major files which include top-level design file (.v) and Quartus II setting file (.qsf).

The top-level design file contains top-level Verilog HDL wrapper for users to add their own design/logic. The Quartus II setting file contains information such as FPGA device type, top-level pin assignment, and I/O standard for each user-defined I/O pin.

Finally, Quartus II programmer must be used to download SOF file to DE2i-150 board using JTAG interface.

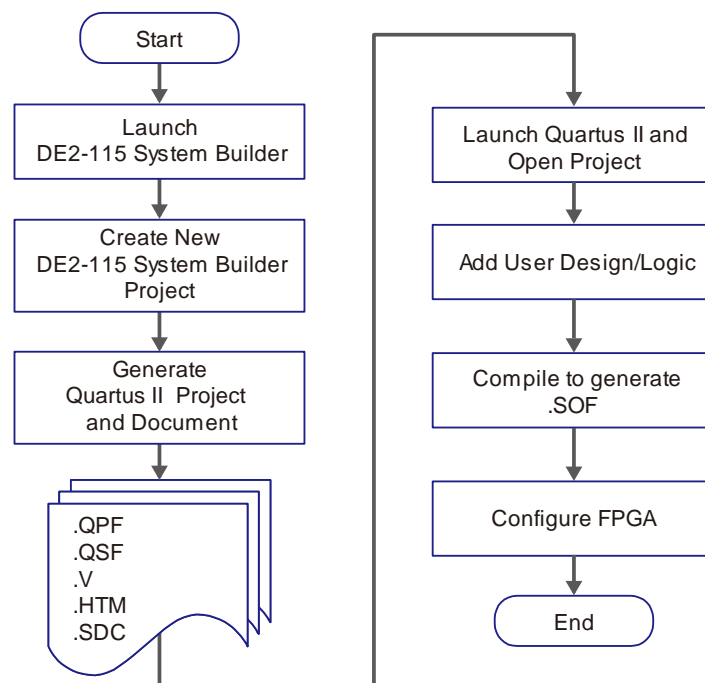


Figure 4-1 The general design flow of building a design

4-3 Using DE2i-150 System Builder

This section provides the detailed procedures on how the DE2i-150 System Builder is used.

■ Install and launch the DE2i-150 System Builder

The DE2i-150 System Builder is located in the directory: "*Tools\SystemBuilder*" on the DE2i-150 System CD. Users can copy the whole folder to a host computer without installing the utility. Launch the DE2i-150 System Builder by executing the *DE2i_150_SystemBuilder.exe* on the host computer and the GUI window will appear as shown in [Figure 4-2](#).

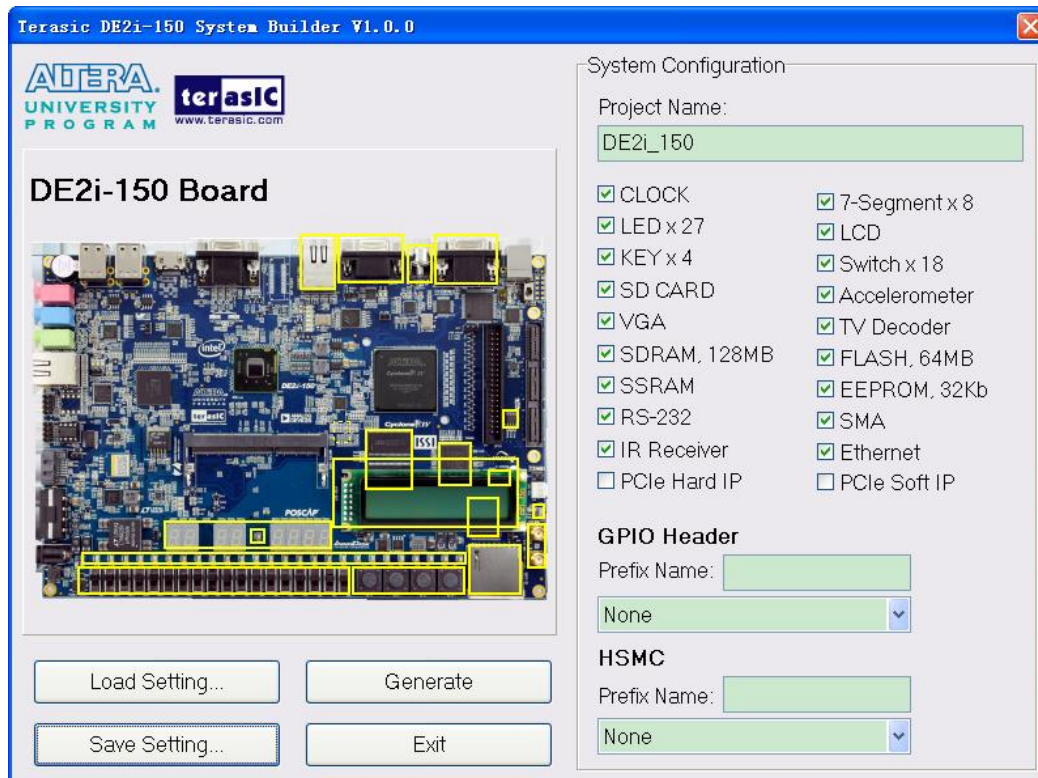


Figure 4-2 The DE2i-150 System Builder window

■ Input Project Name

Input project name as show in [Figure 4-3](#).

Project Name: Type in an appropriate name here, it will automatically be assigned as the name of your top-level design entity.

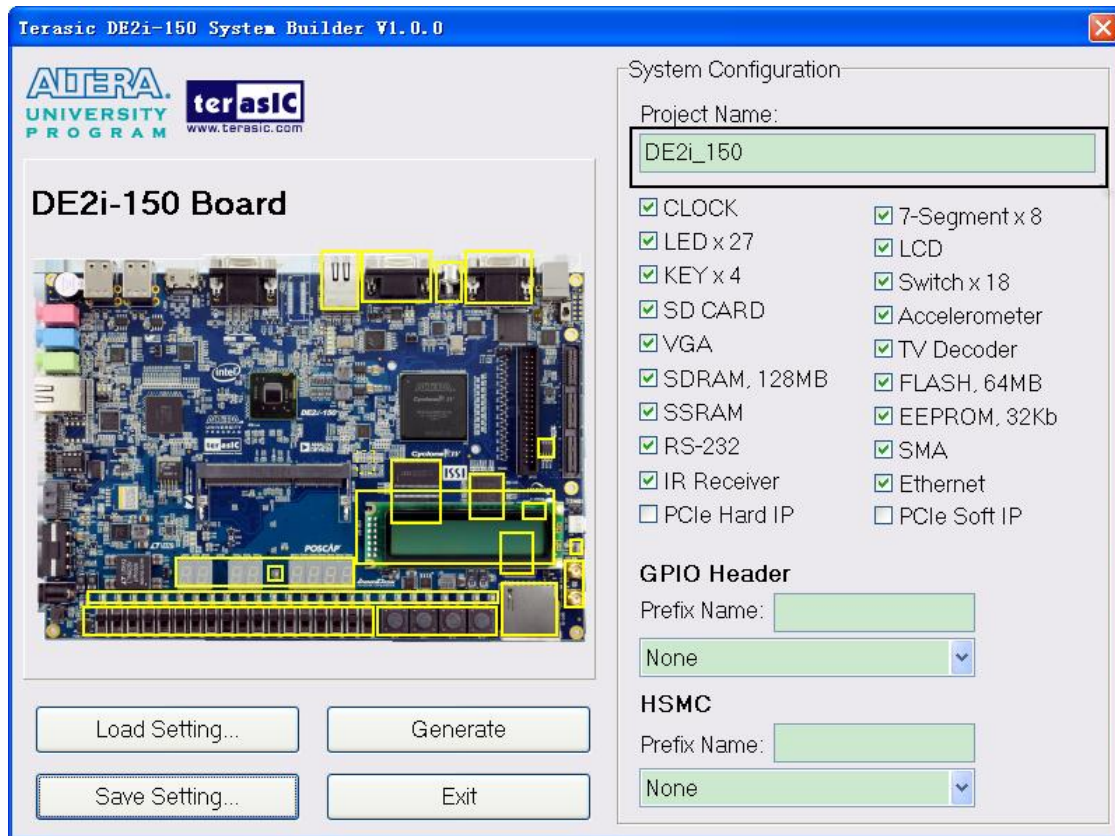


Figure 4-3 The DE2i-150 Board Type and Project Name

■ System Configuration

Under System Configuration users are given the flexibility of enabling their choice of included components on the DE2i-150 as shown in **Figure 4-4**. Each component of the DE2i-150 is listed where users can enable or disable a component according to their design by simply marking a check or removing the check in the field provided. If the component is enabled, the DE2i-150 System Builder will automatically generate the associated pin assignments including the pin name, pin location, pin direction, and I/O standard.

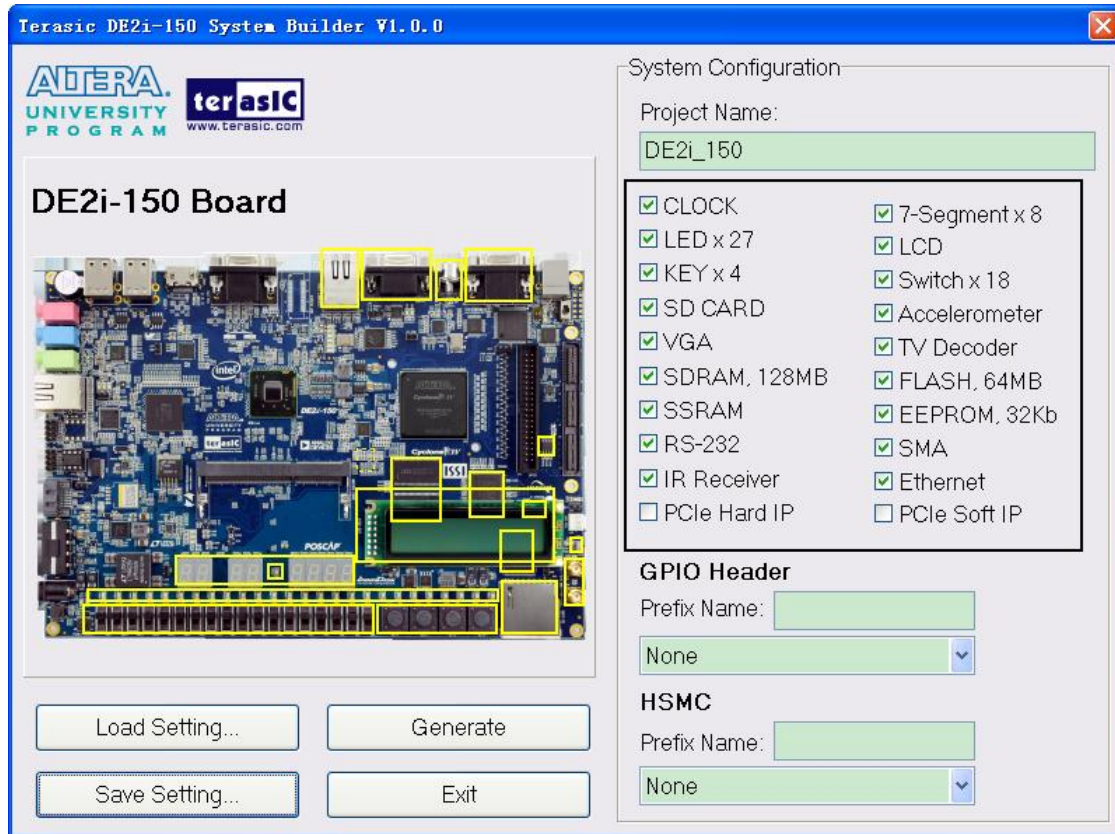


Figure 4-4 System Configuration Group

■ GPIO Expansion

Users can connect GPIO expansion card onto GPIO header located on the DE2i-150 board as shown in **Figure 4-5**. Select the appropriate daughter card you wish to include in your design from the drop-down menu. The system builder will automatically generate the associated pin assignments including the pin name, pin location, pin direction, and IO standard.

If a customized daughter board is used, users can select “GPIO Default” followed by changing the pin name, pin direction, and IO standard according to the specification of the customized daughter board.

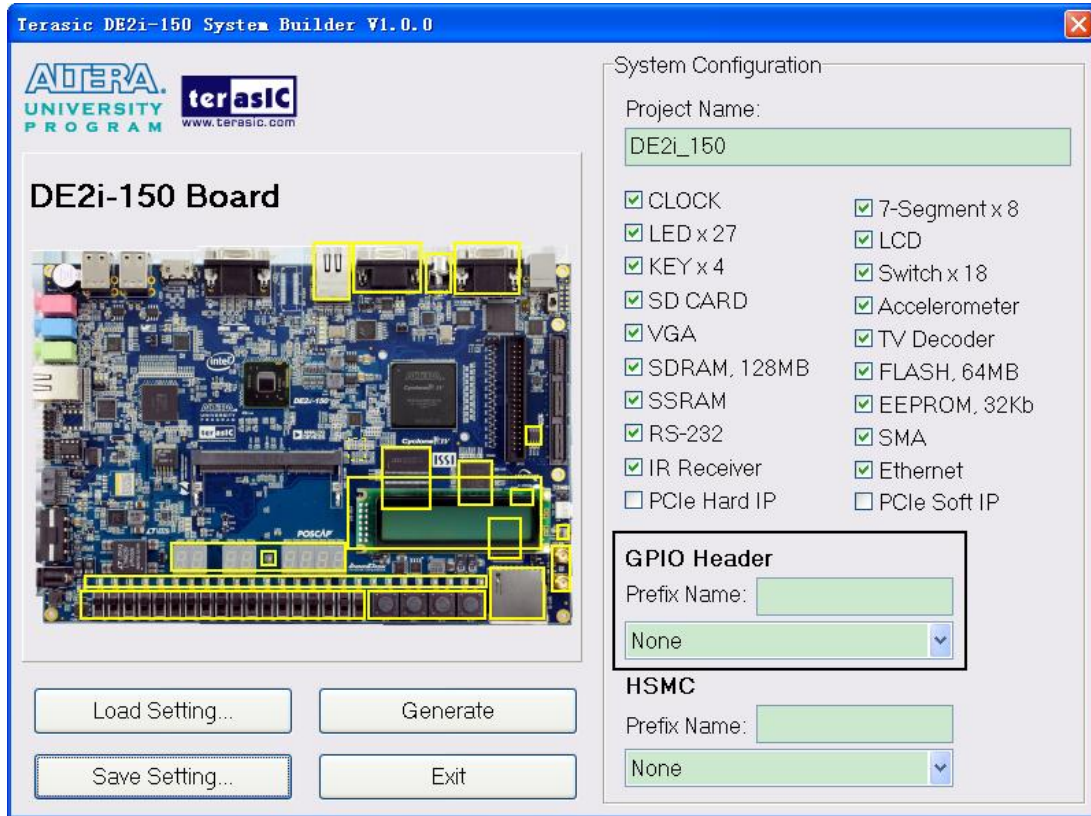


Figure 4-5 GPIO Expansion Group

The “Prefix Name” is an optional feature which denotes the prefix pin name of the daughter card assigned in your design. Users may leave this field empty.

■ HSMC Expansion

Users can connect HSMC-interfaced daughter cards onto HSMC located on the DE2i-150 board shown in **Figure 4-6**. Select the daughter card you wish to add to your design under the appropriate HSMC connector where the daughter card is connected to. The System Builder will automatically generate the associated pin assignment including pin name, pin location, pin direction, and IO standard.

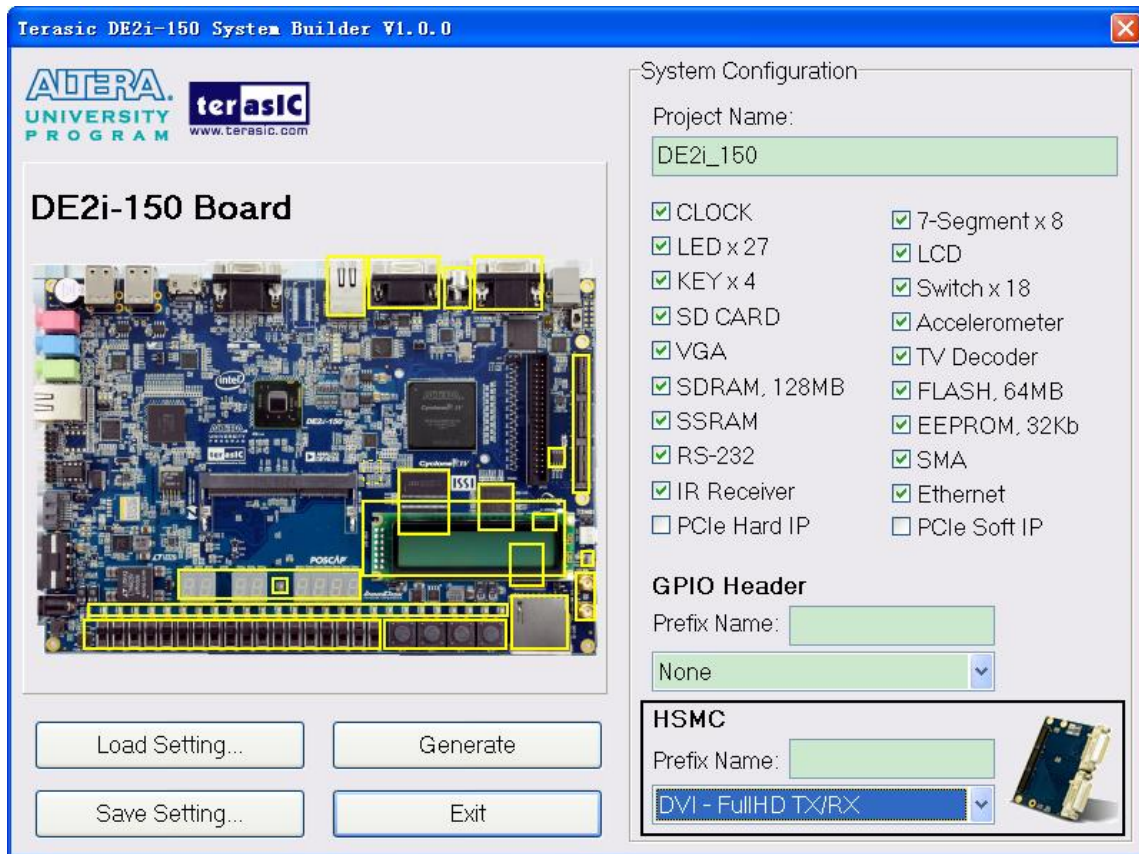


Figure 4-6 HSMC Expansion Group

The “Prefix Name” is an optional feature that denotes the pin name of the daughter card assigned in your design. Users may leave this field empty.

■ Project Setting Management

The DE2i-150 System Builder also provides functions to restore default setting, loading a setting, and saving users’ board configuration file shown in **Figure 4-7**. Users can save the current board configuration information into a .cfg file and load it to the DE2i-150 System Builder.

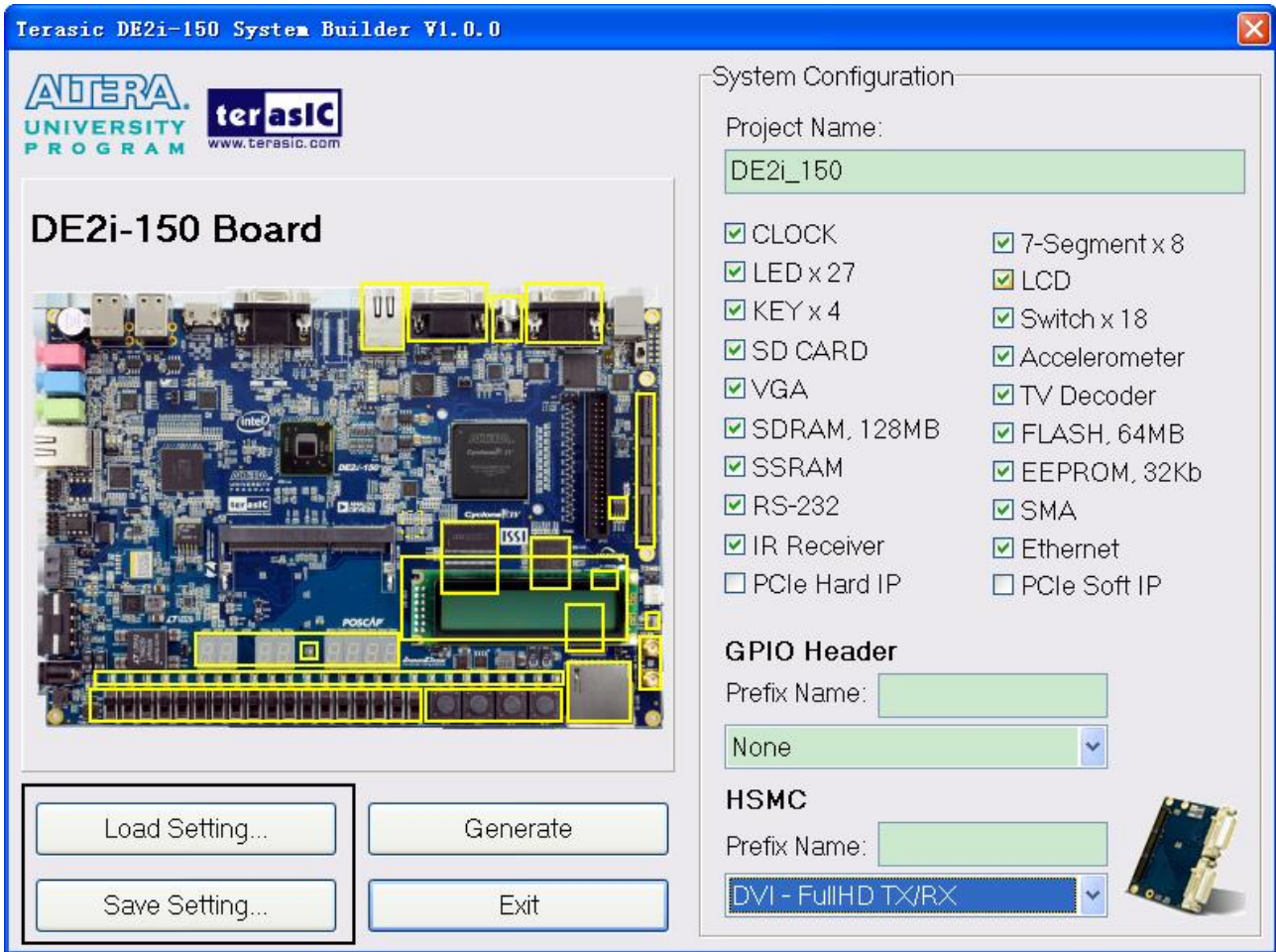


Figure 4-7 Project Settings

■ Project Generation

When users press the Generate button, the DE2i-150 System Builder will generate the corresponding Quartus II files and documents as listed in the **Table 4-1**:

Table 4-1 The files generated by DE2i-150 System Builder

No.	Filename	Description
1	<Project name>.v	Top level Verilog HDL file for Quartus II
2	<Project name>.qpf	Quartus II Project File
3	<Project name>.qsf	Quartus II Setting File
4	<Project name>.sdc	Synopsis Design Constraints file for Quartus II
5	<Project name>.htm	Pin Assignment Document

Users can use Quartus II software to add custom logic into the project and compile the project to generate the SSRAM Object File (.sof).

Examples of Advanced Demonstrations

This chapter provides a number of examples of advanced circuits implemented on the DE2i-150 board. These circuits provide demonstrations of the major features on the board, such as its audio and video capabilities, USB, and Ethernet connectivity. For each demonstration the Cyclone IV GX FPGA (or EPCS64 serial EEPROM) configuration file is provided, as well as the full source code in Verilog HDL. All of the associated files can be found in the `\Demonstrations\FPGA` folder on the DE2i-150 System CD. For each demonstrations described in the following sections, the name of the project directory for its files is given, which are subdirectories of the `\Demonstrations\FPGA` folder.

■ Installing the Demonstrations

To install the demonstrations on your computer:

Copy the directory *Demonstrations* into a local directory of your choice. It is important to ensure that the path to your local directory contains no spaces – otherwise, the Nios II software will not work. **Note: Version Quartus II v9.1 SP2 or later is required for all DE2i-150 demonstrations to support Cyclone IV GX device. Quartus II can be installed from the Altera Complete Design Suite DVD provided.**

5-1 DE2i-150 Factory Configuration

The DE2i-150 board is shipped from the factory with a default configuration bit-stream that demonstrates some of the basic features of the board. The setup required for this demonstration, and the locations of its files are shown below.

■ Demonstration Setup, File Locations, and Instructions

- Project directory: DE2i_150_Default
- Bit stream used: DE2i_150_Default.sof or DE2i_150_Default.pof
- Power on the DE2i-150 board, with the USB cable connected to the USB Blaster port. If necessary (that is, if the default factory configuration of the DE2i-150 board is not currently

stored in EPCS64 device), download the bit stream to the board by using either JTAG or AS programming

- You should now be able to observe that the 7-segment displays are displaying a sequence of characters, and the red and green LEDs are flashing. Also, “Welcome to the Altera DE2i-150” is shown on the LCD display
- Optionally connect a VGA display to the VGA D-SUB connector. When connected, the VGA display should show a color picture

The Verilog HDL source code for this demonstration is provided in the *DE2i_150_Default folder*, which also includes the necessary files for the corresponding Quartus II project. The top-level Verilog HDL file, called *DE2i_150_Default.v*, can be used as a template for other projects, because it defines ports that correspond to all of the user-accessible pins on the Cyclone IV GX FPGA.

5-2 TV Box Demonstration

This demonstration plays video and audio input from a DVD player using the VGA output, audio CODEC, and one TV decoder (U6) on the DE2i-150 board. **Figure 5-1** shows the block diagram of the design. There are two major blocks in the circuit, called *I2C_AV_Config* and *TV_to_VGA*. The *TV_to_VGA* block consists of the ITU-R 656 Decoder, SDRAM Frame Buffer, YUV422 to YUV444, YcrCb to RGB, and VGA Controller. The figure also shows the TV Decoder (ADV7180) and the VGA DAC (ADV7123) chips used.

As soon as the bit stream is downloaded into the FPGA, the register values of the TV Decoder chip are used to configure the TV decoder via the *I2C_AV_Config* block, which uses the I2C protocol to communicate with the TV Decoder chip. Following the power-on sequence, the TV Decoder chip will be unstable for a time period; the Lock Detector is responsible for detecting this instability.

The ITU-R 656 Decoder block extracts YcrCb 4:2:2 (YUV 4:2:2) video signals from the ITU-R 656 data stream sent from the TV Decoder. It also generates a data valid control signal indicating the valid period of data output. Because the video signal from the TV Decoder is interlaced, we need to perform de-interlacing on the data source. We used the SDRAM Frame Buffer and a field selection multiplexer (MUX) which is controlled by the VGA controller to perform the de-interlacing operation. Internally, the VGA Controller generates data request and odd/even selection signals to the SDRAM Frame Buffer and field selection multiplexer (MUX). The YUV422 to YUV444 block converts the selected YcrCb 4:2:2 (YUV 4:2:2) video data to the YcrCb 4:4:4 (YUV 4:4:4) video data format.

Finally, the *YcrCb_to_RGB* block converts the YcrCb data into RGB data output. The VGA Controller block generates standard VGA synchronous signals *VGA_HS* and *VGA_VS* to enable the display on a VGA monitor.

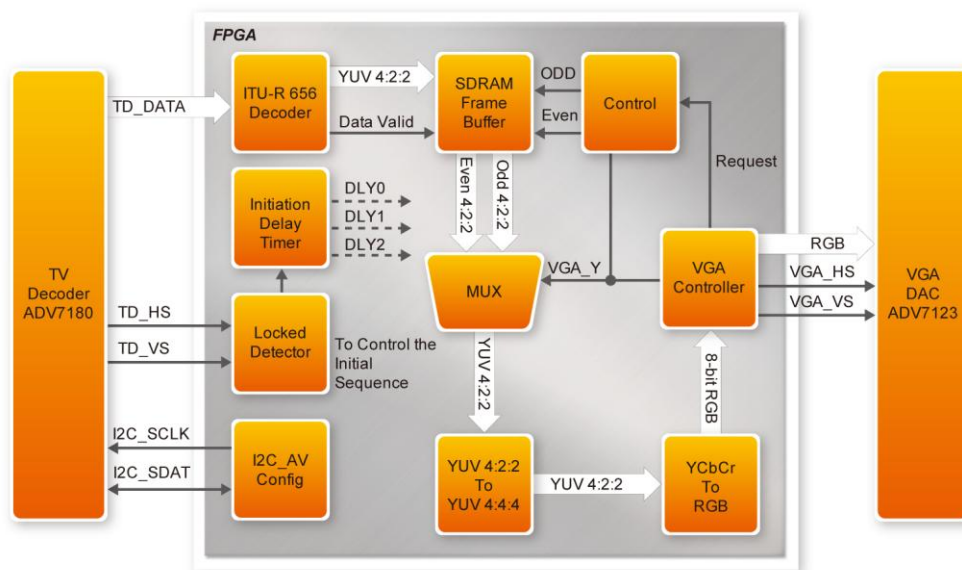


Figure 5-1 Block diagram of the TV box demonstration

■ Demonstration Setup, File Locations, and Instructions

- Project directory: DE2i_150_TV
- Bit stream used: DE2i_150_TV.sof or DE2i_150_TV.pof
- Connect a DVD player's composite video output (yellow plug) to the Video-In RCA jack (J12) of the DE2i-150 board. The DVD player has to be configured to provide:
 - NTSC output
 - 60Hz refresh rate
 - 4:3 aspect ratio
 - Non-progressive video
- Connect the VGA output of the DE2i-150 board to a VGA monitor (both LCD and CRT type of monitors should work)
- Connect the audio output of the DVD player to the line-in port of the DE2i-150 board and connect a speaker to the line-out port. If the audio output jacks from the DVD player are RCA type, then an adaptor will be needed to convert to the mini-stereo plug supported on the DE2i-150 board; this is the same type of plug supported on most computers
- Load the bit stream into FPGA by execute the batch file 'de2_115_tv.bat' under DE2i_150_TV\demo_batch\ folder
- Press KEY0 on the DE2i-150 board to reset the circuit



Note: If the HSMC loopback adapter is mounted, the I2C_SCL will be directly routed back to I2C_SDA.

Because audio chip, TV decoder chip and HSMC share one I2C bus, therefore audio and video chip won't

function correctly.

Figure 5-2 illustrates the setup for this demonstration.

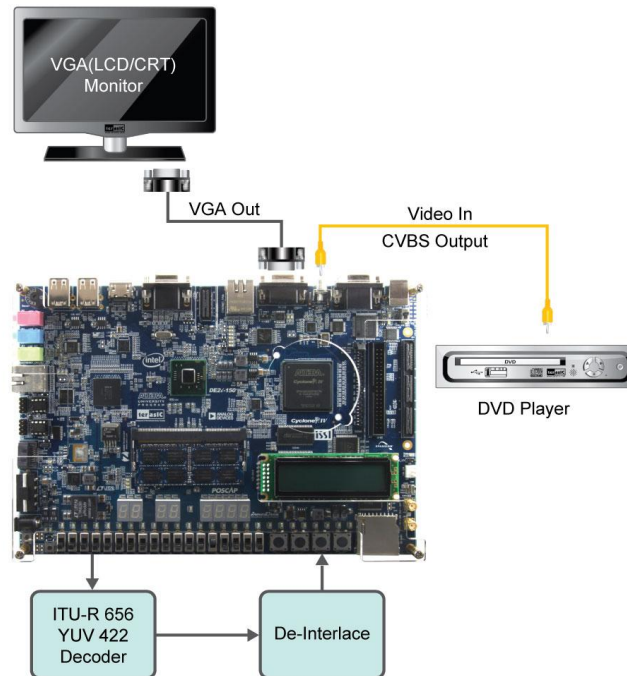


Figure 5-2 The setup for the TV box demonstration

5-3 SD Card Demonstration

Many applications use a large external storage device, such as an SD Card or CF card to store data. The DE2i-150 board provides the hardware and software needed for SD Card access. In this demonstration we will show how to browse files stored in the root directory of an SD Card and how to read the file contents of a specific file. The SD Card is required to be formatted as FAT File System in advance. Long file name is supported in this demonstration.

Figure 5-3 shows the hardware system block diagram of this demonstration. The system requires a 50MHz clock provided by the board. The PLL generates a 100MHz clock for the Nios II processor and other controllers. Four PIO pins are connected to the SD Card socket. SD 4-bit Mode is used to access the SD Card hardware. The SD 4-bit protocol and FAT File System function are all implemented by Nios II software. The software is stored in the on-chip memory.

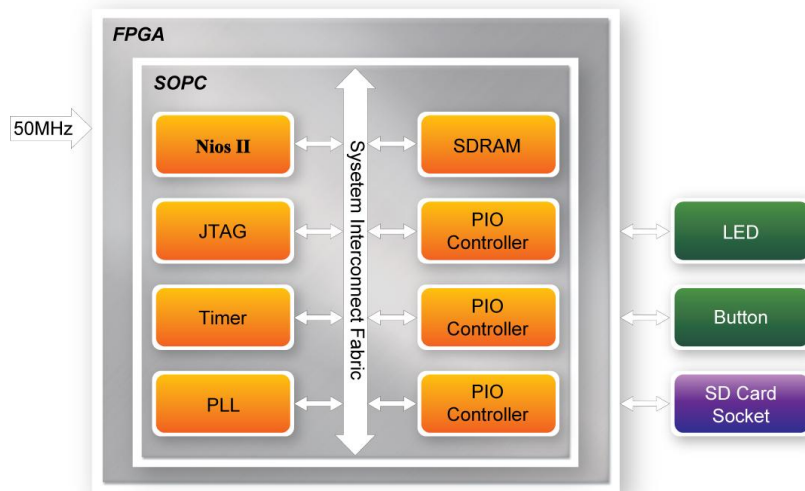


Figure 5-3 Block Diagram of the SD Card Demonstration

Figure 5-4 shows the software stack of this demonstration. The Nios PIO block provides basic IO functions to access hardware directly. The functions are provided from Nios II system and the function prototype is defined in the header file `<io.h>`. The SD Card block implements SD 4-bit mode protocol for communication with SD Cards. The FAT File System block implements reading function for FAT16 and FAT 32 file system. Long filename is supported. By calling the public FAT functions, users can browse files under the root directory of the SD Card. Furthermore, users can open a specified file and read the contents of the file.

The main block implements main control of this demonstration. When the program is executed, it detects whether an SD Card is inserted. If an SD Card is found, it will check whether the SD Card is formatted as FAT file system. If so, it searches all files in the root directory of the FAT file system and displays their names in the nios2-terminal. If a text file named “test.txt” is found, it will dump the file contents. If it successfully recognizes the FAT file system, it will turn on the green LED. On the other hand, it will turn on the red LED if it fails to parse the FAT file system or if there is no SD Card found in the SD Card socket of the DE2i-150 board. If users press KEY3 of the DE2i-150 board, the program will perform above process again.

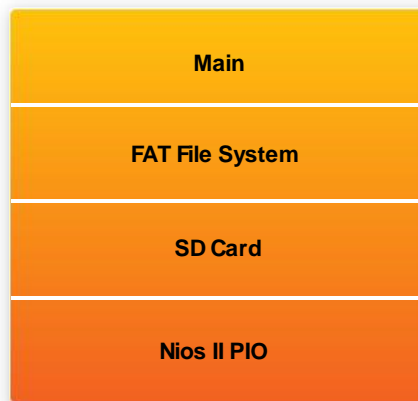


Figure 5-4 Software Stack of the SD Card Demonstration

Demonstration Source Code

- Project directory: DE2i_150_SD_CARD
- Bit stream used: DE2i_150_SD_CARD.sof
- Nios II Workspace: DE2i_150_SD_CARD\Software

Demonstration Batch File

Demo Batch File Folder: DE2i_150_SD_CARD \demo_batch

The demo batch file includes the following files:

- Batch File: DE2i_150_SD_Card.bat, DE2i_150_SD_CARD_bashrc
- FPGA Configure File: DE2i_150_SD_CARD.sof
- Nios II Program: DE2i_150_SD_CARD.elf

Demonstration Setup

- Make sure Quartus II and Nios II are installed on your PC.
- Power on the DE2i-150 board.
- Connect USB Blaster to the DE2i-150 board and install USB Blaster driver if necessary.
- Execute the demo batch file “DE2i_150_SD_Card.bat” under the batch file folder, DE2i_150_SD_CARD\demo_batch.
- After Nios II program is downloaded and executed successfully, a prompt message will be displayed in nios2-terminal.
- Copy test files to the root directory of the SD Card.
- Insert the SD Card into the SD Card socket of DE2i-150, as shown in [Figure 5-5](#).
- Press KEY3 of the DE2i-150 board to start reading SD Card.
- The program will display SD Card information, as shown in [Figure 5-6](#).

point the remote controller to the IR receiver on DE2i-150 board and press the key. After the signal being decoded and processed through FPGA, the related information will be displayed on the 7-segment displays in hexadecimal format, which contains Custom Code, Key Code and Inversed Key Code. The Custom Code and Key Code are used to identify a remote controller and key on the remote controller, respectively.

Next we will introduce how this information being decoded and then displayed in this demo.

When a key on the remote controller is pressed, the remote controller will emit a standard frame, shown in **Figure 5-8**. The beginning of the frame is the lead code represents the start bit, and then is the key-related information, and the last 1 bit end code represents the end of the frame.



Figure 5-7 Remote controller

Table 5-1 Key code information for each Key on remote controller

Key	Key Code	Key	Key Code	Key	Key Code	Key	Key Code
	0x0F		0x13		0x10		0x12
	0x01		0x02		0x03		0x1A
	0x04		0x05		0x06		0x1E
	0x07		0x08		0x09		0x1B
	0x11		0x00		0x17		0x1F
	0x16		0x14		0x18		0x0C

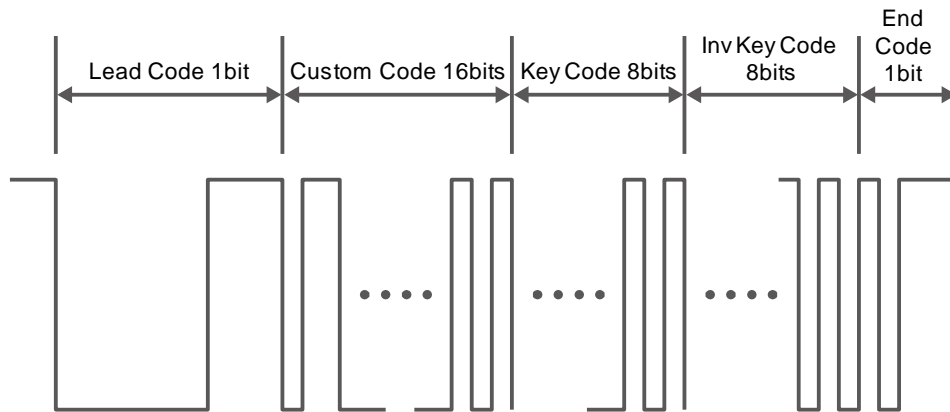


Figure 5-8 The transmitting frame of the IR remote controller

After the IR receiver on DE2i-150 board receives this frame, it will directly transmit that to the FPGA. In this demo, the IP of IR receiver controller is implemented in the FPGA. As **Figure 5-9** shows, it includes Code Detector, State Machine, and Shift Register. First, the IR receiver demodulates the signal inputs to Code Detector block. The Code Detector block will check the Lead Code and feedback the examination result to State Machine block.

The State Machine block will change the state from IDLE to GUIDANCE once the Lead code is detected. Once the Code Detector has detected the Custom Code status, the current state will change from GUIDANCE to DATAREAD state. At this state, the Code Detector will save the Custom Code and Key/Inv Key Code and output to Shift Register then displays it on 7-segment displays. **Figure 5-10** shows the state shift diagram of State Machine block. Note that the input clock should be 50MHz.

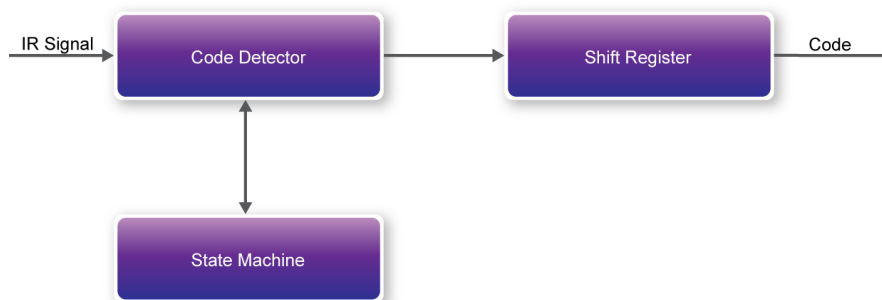


Figure 5-9 The IR Receiver controller

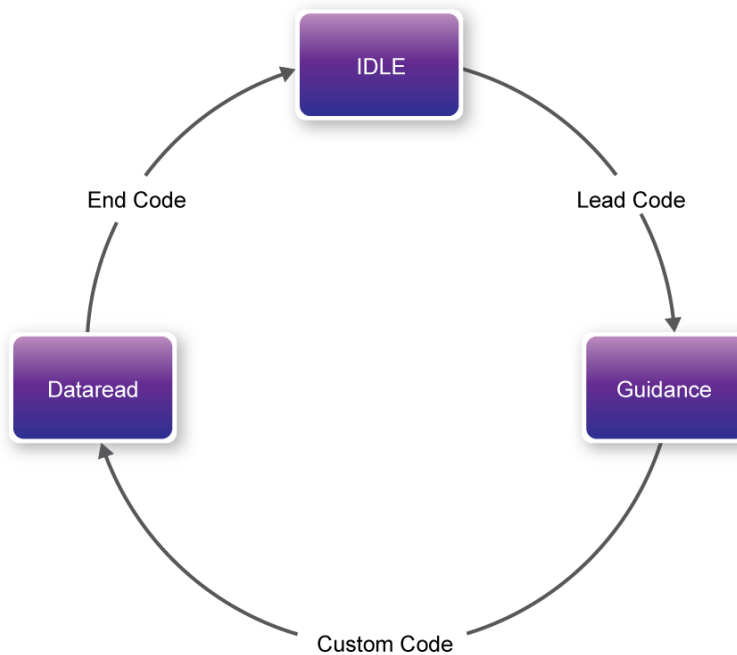


Figure 5-10 State shift diagram of State Machine

We can apply the IR receiver to many applications, such as integrating to the SD Card Demo, and you can also develop other related interesting applications with it.

■ **Demonstration Setup, File Locations, and Instructions**

- Project directory: DE2i_150_IR
- Bit stream used: DE2i_150_IR.sof
- Load the bit stream into the FPGA by executing DE2i_150_IR\demo_batch\DE2i_150_IR.bat file
- Point the IR receiver with the remote-controller and press any button

Table 5-2 shows how the received code and key data display on eight 7-segment displays.

Table 5-2 Detailed information of the indicators

<i>Indicator Name</i>	<i>Description</i>
HEX0	Inversed low byte of Key Code
HEX1	Inversed high byte of Key Code
HEX2	Low byte of Key Code
HEX3	High byte of Key Code
HEX4	Low byte of Custom Code
HEX5	High byte of Custom Code
HEX6	Repeated low byte of Custom Code
HEX7	Repeated high byte of Custom Code

Figure 5-11 illustrates the setup for this demonstration.

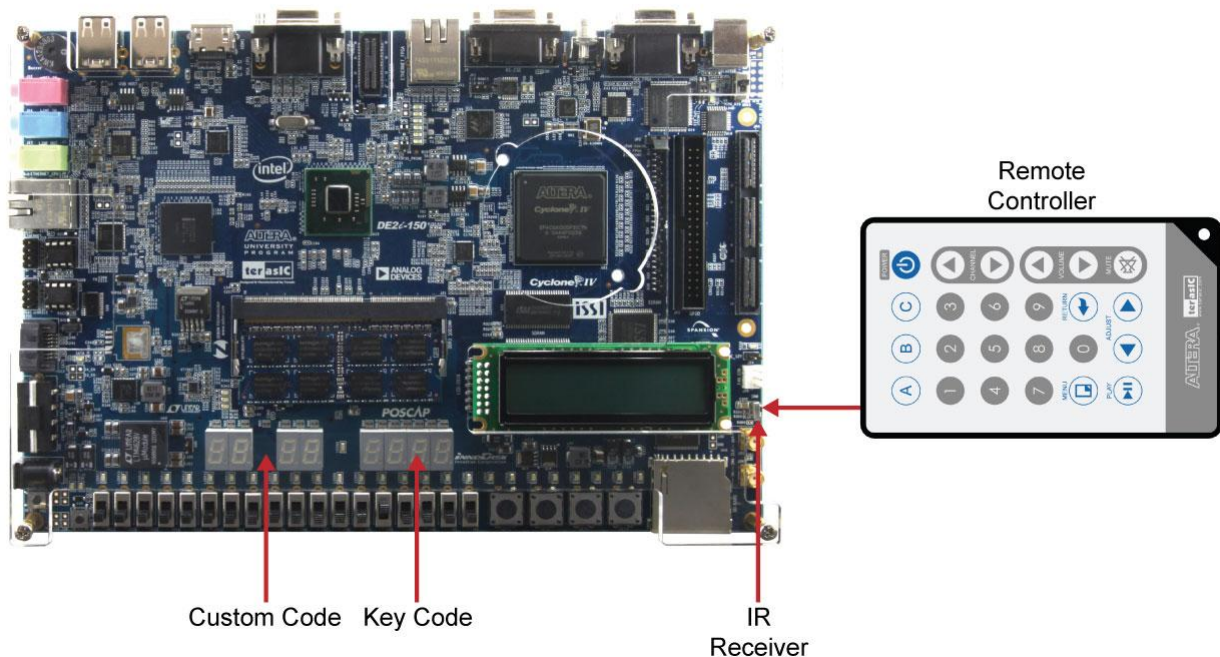


Figure 5-11 The Setup of the IR receiver demonstration

5-5 Web Server Demonstration

This design example shows a HTTP server using the sockets interface of the NicheStack™ TCP/IP Stack Nios II Edition on MicroC/OS-II to serve web content from the DE2i-150 board. The server can process basic requests to serve HTML, JPEG, GIF, PNG, JS, CSS, SWF, and ICO files from the Altera read-only .zip file system. Additionally, it allows users to control various board components from the web page.

As Part of the Nios II EDS, NicheStack™ TCP/IP Network Stack is a complete networking software suite designed to provide an optimal solution for network related applications accompany Nios II.

Using this demo, we assume that you already have a basic knowledge of TCP/IP protocols.

The following describes the related SOPC system. The SOPC system used in this demo contains Nios II processor, On-Chip memory, JTAG UART, timer, Triple-Speed Ethernet, Scatter-Gather DMA controller and other peripherals etc. In the configuration page of the Altera Triple-Speed Ethernet Controller, users can either set the MAC interface as MII or RGMII as shown in [Figure 5-12](#) and [Figure 5-13](#) respectively.

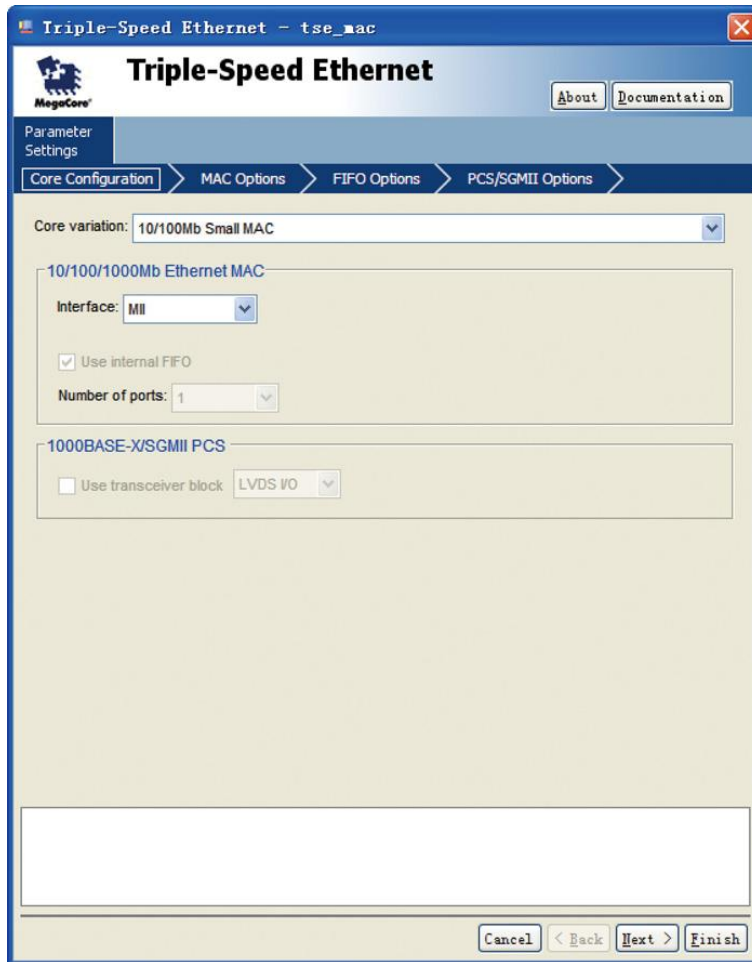


Figure 5-12 MII interface MAC Configuration

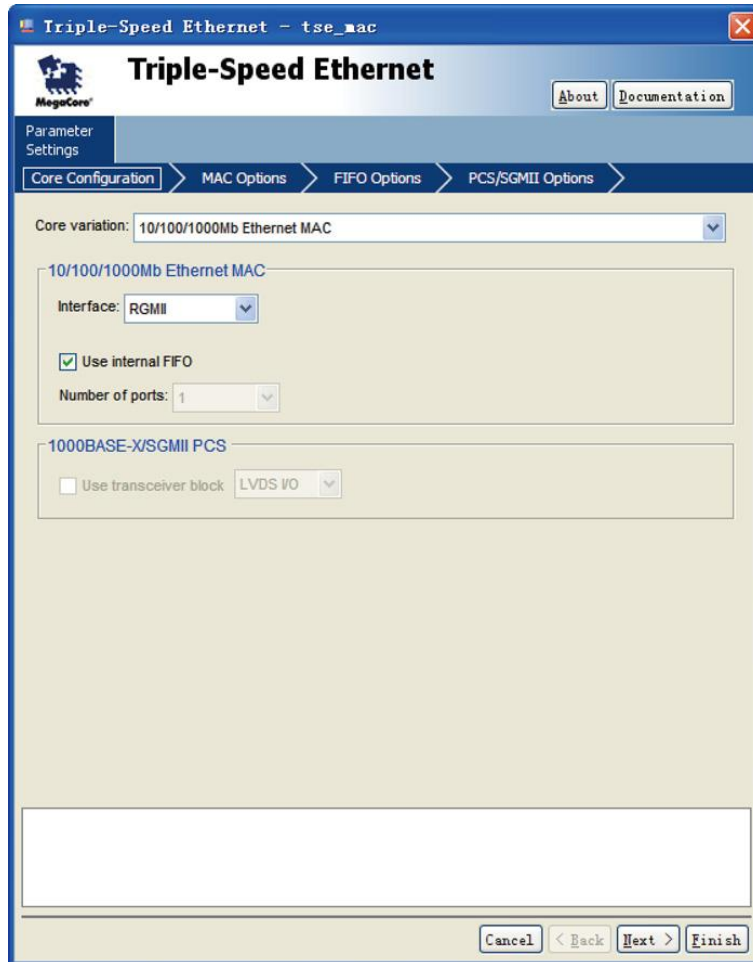


Figure 5-13 RGMI interface MAC Configuration

In the MAC Options tab (See [Figure 5-14](#)), users should set up proper values for the PHY chip 88E1111. The MDIO Module should be included, as it is used to generate a 2.5MHz MDC clock for the PHY chip from the controller's source clock(here a 100MHz clock source is expected) to divide the MAC control register interface clock to produce the MDC clock output on the MDIO interface. The MAC control register interface clock frequency is 100MHz and the desired MDC clock frequency is 2.5MHz, so a host clock divisor of 40 should be used.

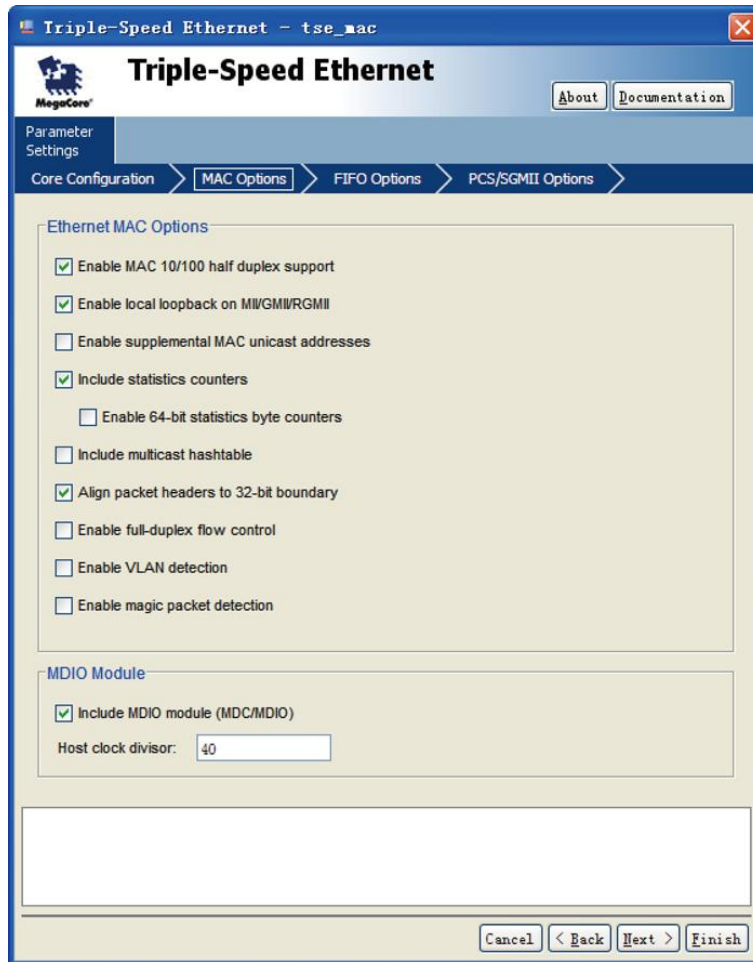


Figure 5-14 MAC Options Configuration

Once the Triple-Speed Ethernet IP configuration has been set and necessary hardware connections have been made as shown in **Figure 5-15**, click on generate.

Use	Connections	Module Name	Description	Clock	Base	End	Tags	IRQ
<input checked="" type="checkbox"/>	[Connections diagram for usb module]	usb	ISP1362_IF	altpll_sys	0x134424d8	0x134424df		
		hc	Avalon Memory Mapped Slave	altpll_sys	0x134424e0	0x134424e7		
		dc	Avalon Memory Mapped Slave	altpll_sys				
<input checked="" type="checkbox"/>	[Connections diagram for sdram module]	sdram	SDRAM Controller	altpll_sys	0x08000000	0x0fffffff		
		s1	Avalon Memory Mapped Slave	altpll_sys				
<input checked="" type="checkbox"/>	[Connections diagram for tse_mac module]	tse_mac	Triple-Speed Ethernet	altpll_sys				
		transmit	Avalon Streaming Sink	altpll_sys				
		receive	Avalon Streaming Source	altpll_sys				
		control_port	Avalon Memory Mapped Slave	altpll_sys	0x13442000	0x134423ff		
<input checked="" type="checkbox"/>	[Connections diagram for sgdma_tx module]	sgdma_tx	Scatter-Gather DMA Controller	altpll_sys	0x13442400	0x1344243f		
		csr	Avalon Memory Mapped Slave	altpll_sys				
		descriptor_read	Avalon Memory Mapped Master					
		descriptor_write	Avalon Memory Mapped Master					
		m_read	Avalon Memory Mapped Master					
		out	Avalon Streaming Source					
<input checked="" type="checkbox"/>	[Connections diagram for sgdma_rx module]	sgdma_rx	Scatter-Gather DMA Controller	altpll_sys	0x13442440	0x1344247f		
		csr	Avalon Memory Mapped Slave					
		descriptor_read	Avalon Memory Mapped Master					
		descriptor_write	Avalon Memory Mapped Master					
		m_write	Avalon Memory Mapped Master					
		in	Avalon Streaming Sink					
<input checked="" type="checkbox"/>	[Connections diagram for descriptor_memory module]	descriptor_me...	On-Chip Memory (RAM or ROM)					
		s1	Avalon Memory Mapped Slave	altpll_sys	0x13440000	0x13440fff		

Figure 5-15 SOPC Builder

Figure 5-16 shows the connections for programmable 10/100Mbps Ethernet operation via MII.

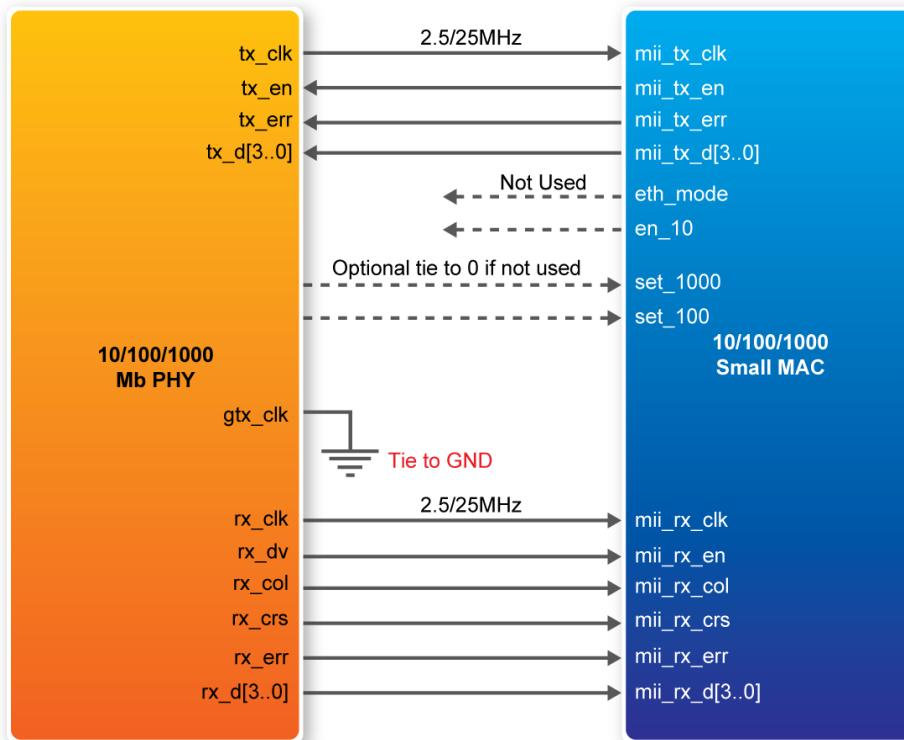


Figure 5-16 PHY connected to the MAC via MII

Figure 5-17 shows the connections for programmable 10/100/1000Mbps Ethernet operation via RGMII.

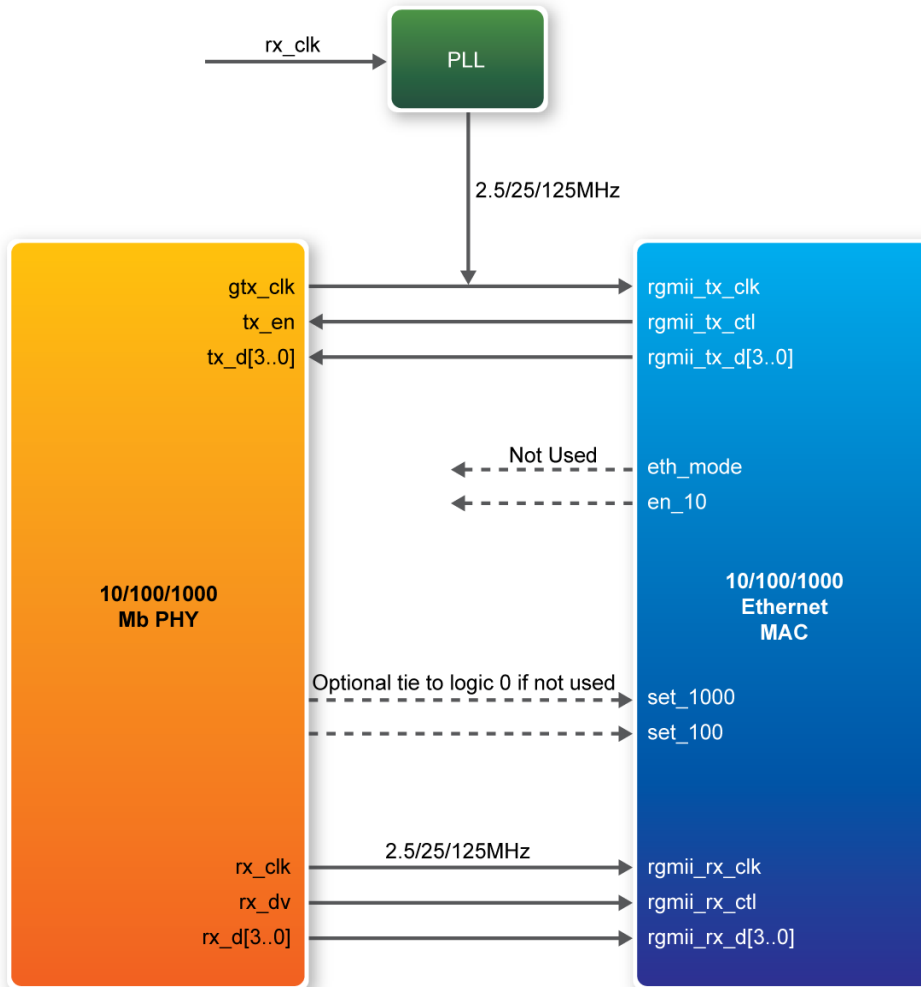


Figure 5-17 PHY connected to the MAC via RGMII

After the SOPC hardware project has been built, develop the SOPC software project, whose basic architecture is shown in **Figure 5-18**. The top block contains the Nios II processor and the necessary hardware to be implemented into the DE2i-150 host board. The software device drivers contain the necessary device drivers needed for the Ethernet and other hardware components to work. The HAL API block provides the interface for the software device drivers, while the Micro C/OS-II provides communication services to the NicheStack™ and Web Server. The NicheStack™ TCP/IP Stack software block provides networking services to the application block where it contains the tasks for Web Server.

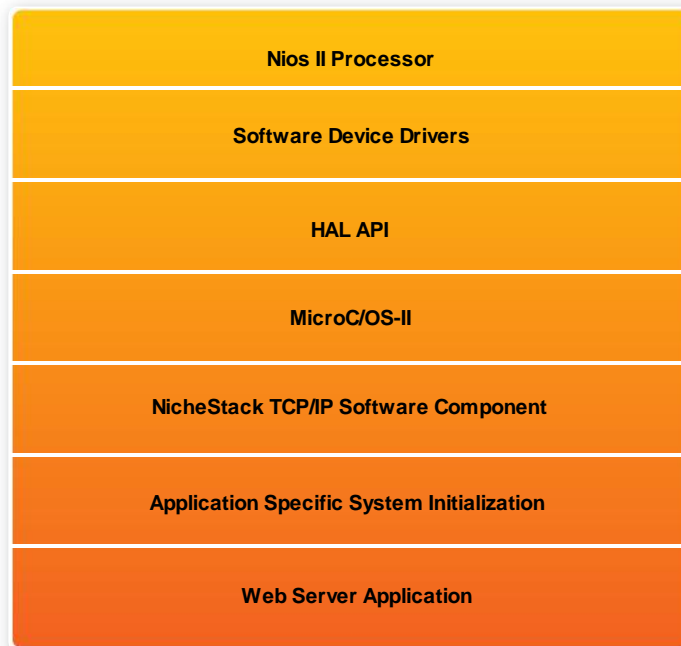


Figure 5-18 Nios II Program Software Architecture

Finally, the detail descriptions for Software flow chart of the Web Server program are listed in below:

Firstly, the Web Server program initiates the MAC and net device then calls the `get_mac_addr()` function to set the MAC addresses for the PHY. Secondly, it initiates the auto-negotiation process to check the link between PHY and gateway device. If the link exists, the PHY and gateway devices will broadcast their transmission parameters, speed, and duplex mode. After the auto-negotiation process has finished, it will establish the link. Thirdly, the Web Server program will prepare the transmitting and receiving path for the link. If the path is created successfully, it will call the `get_ip_addr()` function to set up the IP address for the network interface. After the IP address is successfully distributed, the NicheStack™ TCP/IP Stack will start to run for Web Server application.

Figure 5-19 describes this demo setup and connections on DE2i-150. The Nios II processor is running NicheStack™ on the MicroC/OS-II RTOS.



Note: your gateway should support DHCP because it uses DHCP protocol to request a valid IP from the Gateway, or else you would need to reconfigure the system library to use static IP assignment. Furthermore, the web server demonstration uses the RGMII or MII interface to access the TCP/IP. You can switch the MAC Interface via JP1 and JP2 for Ethernet 0 and Ethernet 1 respectively. **Table 5-3** shows the project name of web server demonstration for each Ethernet Port and working mode.

Table 5-3 Demo Directory Paths

<i>Interface</i>	<i>Project directory</i>
RGMI interface	DE2i_150_Web_Server\ DE2i_150_WEB_SERVER_RGMI
MII interface	DE2i_150_Web_Server\ DE2i_150_WEB_SERVER_MII

■ Demonstration Setup, File Locations, and Instructions

The Following steps describe how to setup a Web Server demonstration on the ENET0 in RGMII mode.

- Copy project directory from *Demonstrations\FPGA\DE2i_150_Web_Server* in the DE2i-150 System CD to your host PC
- Make sure the PHY device is working on RGMII mode (Short pin 1 and pin 2 of JP2)
- Plug a CAT 5e cable into the Ethernet port (J11) on the DE2i-150 board (Make sure the Ethernet cable is connected to router and the DHCP function is supported)
- Execute the demo batch file “WEB_SERVER_FLASH.bat” from *DE2i_150_Web_Server\WEB_SERVER_FLASH* to write web site content into flash on DE2i-150 board
- Execute the demo batch file “test.bat” from *DE2i_150_Web_Server\DE2i_150_WEB_SERVER_RGMI\demo_batch* for downloading .sof and .elf file for this demonstration
- See **Figure 5-20**, when the message “Web Server Starting up” is shown on nios2-terminal. The LCD on DE2i-150 board will show the valid IP address (It may take a while to get IP address from Gateway)
- Input the IP into your browser. (IP is shown on the LCD display)
- You will see the brand new DE2i-150 webpage on your computer
- On the web page, you could access the DE2i-150 board’s peripherals from the left sidebar or link to external pages from the right sidebar. Try check some LEDs on the left sidebar and then press send will light up the specified LEDs on board. You also could send text to the LCD or set the value for 7-segment displays on DE2i-150 board. **Figure 5-21** gives a snapshot of the web server page

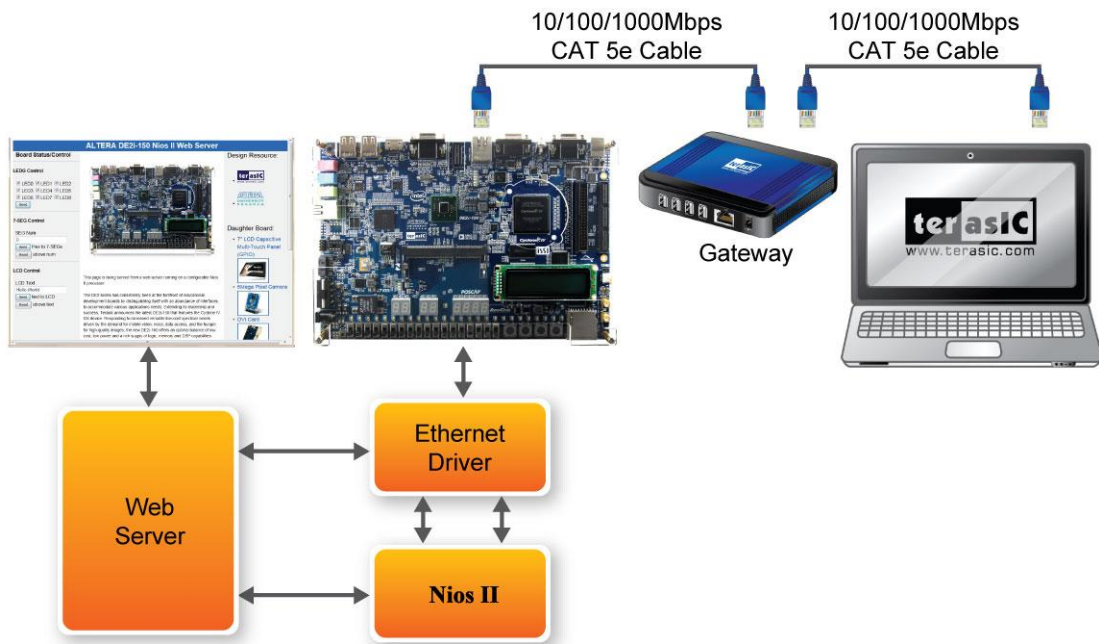


Figure 5-19 System Principle Diagram

```

C:\> Altera Nios II EDS 13.0 [gcc4]

MARUELL : Mode changed to RGMII/Modified MII to Copper mode
MARUELL : Enable RGMII Timing Control
MARUELL : PHY reset
INFO    : PHY[0.0] - Checking link...
INFO    : PHY[0.0] - Link not yet established, restart auto-negotiation...
INFO    : PHY[0.0] - Restart Auto-Negotiation, checking PHY link...
INFO    : PHY[0.0] - Auto-Negotiation PASSED
INFO    : PHY[0.0] - Link established
INFO    : PHY[0.0] - Speed = 100, Duplex = Full
OK, x=1, CMD_CONFIG=0x00000000

MAC post-initialization: CMD_CONFIG=0x04000203
[tse_sgdma_read_init] RX descriptor chain desc (1 depth) created
mctest init called
IP address of et1 : 192.168.21.171
Created "Inet main" task (Prio: 2)
Created "clock tick" task (Prio: 3)
Acquired IP address via DHCP client for interface: et1
IP address : 192.168.21.214
Subnet Mask: 255.255.255.0
Gateway    : 192.168.21.1
Created "web server" task (Prio: 4)

Web Server starting up
    
```

Figure 5-20 Web Server Starting Success



Figure 5-21 Served web page for DE2i-150

PCI Express Introduction

This chapter describes how to use the PCI Express interface on the DE2i-150 board. A Terasic designed PCI Express framework is provided with which users can easily communicate with FPGA from the Yocto Linux Host system regardless of abstract PCI Express knowledge. In the framework, users can perform basic direct I/O functions for control or data transmission, or high-speed data transmission via DMA. The discussion is based on the assumption that the user has the basic knowledge of C language and Verilog hardware description language. Also the user should be familiar with the Quartus II software and Linux operating system.

6-1 PCI Express System Framework

The PCI Express framework consists of two primary parts, the PCI express system in the FPGA and the PCI express software development kit (SDK) in the host computer. The FPGA system is developed based on the Altera Qsys Builder. In a host computer system, the PCI express SDK is provided so the developer can easily design their applications to communicate with the FPGA. **Figure 6-1** shows the system framework.

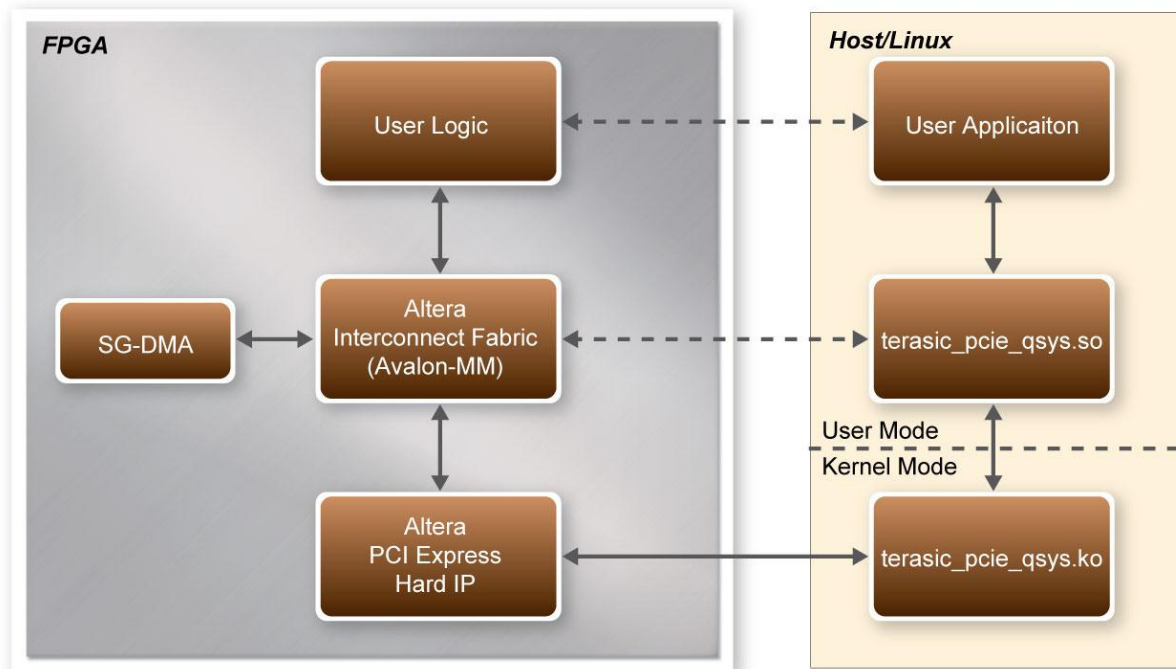


Figure 6-1 PCI Express System Framework

6-2 FPGA: PCI Express System Design

The FPGA PCI Express system is built based on the Altera Qsys builder. In the framework, all hardware controllers are connected with each other through the Avalon Memory-Mapped (Avalon-MM) interface, so master controllers (e.g. DMA) can easily access slave controller (e.g. memory) in a memory-mapped manner. Scatter-Gather DMA (SG-DMA) is included in the frame to provide high-speed data transmission. **Figure 6-2** shows the PCI Express framework under Altera Qsys. In the framework, the host can directly control user logic (e.g. LED PIO Controllers) through the PCI Express Avalon MM master port bar1_0. PCI Express bar2 Avalon MM master is provided for host to configure the SG-DMA engine. The SGDMA can perform data transmission between any two Avalon MM slave controllers.

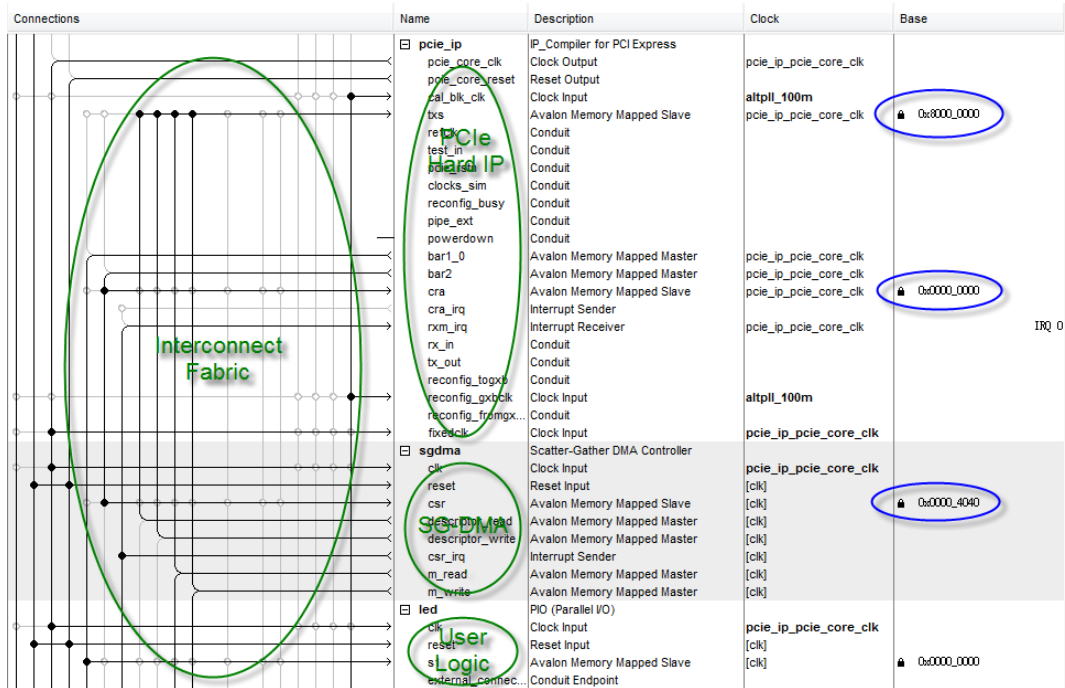


Figure 6-2 PCIe Framework based on Altera Qsys

Note that in Qsys, the Avalon slave port address in the following table must be fixed, otherwise the host SDK will not work as intended.

Avalon Slave Port	Fixed Address
pcie_ip: txs slave port	0x8000_0000
pcie_ip: cra slave port	0x0000_0000
sgdma: csr slave port	0x0000_4040

6-3 Linux Host: PCI Express System Design

The System CD contains a Linux based SDK to allow users to develop their 32-bits application software application on 32-bits Linux.

■ PCI Express Software Stack

Figure 6-3 shows the software stack for the PCI Express application software on the built-in Yocto Linux. The I/O and SG-DMA details are implemented in the share object `terasic_pcie_qsys.so`. Users can develop their application software based on this shared object regardless of PCIe Express knowledge.

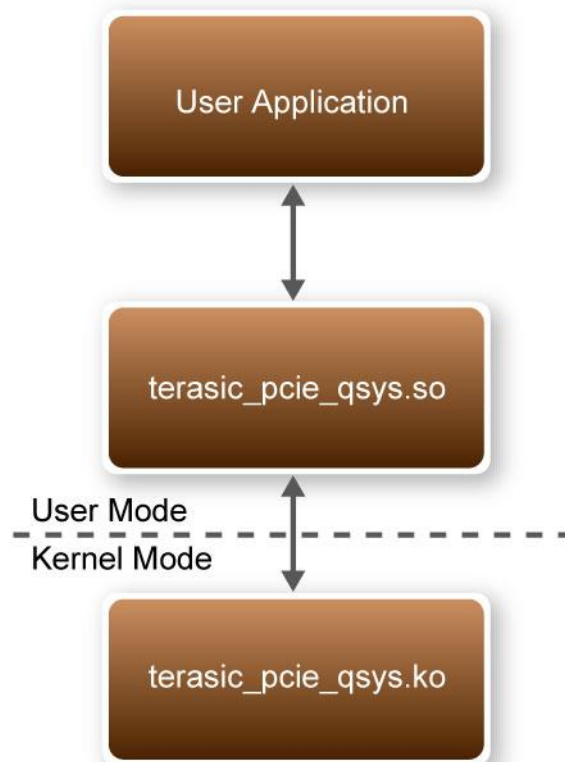


Figure 6-3 PCI Express Software Stack on Yocto

■ PCI Express Driver

The PCI Express driver is located in the folder:

CDROM\Demonstrations\PCIe_SW_KIT\Linux\PCIe_DriverInstall

The folder includes:

- terasic_qsys_pcie.ko: pcie kernel driver
- load_terasic_qsys_pcie_driver.sh: batch to load kernel driver
- de2i_150_config_file: config file for kernel driver:
- unload_terasic_qsys_pcie_driver.sh: batch to unload kernel driver

If the developer modifies the PCI Express vendor ID (VID) and device ID (DID) in the FPGA PCI Express design, users need to modify the corresponding content in the **de2i_150_config_file**.

■ Installation of PCI Express Driver

Before executing the PCI Express application, users need to load the driver first. Here are the procedures to install the PCIe driver on a Yocto Host.

- Copy the "CDROM\Demonstrations\PCIe_SW_KIT\Linux\PCIe_DriverInstall" folder to your local disk
- In the Yocto root terminal, type "sh ./load_terasic_qsys_pcie_driver.sh de2i_150_config_file"

The **de2i_150_config_file** configuration file is not necessary if the PCI express configuration has not been changed in the FPGA PCI Express design.

■ PCI Express Library

The PCI Express driver located in the folder:

CDROM\Demonstrations\PCIe_SW_KIT\Linux\PCIe_Library

The folder includes:

- `terasic_pcie_qsys.so`: pcie library, dynamically linked by user application
- `TERASIC_PCIE.h`: header file for the library
- `PCIE.c`: code body for dynamic load the shared object file `terasic_pcie_qsys.so`
- `PCIE.h`: header file for the `PCIE.c`

The PCI Express Library is implemented as a shared object, called as **terasic_pcie_qsys.so**. With the exported API in the shared object, users can easily communicate with the FPGA. The library provides the following functions:

- Direct I/O for control and data transmission
- DMA for high speed data transmission

The **TERASIC_PCIE.h** defines the required data structure for using **terasic_pcie_qsys.so**. **PCIE.c** and **PCIE.h** implement the function to dynamically load the shared object file **terasic_pcie_qsys.so**. Users' application project can include the those files and calling the exported API regardless of dynamic loading skill.

■ Create a Software Application

Below lists the procedures to use the PCI Express library files in users' C/C++ project:

- Create a project Makefile.
- Copy TERASIC_PCIE.h, PCIE.c, and PCIE.h into project's folder.
- Copy terasic_pcie_qsys.so to the folder where your application execution file is located.
- Create your program files. Then, include "PCIE.h" in your program files, and call the PCI Express API.
- Add PCIE.c and your program files into the Makefile.
- Add "-ldl" link option to the project Makefile to specify including the dynamic load library.
- Call the exported API in terasic_pcie_qsys.so to implement the desired application.
- Make the execution file.

■ terasic_pcie_qsys.so API

Using the exported software API in **terasic_pcie_qsys.so**, users can easily communicate with the FPGA through the PCI Express bus. The API details are described below:

PCIE_Open

Function: Open a specified PCIe card with vendor ID, device ID, and matched card index.
Prototype: <pre>PCIE_HANDLE PCIE_Open(WORD wVendorID, WORD wDeviceID, WORD wCardIndex);</pre>
Parameters: wVendorID: Specify the desired vendor ID. A zero value means to ignore the vendor ID. wDeviceID: Specify the desired device ID. A zero value means to ignore the device ID. wCardIndex: Note, these three parameters are ignored in Linux edition..
Return Value: Return a handle to presents specified PCIe card. A positive value is return if the PCIe card is opened successfully. A value zero means failed to connect the target PCIe card.

This handle value is used as a parameter for other functions, e.g. PCIE_Read32.
Users need to call PCIE_Close to release handle once the handle is no more used.

PCIE_Close

Function:

Close a handle associated to the PCIe card.

Prototype:

```
void PCIE_Close(  
    PCIE_HANDLE hPCIE);
```

Parameters:

hPCIE:
A PCIe handle return by PCIE_Open function.

Return Value:

None.

PCIE_Read32

Function:

Read a 32-bits data from the FPGA board.

Prototype:

```
bool PCIE_Read32(  
    PCIE_HANDLE hPCIE,  
    PCIE_BAR PcieBar,  
    PCIE_ADDRESS PcieAddress,  
    DWORD * pdwData);
```

Parameters:

hPCIE:
A PCIe handle return by PCIE_Open function.

PcieBar:
Specify the target BAR.

PcieAddress:
Specify the target address in FPGA.

pdwData:
A buffer to retrieve the 32-bits data.

Return Value:

Return TRUE if read data is successful; otherwise FALSE is returned.

PCIE_Write32

Function:

Write a 32-bits data to the FPGA Board.

Prototype:

```
bool PCIE_Write32(  
    PCIE_HANDLE hPCIE,  
    PCIE_BAR PcieBar,  
    PCIE_ADDRESS PcieAddress,  
    DWORD dwData);
```

Parameters:

hPCIE:

A PCIe handle return by PCIE_Open function.

PcieBar:

Specify the target BAR.

PcieAddress:

Specify the target address in FPGA.

dwData:

Specify a 32-bits data which will be written to FPGA board.

Return Value:

Return TRUE if write data is successful; otherwise FALSE is returned.

PCIE_DmaRead

Function:

Read data from the memory-mapped memory of FPGA board in DMA function.

Prototype:

```
bool PCIE_DmaRead(  
    PCIE_HANDLE hPCIE,  
    PCIE_LOCAL_ADDRESS LocalAddress,  
    void *pBuffer,  
    DWORD dwBufSize  
);
```

Parameters:

hPCIE:

A PCIe handle return by PCIE_Open function.

LocalAddress:

Specify the target memory-mapped address in FPGA.

pBuffer:

A pointer to a memory buffer to retrieved the data from FPGA. The size of buffer should be equal or larger the dwBufSize.

dwBufSize:

Specify the byte number of data retrieved from FPGA.

Return Value:

Return TRUE if read data is successful; otherwise FALSE is returned.

PCIE_DmaWrite

Function:

Write data to the memory-mapped memory of FPGA board in DMA function.

Prototype:

```
bool PCIE_DmaWrite(  
    PCIE_HANDLE hPCIE,  
    PCIE_LOCAL_ADDRESS LocalAddress,  
    void *pData,  
    DWORD dwDataSize  
);
```

Parameters:

hPCIE:

A PCIe handle return by PCIE_Open function.

LocalAddress:

Specify the target memory mapped address in FPGA.

pData:

A pointer to a memory buffer to store the data which will be written to FPGA.

dwDataSize:

Specify the byte number of data which will be written to FPGA.

Return Value:

Return TRUE if write data is successful; otherwise FALSE is returned.

PCIE_DmaFIFORead

Function:

Read data from the memory FIFO of FPGA board in DMA function.

Prototype:

```
bool PCIE_DmaFIFORead(  
    PCIE_HANDLE hPCIE,  
    PCIE_LOCAL_FIFO_ID LocalFIFOId,  
    void *pBuffer,  
    DWORD dwBufSize  
);
```

Parameters:

hPCIE:

A PCIe handle return by PCIE_Open function.

LocalFIFOId:

Specify the target memory FIFO ID in FPGA.

pBuffer:

A pointer to a memory buffer to retrieved the data from FPGA. The size of buffer should be equal or larger the dwBufSize.

dwBufSize:

Specify the byte number of data retrieved from FPGA.

Return Value:

Return TRUE if read data is successful; otherwise FALSE is returned.

PCIE_DmaFIFOWrite

Function:

Write data to the memory FIFO of FPGA board in DMA function.

Prototype:

```
bool PCIE_DmaFIFOWrite(  
    PCIE_HANDLE hPCIE,  
    PCIE_LOCAL_FIFO_ID LocalFIFOId,  
    void *pData,  
    DWORD dwDataSize  
);
```

Parameters:

hPCIE:

A PCIe handle return by PCIE_Open function.

LocalFIFOId:

Specify the target memory FIFO ID in FPGA.

pData:

A pointer to a memory buffer to store the data which will be written to FPGA.

dwDataSize:

Specify the byte number of data which will be written to FPGA.

Return Value:

Return TRUE if write data is successful; otherwise FALSE is returned.

6-4 Operation of Yocto

This section will introduce some basic operation for Linux built by Yocto project, so users can perform the following demo smoothly.

■ Boot Operation System

Here are the procedures to boot Yocto on DE2i-150:

1. Connect USB keyboard and mouse to the USB-Port (J2 or J3)
2. Connect LCD display to the VGA port (J4) or HDMI Port(J1).
3. Make sure mSATA-Disk with pre-loaded Yocto image is installed on mini PCIe socket (J35 and J36)located in the bottom of DE2i-150 board.
4. Make sure the 12V Power supply is connected to DE2i-150
5. Clock the "Power On" button to boot the OS.
6. After the Yocto boot is completed, you will see the GUI as shown in **Figure 6-4**.

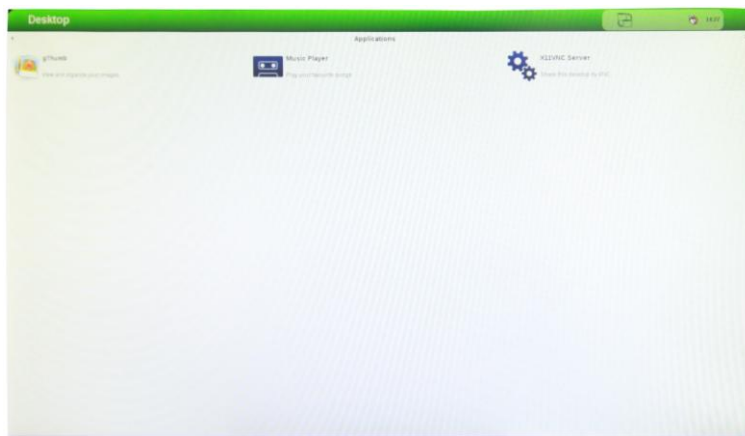
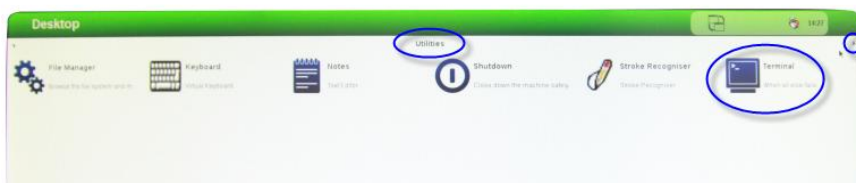


Figure 6-4 Linux built by Yocto Project

■ Copy file into Operation System

Here, describe how to copy files from an external USB-Storage into mSATA-Disk where Yocto is running.

1. In your working PC, copy the demo file from SYSTM CD into an USB-Storage
2. After Yocto booted, insert the USB-Storage into DE2i-150 USB Port
3. Use mouse to click the "arrow symbol" to the "Utilites" group, then click "Termianl" icon to enter Linux Terminal.



4. In terminal, you can type "pwd" Linux command to print current directory. "/home/root" is expected.
5. Please make sure the USB-Storage had plug into USB Port(J2 or J3) on the DE2i-150, and type "ls /media " to list all mounted removable device. We assume your USB-Storage is mount with the device name "sdb1". Type "ls /media/sdb1" can list the root direct files in your USB-Storage.
6. If you want copy the "PCIe_DriverInstall" folder on the USB storage into the Yocto /home/root folder, please type "pc -r /media/sdb1/ PCIe_DriverInstall PCIe_DriverInstall".
7. To exit the terminal, can type "Exit". To shut down the Yocto, can type "poweroff", To restart the Yocto, can type "reboot".

6-5 Installation of PCI Express Driver

Before executing the PCI Express application, users need to load the driver first. Here are the procedures to install PCIe driver on Yocto Host.

- Copy the "CDROM\demonstrations\PCIe_SW_KIT\Linux\PCIe_DriverInstall" folder to local disk
- In Yocto terminal, type "sh ./load_terasic_qsys_pcie_driver.sh de2i_150_config_file"

The **de2i_150_config_file** configure file is not necessary if PCI express configuration has not been changed in the FPGA PCI Express design.

6-6 Demo: Fundamental Communication

The application reference design shows how to implement fundamental control and data transfer. In the design, direct I/O is used to access the BUTTON and LED on the FPGA board. High-speed data transfer is performed by SG-DMA on both On-Chip Memory and On-Chip FIFO.

■ Demonstration Files Location

The demo files are located in the folder:

CDROM\Demonstrations\FPGA\PCIE_Fundamental\demo_batch

The folder includes the following files:

- FPGA Configuration File: de2i_150_qsys_pcie.sof.
- FPGA Programming Batch File: sof_download.bat
- Host Application Software: app
- Host PCI Express Shared Library: terasic_pcie_qsys.so

■ Demonstration Setup

1. Power on your DE2i-150 board.
2. Make sure Altera Quartus Programmer is installed on your PC
3. Copy all files in the demo_batch to your local hard disk in the Yocto Host.
4. Execute test.bat to configure FPGA by PCIE_Fundamental.sof in your PC.
5. In the Yocto terminal, type “reboot” to restart the Yocto Host
6. Load the PCI Express driver. For details, please see section 6.5 "Installation of PCI Express Driver".
7. In the Yocto terminal, type "./app".
8. A menu will appear as shown below; select the desired function to test.

```
== Terasic: PCIe Demo Program ==  
=====  
[0]: Led control  
[1]: Button Status Read  
[2]: DMA Memory Test  
[3]: DMA FifoTest  
[99]: Quit  
Plesae input your selection:█
```

■ Development Tools

- Quartus II 12.1
- GNU GCC

■ Demonstration Source Code Location

- Quartus Project: CDR0M\Demonstration\PCIE_Fundamental
- C Application Project: CDR0M\Demonstration\PCIE_Fundamental\linux_app

■ FPGA Design

This PCI Express demonstration provides four functions:

- Control LED by direct I/O

- Query button status by direct I/O
- DMA write and read-back test for Memory-mapped memory
- DMA write and read-back test for FIFO memory

錯誤! 找不到參照來源。 shows the block diagram in the FPGA based on the Terasic PCI Express framework. The data transfer between On-Chip Memory/FIFO and host memory is performed by the SG-DMA.

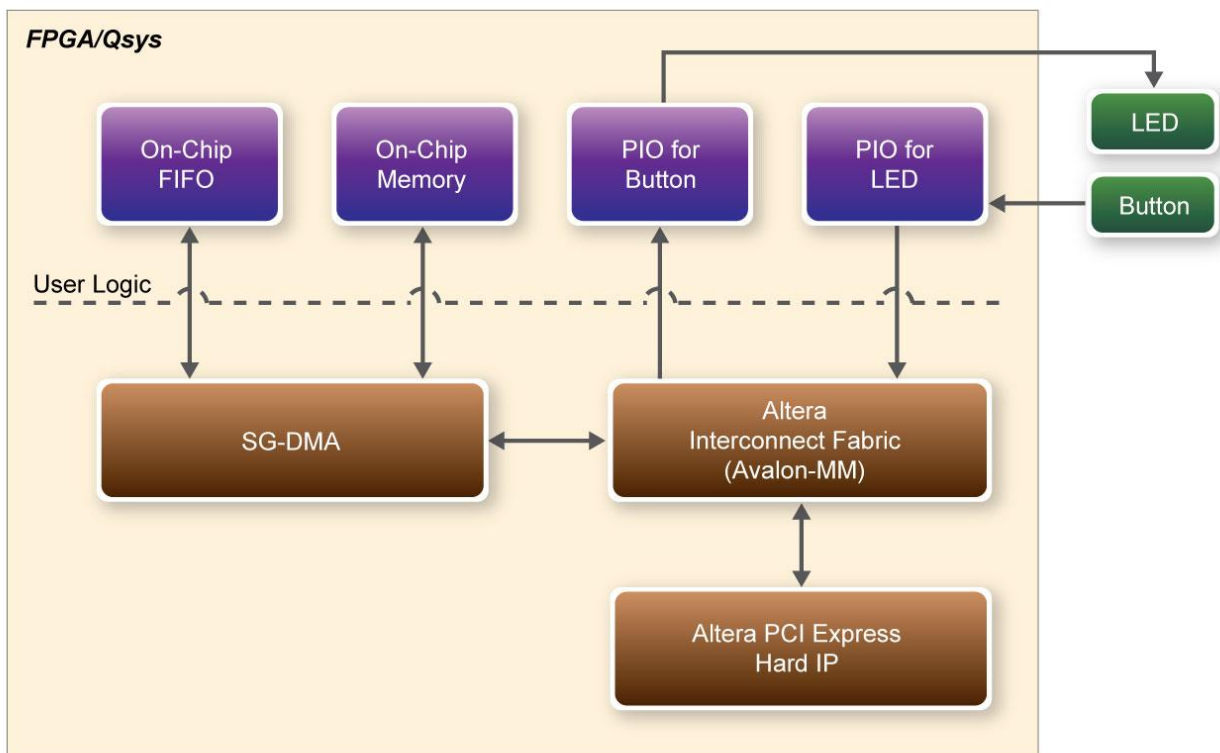


Figure 6-5 Block diagram of the PCI Express design in FPGA

Figure 6-5 shows the user logic components used in Altera Qsys.

Name	Description	Clock	Base	End
<input type="checkbox"/> led clk reset s1 external_connection	PIO (Parallel IO) Clock Input Reset Input Avalon Memory Mapped Slave Conduit Endpoint	pcie_ip_pcie_core_clk [clk] [clk]	0x0000_0000	0x0000_001f
<input type="checkbox"/> button clk reset s1 external_connection	PIO (Parallel IO) Clock Input Reset Input Avalon Memory Mapped Slave Conduit Endpoint	pcie_ip_pcie_core_clk [clk] [clk]	0x0000_0020	0x0000_003f
<input type="checkbox"/> fifo_memory clk_in reset_in in in_csr out	On-Chip FIFO Memory Clock Input Reset Input Avalon Memory Mapped Slave Avalon Memory Mapped Slave Avalon Memory Mapped Slave	pcie_ip_pcie_core_clk [clk_in] [clk_in] [clk_in] [clk_in]	0x0000_0040 0x0000_0080 0x0000_0080	0x0000_0047 0x0000_007f 0x0000_0087
<input type="checkbox"/> onchip_memory clk1 s1 reset1 s2 clk2 reset2	On-Chip Memory (RAM or ROM) Clock Input Avalon Memory Mapped Slave Reset Input Avalon Memory Mapped Slave Clock Input Reset Input	pcie_ip_pcie_core_clk [clk1] [clk1] [clk1] pcie_ip_pcie_core_clk [clk2]	0x0002_0000 0x0000_0000	0x0003_ffff 0x0001_ffff

Figure 6-6 User Logic components in Altera Qsys

■ Host Application Software Design

The application shows how to call the shared library `terasac_pcie_qsys.so` exported API under Yocto. The application software includes the following files:

<i>Name</i>	<i>Description</i>
app.c	Main program
PCIE.c	SDK library file, implement dynamically load for the shared object library file <code>terasac_pcie_qsys.so</code>
PCIE.h	
TERASIC_PCIE.h	SDK library file, defines constant and data structure
Makefile	Makefile for gcc

The main program `app.c` includes the header file "PCIE.h" and defines the component address according to the FPGA design.

```
#include "PCIE.h"

#define DEMO_PCIE_USER_BAR      PCIE_BAR0
#define DEMO_PCIE_IO_LED_ADDR  0x00
#define DEMO_PCIE_IO_BUTTON_ADDR 0x20
#define DEMO_PCIE_FIFO_WRITE_ADDR 0x40
#define DEMO_PCIE_FIFO_STATUS_ADDR 0x60
#define DEMO_PCIE_FIFO_READ_ADDR 0x80
#define DEMO_PCIE_MEM_ADDR     0x20000

#define MEM_SIZE      (128*1024) //128KB
#define FIFO_SIZE     (16*1024) // 2KBx8
```

Before accessing the FPGA through PCI Express, the application first calls `PCIE_Open` API to open the PCI Express driver. If the return handle is zero, it means the driver cannot be accessed successfully. In this case, please make sure:

- The FPGA is configured with the associated bit-stream file and the Yocto host is rebooted.
- The PCI express driver is loaded successfully.

The LED control is implemented by calling `PCIE_Write32` API, as shown below:

```
hPass = PCIE_Write32(hPCIE, DEMO_PCIE_USER_BAR, DEMO_PCIE_IO_LED_ADDR, (DWORD)Mask);
```

The button status query is implemented by calling the `PCIE_Read32` API, as shown below:

```
PCIE_Read32(hPCIE, DEMO_PCIE_USER_BAR, DEMO_PCIE_IO_BUTTON_ADDR, &Status);
```

The memory-mapped memory read and write test is implemented by `PCIE_DmaWrite` and `PCIE_DmaRead` API, as shown below:

```
PCIE_DmaWrite(hPCIE, LocalAddr, pWrite, nTestSize);

PCIE_DmaRead(hPCIE, LocalAddr, pRead, nTestSize);
```

The FIFO memory read and write test is implemented by `PCIE_DmaFIFOWrite` and `PCIE_DmaFIFORead` API, as shown below:

```
PCIE_DmaFifoWrite(hPCIE, FifoID_Write, pBuffer, nTestSize);

PCIE_DmaFifoRead(hPCIE, FifoID_Read, pBuffer, nTestSize);
```

6-7 Demo: VGA Display

The application reference design shows how to send image data from host to FPGA, and display the image on LCD monitor. For high-speed data transmission, SG-DMA is used to transfer image data from Host to SDRAM. On the other hand, the Altera VIP suite is used to display the image. Here is the image data flow:

1. The host generates pattern images and translates the image data to SDRAM via SGDMA
2. The Altera VIP Frame-Reader IP reads the image data from the SDRAM and sends data to the Altera VIP Frame-Buffer IP
3. The Altera Frame-Buffer IP sends image data to the Altera VIP Video Output IP
4. The Altera Video Output IP sends data to the VGA encoder chip
5. The VGA encoder chip sends data to the monitor

■ Demonstration Files Location

The demo files are located in the folder:

`CDROM\Demonstrations\FPGA\PCIE_Display\demo_batch`

The folder includes following files:

1. FPGA Configuration File: `de2i_150_qsys_pcie.sof`.
2. FPGA Programming Batch File: `sof_download.bat`
3. Host Application Software: `app`
4. Host PCI Express Shared Library: `terasic_pcie_qsys.so`

■ Demonstration Setup

1. Connect a monitor to the J8 FPGA VGA port (J18)
2. Power on your DE2i-150 board.
3. Make sure Altera Quartus Programmer is installed on your PC.
4. Copy all files in the `demo_batch` to local hard disk in the Yocto Host.
5. On your PC, execute `test.bat` to configure the FPGA via `PCIE_Display.sof`.
6. In the Yocto terminal, type "reboot" to restart the Yocto host
7. Load the PCI express driver. For details, please see the section "Installation of PCI Express Driver"
8. In the Yocto terminal, type `./app`, and you will see the following message in the terminal.

```
== Terasic: PCIe VGA Demo Program ==  
DMA-Memory (Size = 1228800 bytes) pass  
DMA-Memory (Size = 1228800 bytes) pass  
DMA-Memory (Size = 1228800 bytes) pass  
DMA-Memory (Size = 1228800 bytes) pass  
DMA-Memory (Size = 1228800 bytes) pass  
DMA-Memory (Size = 1228800 bytes) pass  
DMA-Memory (Size = 1228800 bytes) pass  
DMA-Memory (Size = 1228800 bytes) pass
```

9. Also, you will see two test patterns alternatively displayed in the monitor as shown below.



■ Development Tools

1. Quartus II 12.1
2. GNU GCC

■ Demonstration Source Code Location

1. Quartus Project: CDRROM\Demonstration\PCIE_Display
2. C Application Project: CDRROM\Demonstration\PCIE_Display\linux_app

■ FPGA Design

Figure 6-7 shows the block diagram in the FPGA based on the Terasic PCI Express framework.

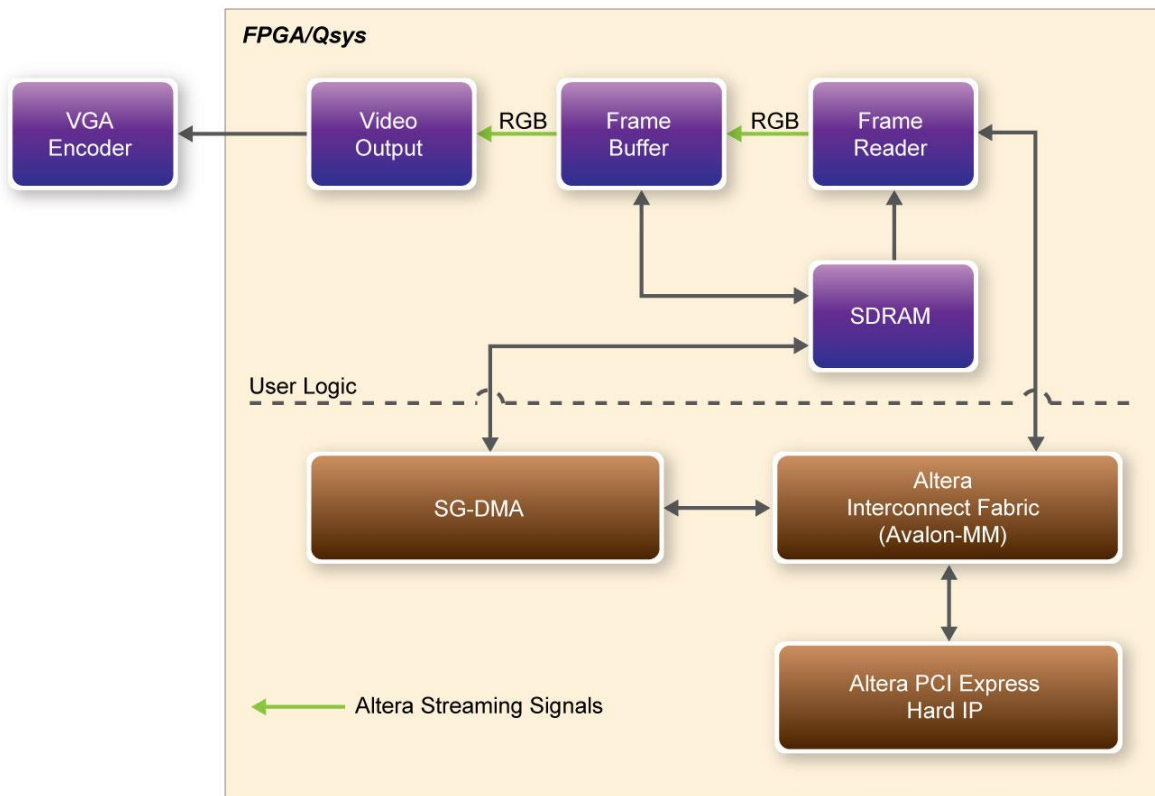


Figure 6-7 Block diagram of the PCI Express design in FPGA

Figure 6-8 shows the user logic components used in Altera Qsys.

Name	Description	Clock	Base	End
<input type="checkbox"/> alt_vip_vfr_0 clock_reset clock_reset_reset clock_master clock_master_re... avalon_slave interrupt_sender avalon_streamin... avalon_master	Frame Reader Clock Input Reset Input Clock Input Reset Input Avalon Memory Mapped Slave Interrupt Sender Avalon Streaming Source Avalon Memory Mapped Master	altpll_sys [clock_reset] altpll_sys [clock_master] [clock_reset] [clock_reset] [clock_reset] [clock_master]	0x0000_0200	0x0000_02ff
<input type="checkbox"/> alt_vip_vfb_0 clock reset din dout read_master write_master	Frame Buffer Clock Input Reset Input Avalon Streaming Sink Avalon Streaming Source Avalon Memory Mapped Master Avalon Memory Mapped Master	altpll_sys [clock] [clock] [clock] [clock] [clock]		
<input type="checkbox"/> alt_vip_itc_0 is_clk_rst is_clk_rst_reset din clocked_video	Clocked Video Output Clock Input Reset Input Avalon Streaming Sink Conduit	altpll_sys [is_clk_rst] [is_clk_rst]		
<input type="checkbox"/> sdram clk reset s1 wire	SDRAM Controller Clock Input Reset Input Avalon Memory Mapped Slave Conduit	altpll_sys [clk] [clk]	0x0800_0000	0x0fff_ffff

Figure 6-8 User Logic components in Altera Qsys

■ Host Application Software Design

The application shows how to call the shared library `terasic_pcie_qsys.so` exported API under Yocto. The application software includes the following files:

Name	Description
app.c	Main program
PCIE.c	SDK library file, implement dynamically load for the shared object library file <code>terasic_pcie_qsys.so</code>
PCIE.h	
TERASIC_PCIE.h	SDK library file, defines constant and data structure
Makefile	Makefile for gcc

The main program `app.c` includes the header file "`PCIE.h`" and defines the component address according to the FPGA design.

```

#include "PCIE.h"

#define xDMA_CHECK

#define DEMO_PCIE_USER_BAR      PCIE_BAR0

#define DEMO_PCIE_VGA_FRAME0_ADDR      (0x08000000 + 0x1000000)
#define DEMO_PCIE_VGA_FRAME1_ADDR      (0x08000000 + 0x2000000)
#define VGA_WIDTH                        640
#define VGA_HEIGHT                       480
#define VGA_BYTE_PER_PIXEL              4
#define VGA_FRAME_PIXEL_NUM             (VGA_WIDTH*VGA_HEIGHT)
#define VGA_FRAME_MEM_SIZE              (VGA_FRAME_PIXEL_NUM*VGA_BYTE_PER_PIXEL)
#define VIP_FRAME_READER_ADDR           0x200

```

Before accessing the FPGA through PCI Express, the application must first call PCIE_Open API to access the PCI Express driver. If the return handle is zero, it means driver cannot be accessed successfully. In this case, please make sure:

- The FPGA is configured with the associated bit-stream file.
- The PCI express driver is loaded successfully.

The Altera Frame-Reader IP can be specified with the image source address in run-time. We define two frame source areas, frame-0 and frame-1, in SDRAM to enable smooth frame transitioning. Here is control procedure:

1. Send pattern image to frame-0
2. Configure Frame-Reader to read the source image from frame-0
3. Send next pattern image to frame-1
4. Configure Frame-Reader to read source image from frame-1
5. Start again from Step 1

The constant DEMO_PCIE_VGA_FRAME_ADDR is for the image frame-0 base address, and DEMO_PCIE_VGA_FRAME1_ADDR configures the SDRAM frame-1 base address.

Translating the image from host to the SDRAM is implemented by calling **PCIE_DmaWrite**, as shown below:

```
PCIE_DmaWrite(hPCIE, LocalAddr, pPattern, nPatternSize);
```

The value of pPattern parameter can be

DEMO_PCIE_VGA_FRAME0_ADDR

DEMO_PCIE_VGA_FRAME1_ADDR.

Configuring the frame start address of the Altera Frame-Reader IP can be accomplished by calling the PCIE_Write32. For details about the Frame-Reader IP configuration register, please refer to IP's datasheet.

7-1 EPCS Programming via nios-2-flash-programmer

Before programming the EPCS via nios-2-flash-programmer, users must add an EPCS patch file nios-flash-override.txt into the Nios II EDS folder. The patch file is available in the folder Demonstrations\FPGA\EPCS_Patch of DE2i-150 System CD. Please copy this file to the folder [QuartusInstalledFolder]\nios2eds\bin (e.g. C:\altera\12.1\nios2eds\bin)

If the patch file is not included into the Nios II EDS folder, an error will occur as shown in the **Figure 7-1**.

```
Using cable "USB-Blaster [USB-01]", device 1, instance 0x00  
Resetting and pausing target processor: OK  
No EPCS layout data - looking for section [EPCS-010216]  
Unable to use EPCS device  
Leaving target processor paused
```

Figure 7-1 EPCS Message

7-2 Making HAL CFI Flash drivers to work with Spansion F-lash

The 29GL-S FLASH, which is used onto the DE2i-150 board, is a new generation of Spansion product. It is so new a flash device that Altera HAL flash driver cannot fully support it recently. In order to make HAL CFI Flash drivers work with Spansion Flash you need to change the #define READ_ARRAY_MODE from (alt_u8) 0xFF to (alt_u8) 0xF0 in the altera_avalon_cfi_flash_table.c.

For Quartus® II software version 6.1 and higher, you can locate this file at <Installation directory of ip>\sopc_builder_ip\altera_avalon_cfi_flash\HAL\src.

If not to change the codes to `#define READ_ARRAY_MODE (alt_u8) 0xF0` , the operation to the Flash will be abnormal, such as erase FLASH will not pass

7-3 Revision History

<i>Version</i>	<i>Change Log</i>
V1.0	Initial Version (Preliminary)
V1.1	Update Ethernet demo and pin assignment of SW[3]
V1.2	Add Section 6.4 "Operation of Yocto"
V1.3	Modified the default demo description

7-4 Copyright Statement

Copyright © 2013 Terasic Technologies. All rights reserved.