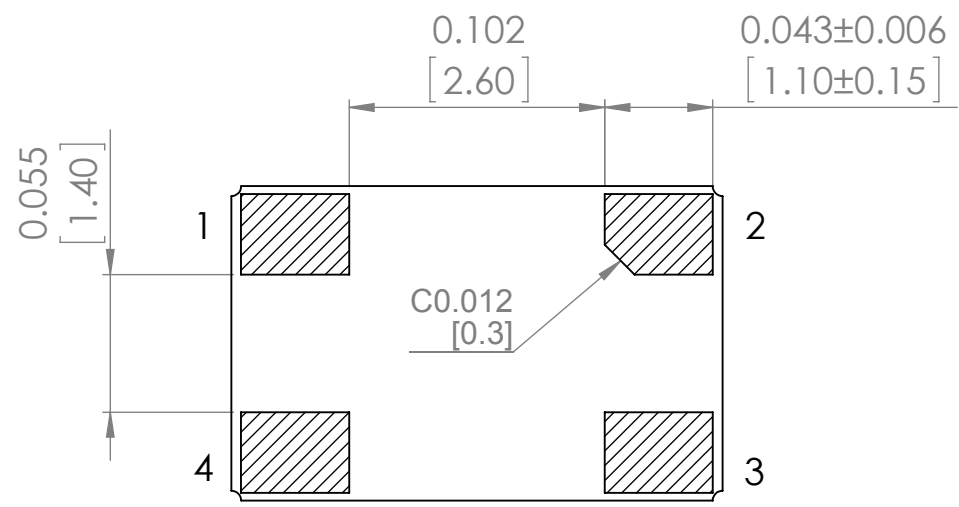
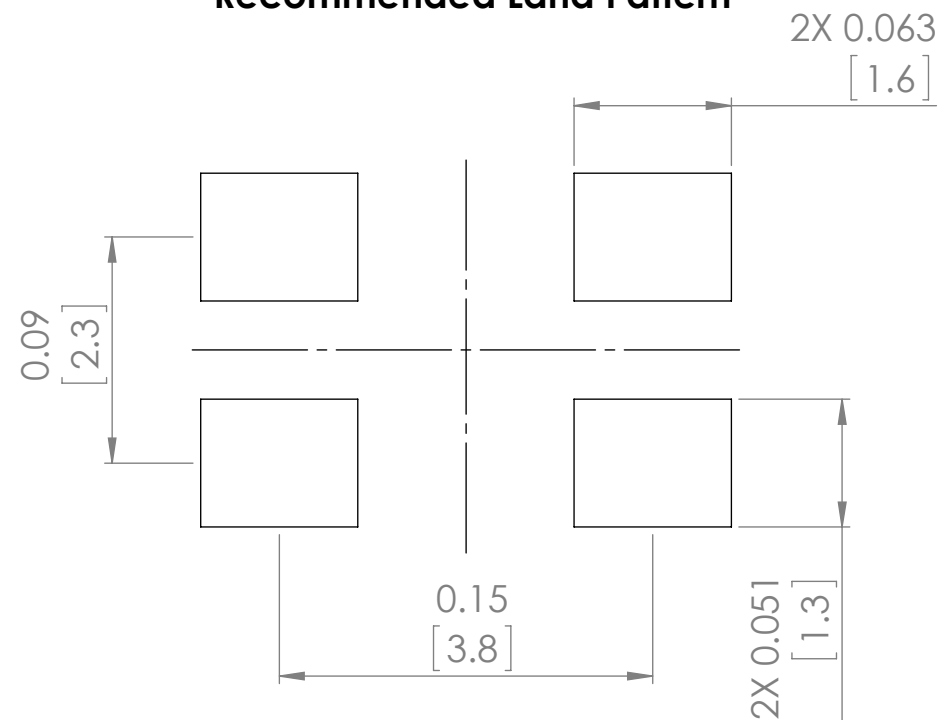
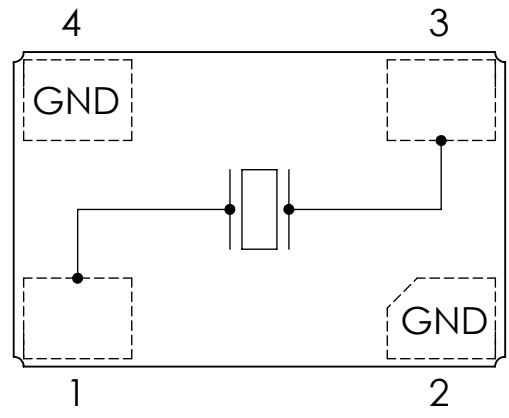


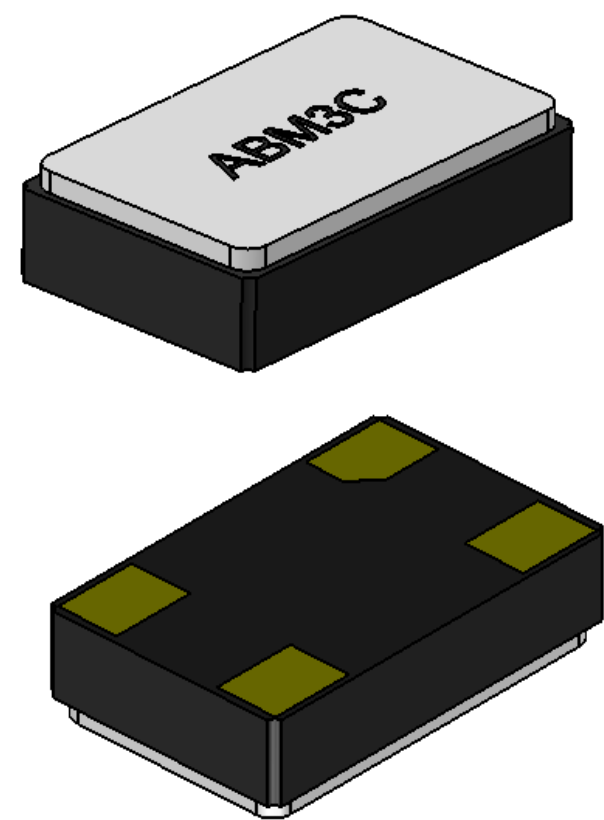
Recommended Land Pattern




Bottom View



Top View



Note:
 Due to the availability of raw materials, this part may be manufactured with the chamfer on pin 1, 2 or 3. Be advised that this does not affect the electrical characteristics of the crystal in any way.

UNLESS OTHERWISE SPECIFIED: DIMENSIONS ARE IN INCH(MM) SURFACE FINISH: TOLERANCES: LINEAR: ANGULAR:				FINISH:	DEBUR AND BREAK SHARP EDGES	DO NOT SCALE DRAWING	REVISION	-
DRAWN	NAME	SIGNATURE	DATE			 30332 Esperanza, Rancho Santa margarita, California 92688		
CHK'D	SAAZVAT					TITLE: Crystal		
APPV'D	XXXXXX					DWG NO. ABM3C		A3
MFG						SCALE:13:1		
Q.A					MATERIAL:	SHEET 1 OF 1		
					WEIGHT:			