

DATA-CON-X™: SEALED MINI-USB TYPE B CONNECTORS

NEW PRODUCT BULLETIN C710

CONXALL®

A SWITCHCRAFT COMPANY



CONXALL • 601 E Wildwood • Villa Park, IL 60181 • 630-834-7504
Please visit conxall.com for the most up-to-date product specifications. Made in USA.

DATA-CON-X™: SEALED MINI-USB TYPE B CONNECTORS

NEW PRODUCT BULLETIN C710



FEATURES & BENEFITS

- Sealed to IP67 & IP68 NEMA 250 (6P)
- Feed through, PC Tail or solder terminals for easy field installation
- Field installable design is easy to assemble
- Quick connect bayonet style interface
- RoHS compliant assembly

APPLICATIONS

- Any sealed data transmission
- Military or industrial GPS location devices
- Instrumentation
- Medical data carts
- Data acquisition units
- General industrial electronic applications



DATA-CON-X™: SEALED MINI-USB TYPE B CONNECTORS

NEW PRODUCT BULLETIN C710

SPECIFICATIONS

Mechanical Specifications

| | |
|-------------------------|-------------------------------|
| Life: | 500 Cycles Minimum |
| Vibration: | Mil-Std 202G Method 201A |
| Hex Nut Torque: | 10-12 in-lb |
| Coupling Locking Style: | Quick Connect (Bayonet) |
| Backshell Style: | Threaded Nut-Squeezed Grommet |

Electrical Specifications

Tested Per USB 2.0 Specifications

Environmental Specifications

| | |
|-------------------------------|---|
| Operating Temperature Rating: | -20 °C to +75 °C (-4°F to +167°F) |
| Moisture Resistance: | Mil-Std 202G method 106G |
| Insulation Resistance: | Mil-Std 202G Method 302 |
| Thermal Shock: | Mil-Std 202G Method 107G |
| Weathertight: | IP67 & IP68, NEMA 250 (6P) (when mated) |

Material Specifications

| | |
|------------------------------|---------------|
| Plug Nut, Coupling Nut: | Thermoplastic |
| Plug Housing, Insert: | Thermoplastic |
| Sealing Ring, O-Ring: | Elastomer |
| Panel Housing, Hex Nut: | Thermoplastic |
| Gasket: | Elastomer |
| Printed Circuit Board (PCB): | FR-4 |

Header:

| | |
|------------|------------------------------|
| Insulator: | Thermoplastic UL94V-0, Black |
| Contacts: | Copper Alloy, Gold Plated |

USB Mini-B Plug:

| | |
|---------------|--|
| Insulator: | Thermoplastic UL94V-0, Black |
| Contacts: | Copper Alloy, Gold Plated (Contact Area) |
| Metal Shield: | Steel, Tin Plated |

USB Mini-B Receptacle:

| | |
|---------------|--|
| Insulator: | Thermoplastic UL94V-0, Black |
| Contacts: | Copper Alloy, Gold Plated (Contact Area) |
| Metal Shield: | Copper Alloy, Nickel Plated |

Molded Cable Assemblies

Consult factory for molded options

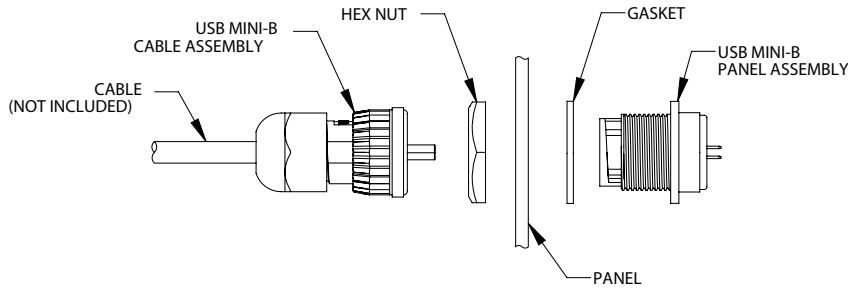
Other

| | |
|-------------------------------|----------------------------------|
| Recommended Cable O.D. Range: | 0.161-0.181 inches [4.1mm-4.6mm] |
| Recommended Panel Thickness: | 0.031-0.187 inches [0.8mm-4.8mm] |

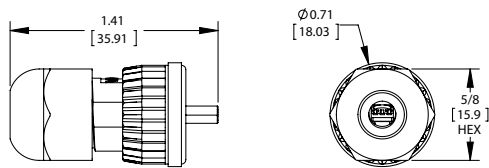


DATA-CON-X™: SEALED MINI-USB TYPE B CONNECTORS

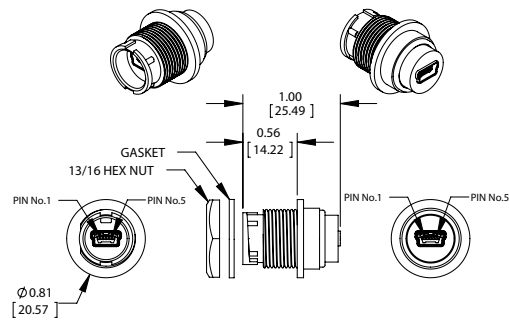
NEW PRODUCT BULLETIN C710



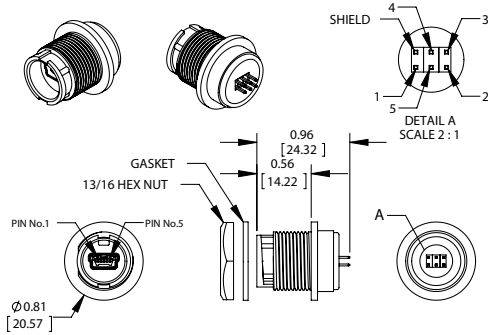
DCC-USBNB-160
USB Mini-B Cable Plug Field Installable



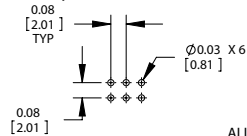
DCP-USBNB-USBN
USB Mini-B Feed-Thru



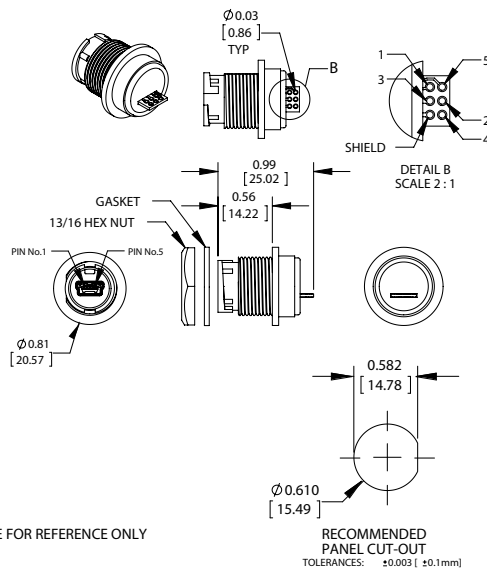
DCP-USBNB-MNHD
USB Mini-B to PC Tails



PCB Hole Layout for DCP-USBNB-MNHD



DCP-USBNB-MNSC
USB Mini-B to Solder Holes



RECOMMENDED PANEL CUT-OUT
TOLERANCES: ±0.003 (±0.1mm)

ALL PRODUCT DIMENSIONS ARE FOR REFERENCE ONLY

| Part Number | Style | Description |
|----------------|------------|---|
| DCC-USBNB-160 | Plug | Field Installable Cable Plug |
| DCP-USBNB-MNHD | Receptacle | Panel Mount: USB Mini-B to PC Tails |
| DCP-USBNB-MNSC | Receptacle | Panel Mount: USB Mini-B to Solder Holes |
| DCP-USBNB-USBN | Receptacle | Panel Mount: USB Mini-B Feed-thru |

