

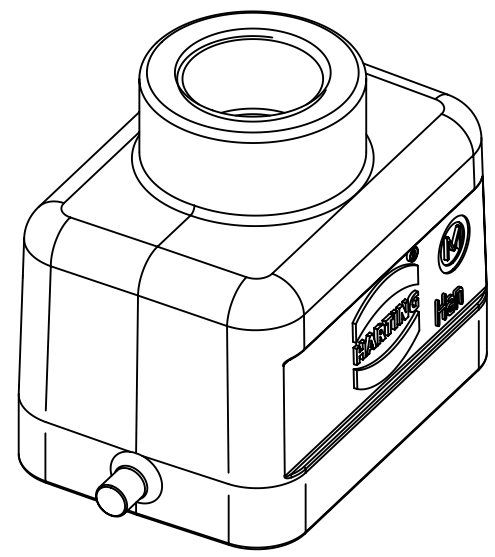
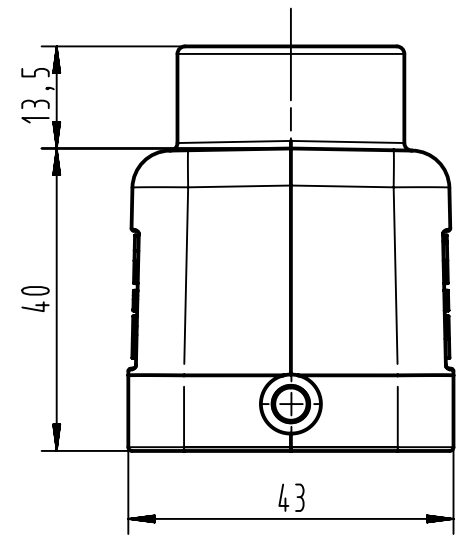
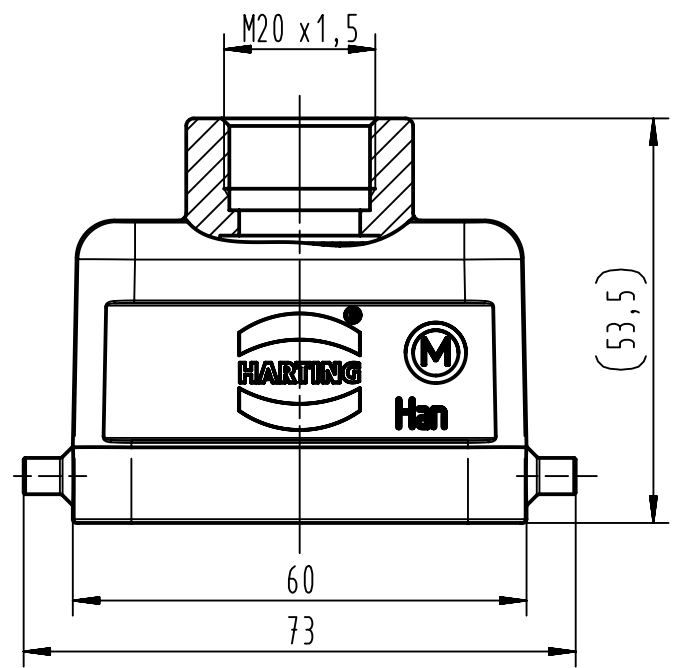
1 2 3 4 5 6

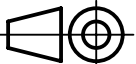

A

B

C

D



	All Dimensions in mm Original Size DIN A4	Scale 1:1		Free size tol.		Ref.	
						Sub.	
	All rights reserved Department EL PD - DE	Created by RULLKOETTER	Inspected by BERGHORN	Standardisation SCHMIDTM	Date 2012-12-18	State Final Release	
		Title Han 6B-gg-M20					Doc-Key / ECM-Nr. 100201263/UGD/004/A
HARTING Electric GmbH & Co. KG D-32339 Espelkamp		Type TB	Number 19 30 006 1440			Rev. A	Page 1/1