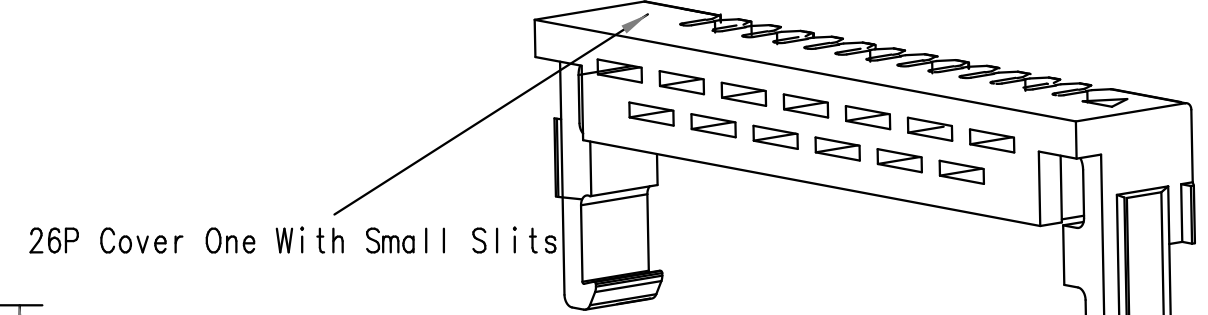
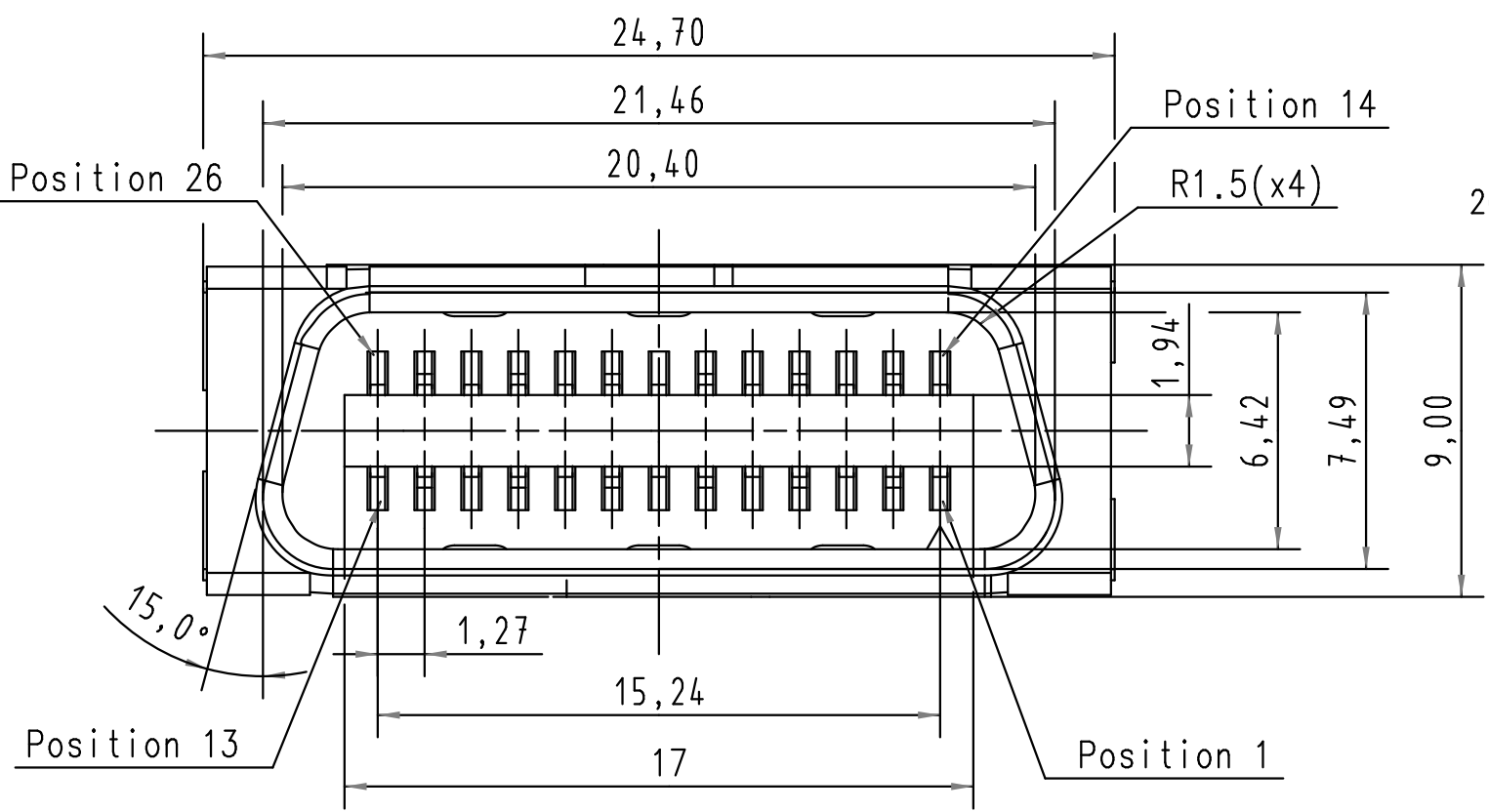
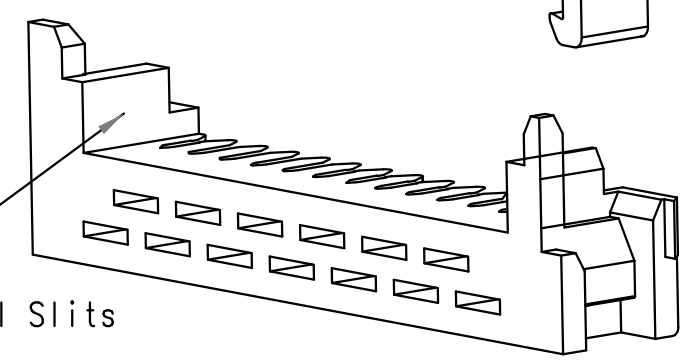


26P Har.Mik Bellow IDC Male Connector



26P Cover One With Small Slits



26P Cover Two With Small Slits

This Connector is according to IEC 61076-3-100

	All Dimensions in mm Original Size DIN A 3			Techn. Character.			Free size tolerances			
					Dat.	Name				
					07-MAR-08	SW	5 : 1	<i>har.mik</i> <sup>®</sup> I/O bellow 26 poles IDC male connector for wire insulator O.D from 0.50mm to 0.75mm		
31783	07-MAR-08	SW	Zhuhai Harting Limited						TB 60 13 026 5205	
Mod.	Dat.	Name							Page 1 / 1	