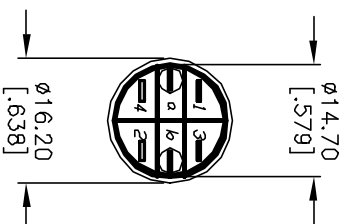
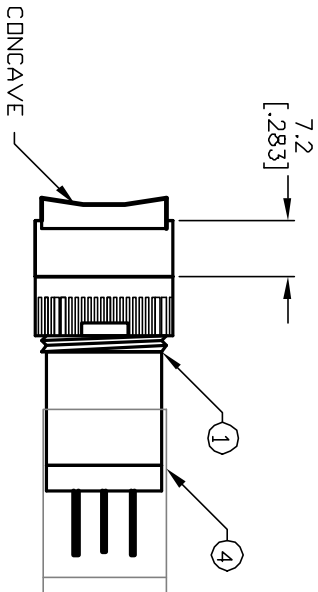
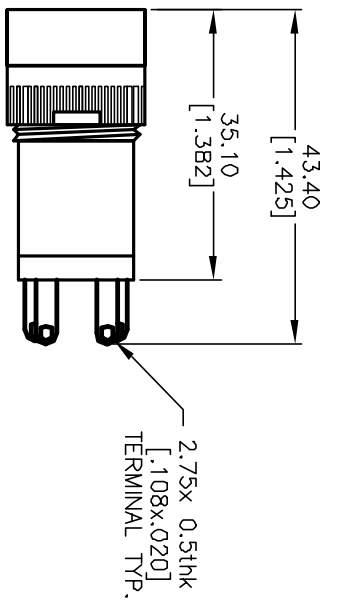
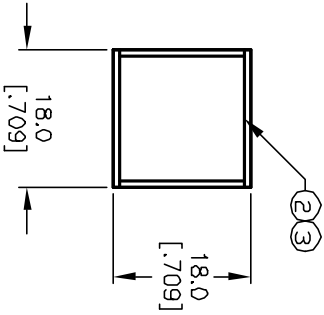


RECOMMEND PANEL MOUNTING

1 0 | 0 2
3 0 0 4
α-Ⓛ-b (+)



SPST
CONTACT CONFIGURATION

NOTES:

1. ALL DIMENSIONS IN MM [INCH]
2. GENERAL TOLERANCE: X.XX=±0.4
X.XX=±0.25
3. TERM. NOS. FOR REFERENCE ONLY.
4. RATING: 5A@250V AC;
BA@125V AC
5. MECHANICAL LIFETIME: >2 MILLION OPERATIONS
6. TRAVEL: 3.0MM (TOTAL)
7. CONTACT MATERIAL: COPPER ALLOY W/SILVER PLATING
8. LAMP VOLTAGE: 6V DC/200mA

PARTS LIST

ITEM	QTY.	PART NO.	PART DESCRIPTION
1	1	F040011	P16 EE S11
2	1	F050402	50-004-02 (Incandescent)
3	1	F050302	50-003-02 (GRN LENS TRANSPARENT)
4	1	F051601	P16 PLASTIC TERMINAL PROTECTOR

E-SWITCH®

TITLE

P16 EE S11 A GRN
TRANSPARENT /CONCAVE LENS

SCALE

1.5:1

DATE

11/19/02

DR

CB

DWG

XF0528P

REV

A

THE INFORMATION CONTAINED IN THIS DOCUMENT IS PROPRIETARY TO E-SWITCH AND IS NOT TO BE COPIED OR TRANSFERRED

REV.	ECN No.	DESCRIPTION	DATE	CHKD
A	12523	RELEASED FOR PRODUCTION	11/19/02	CB