

DETAILS

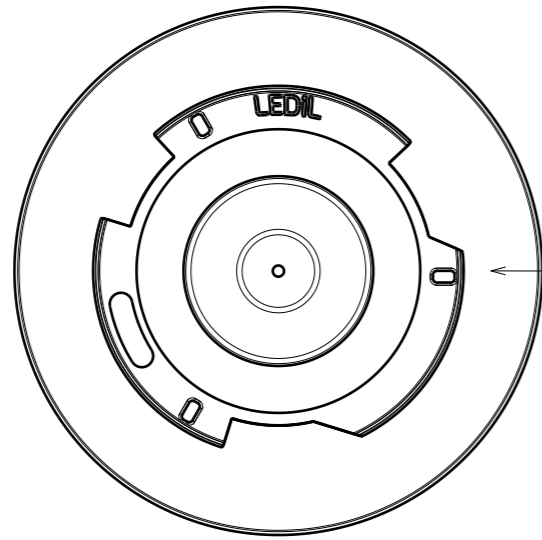
Product Number	C15802_MOLLY-W
Family	Molly
Type	Lens
Color	clear
Diameter	69,8 mm
Height	22,1 mm
Style	round
Optic Material	PMMA
Holder Material	
Fastening	
Status	production ready
ROHS Compliant	Yes
Date Updated	12/04/2017



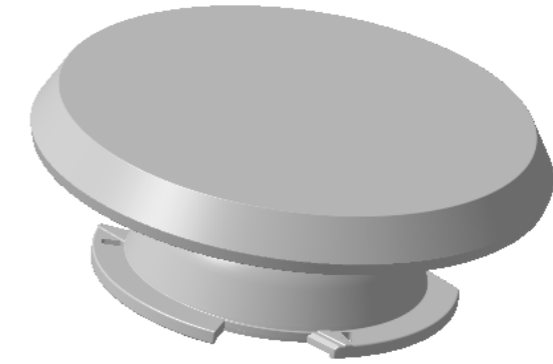
OPTICAL PROPERTIES

LED	Viewing	Light	Effi-		Connector
	Angle	Beam	ciency	cd/lm	
CLL03x/CLU03x	61 deg	Wide	89 %	0.850	Bender Wirth: 433 Typ L1
CLL02x/CLU02x (LES10)	sim: 54	Wide	sim: 89 %	sim: 1.190	Bender Wirth: 434 Typ L1
CXA/B 1816 & CXA/B 1820 & CXA 1850	sim: 58	Wide	sim: 90 %	sim: 1.070	LEDiL: C14123_CLAMP-CXA15-18
CXA/B 25xx	sim: 57	Wide	-	sim: 1.070	LEDiL: C14036_CLAMP-CXA25-30
SLE G6 LES19 H	sim: 54	Wide	sim: 85 %	sim: 1.100	TE: OPTIC CLIP Z50 TYPE1 2213194-1
SLE G6 LES17 H	sim: 55	Wide	sim: 87 %	sim: 1.100	TE: OPTIC CLIP Z50 TYPE1 2213194-1
SLE G6 LES15 H D50	sim: 52	Wide	sim: 84 %	sim: 1.140	TE: OPTIC CLIP Z50 TYPE1 2213194-1

Bottom view
Scale: 1:1

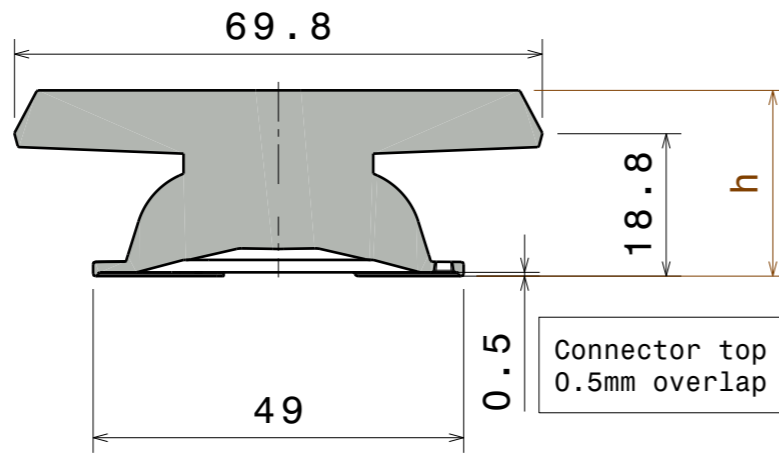


Direct bayonet fit to standard 3-hook connector designs

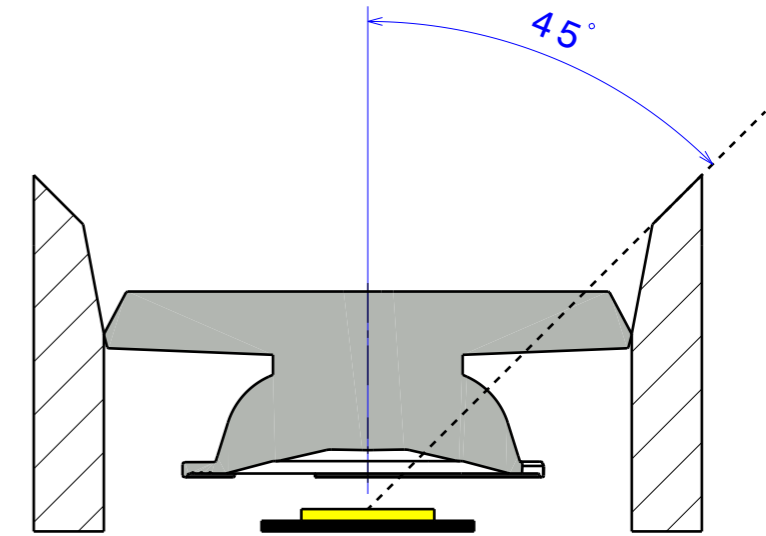


Isometric view
Scale: 1:1

Section view A-A
Scale: 1:1

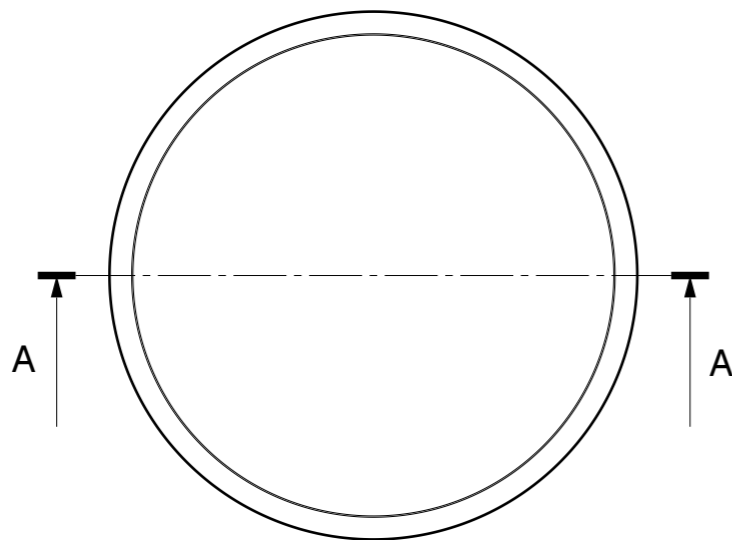


Connector top edges
0.5mm overlap with optic



Typical recessed mounting

Top view
Scale: 1:1



Part no. h

C15800_MOLLY-S	24.8
C15801_MOLLY-M	23.6
C15802_MOLLY-W	22.1

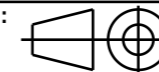
INDEX	PART NO	DESCRIPTION	MATERIAL	COLOUR
1	C15800 C15801 C15802	MOLLY	PMMA	Clear

Tolerances if not otherwise shown
According to DIN ISO 2768-1
Linear measures:
Up to 30mm class F_M, otherwise see class M.
According to DIN ISO 2768-2
Form and position: class K
Control for SPC marked dimensions.



Ledil Oy
Salorankatu 10
FIN 24240 SALO
Finland

THIRD ANGLE PROJECTION:



DRAWING TITLE

MOLLY

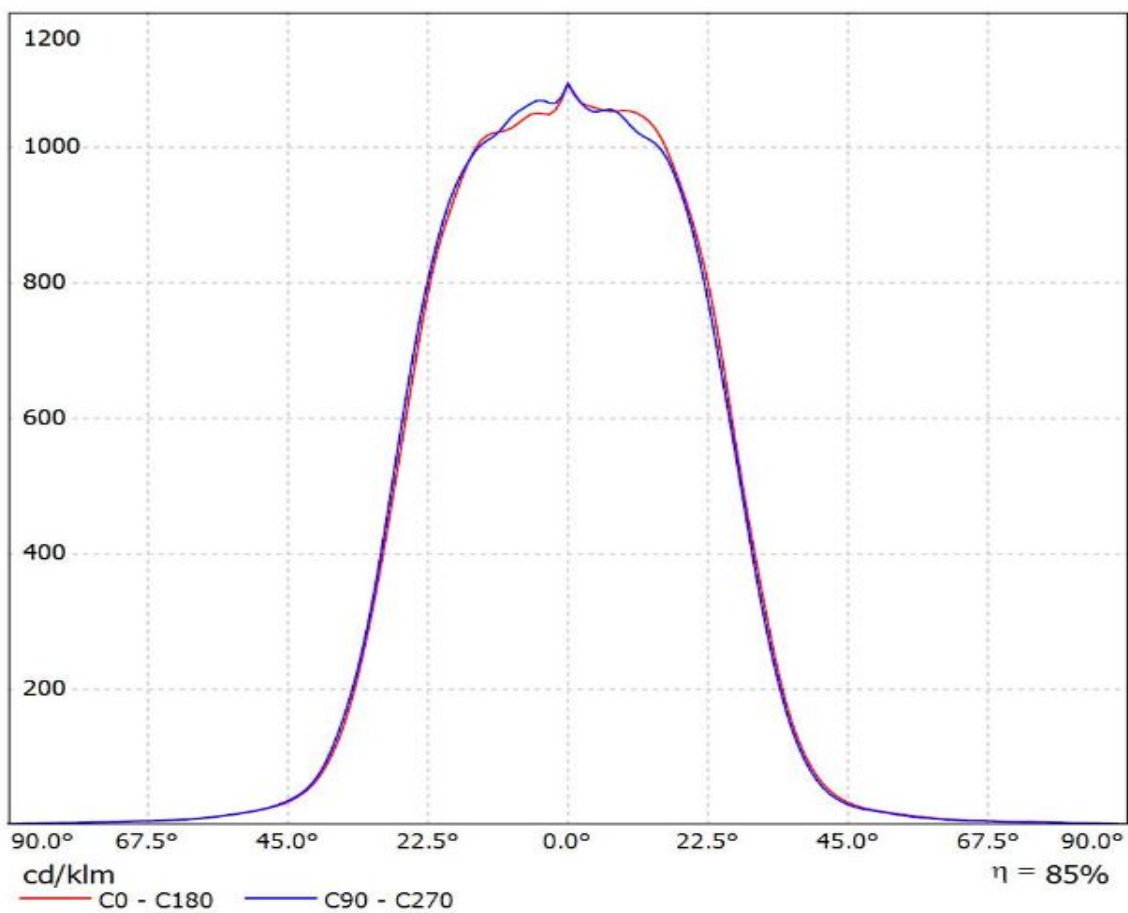
This drawing is the property
of LEDiL Oy. It may not be
reproduced, copied or
communicated without a written
agreement with LEDiL Oy.

SIZE PART NUMBER

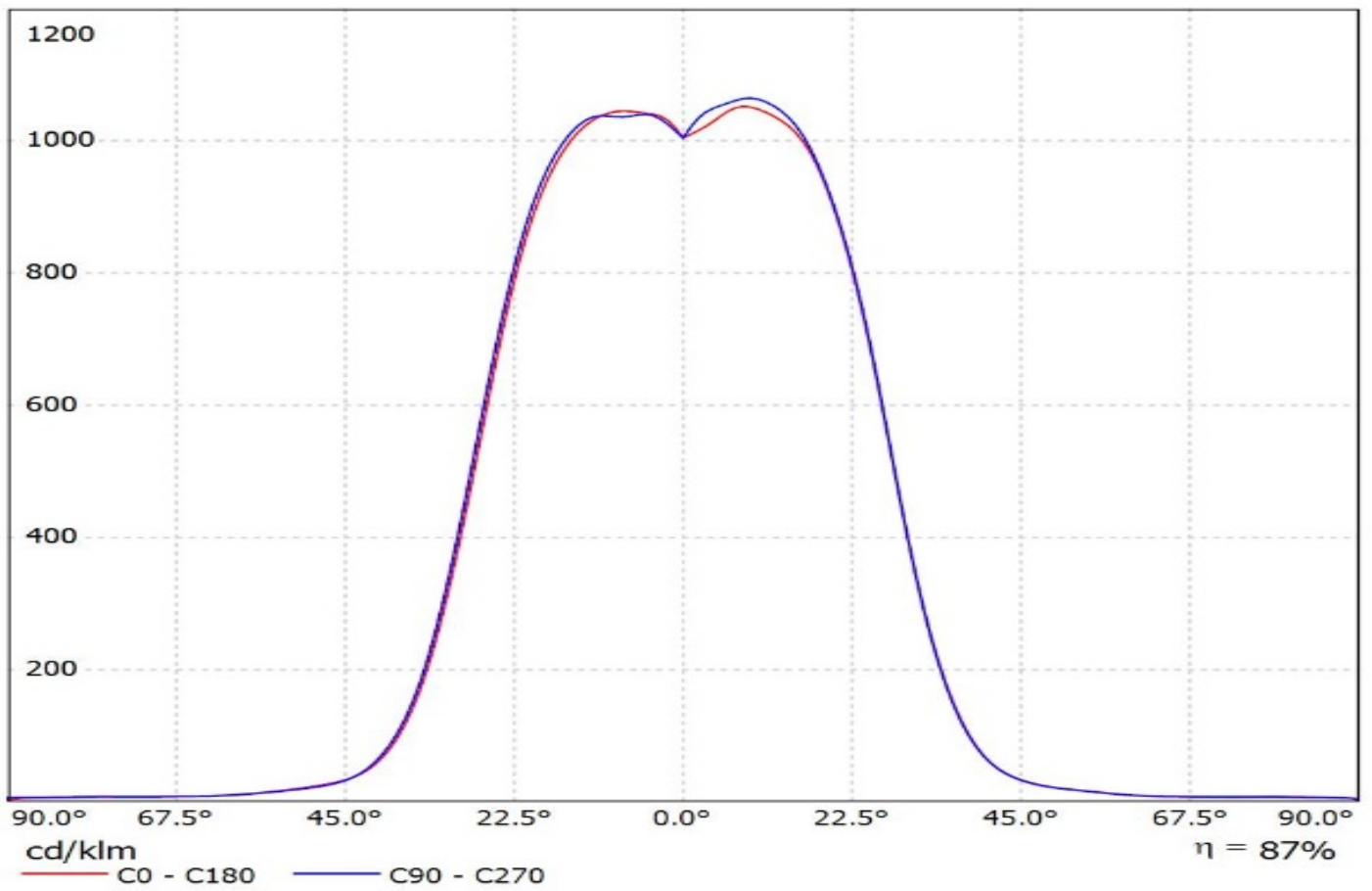
A3 C15800_ C15801, C15802

SCALE 1:1 WEIGHT - g SHEET 1/1

Luminaire: Ledil Oy C15802_MOLLY-W+_TE_2213194-1_Z50_Optical_Clip_Type1_TRIDONIC_SLE_G6_LES19_H_SIMULATED
Lamps: 1 x TRIDONIC SLE G6 LES19 H

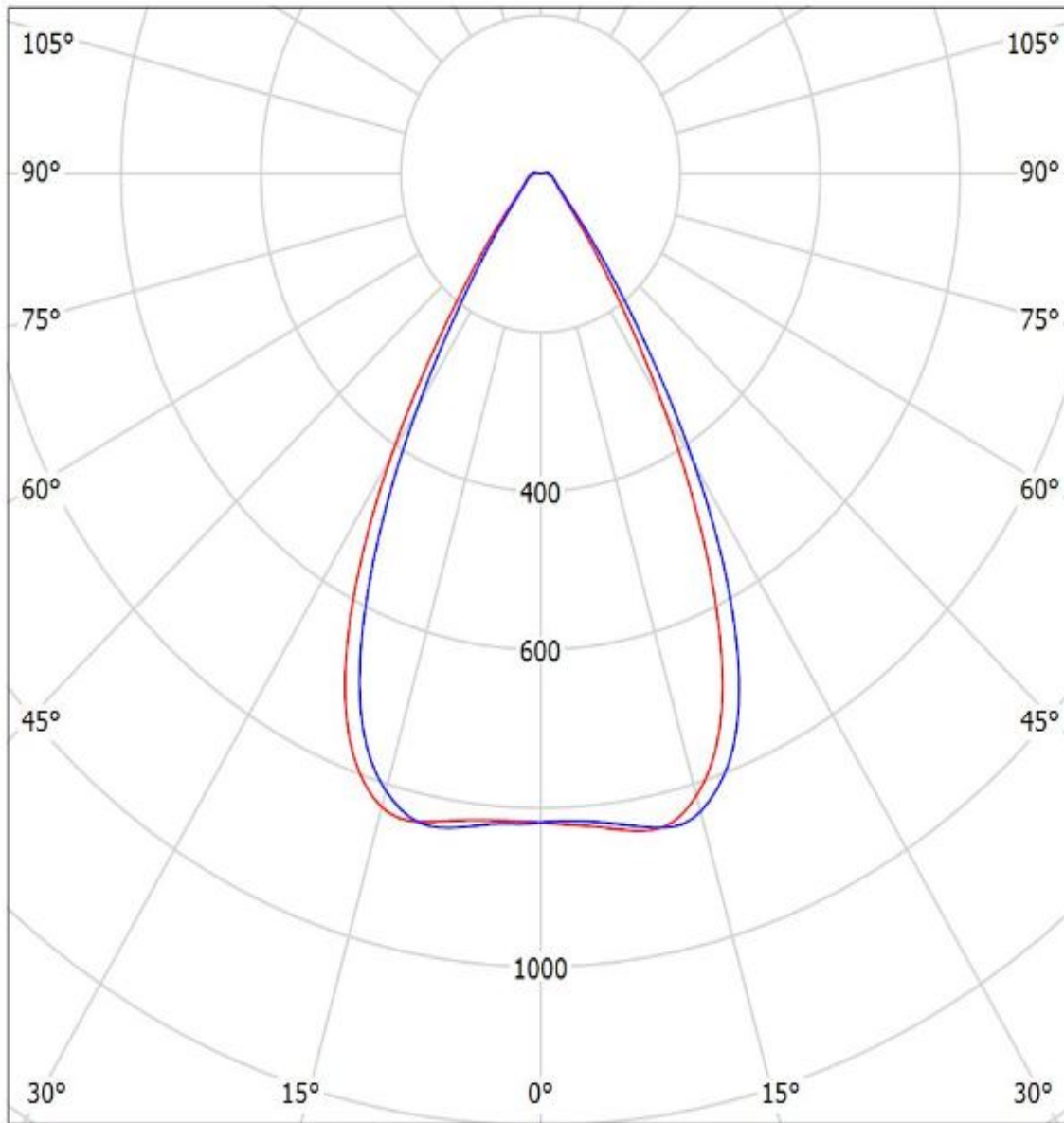


Luminaire: Ledil Oy C15802_MOLLY-W_(SLE_G6_LES17_H)_ (2213194-1)_SIMULATED
Lamps: 1 x Tridonic SLE G6 LES17 H



Luminaire: LEDiL Oy CN15805_MOLLY-W_(CLU036)

Lamps: 1 x Citizen_CLU036_(CLU036-1208C1-303M2G2)+KA15411_1247.79lm@250mA_CCT=3000K_P=8.21642W_I=0.250A

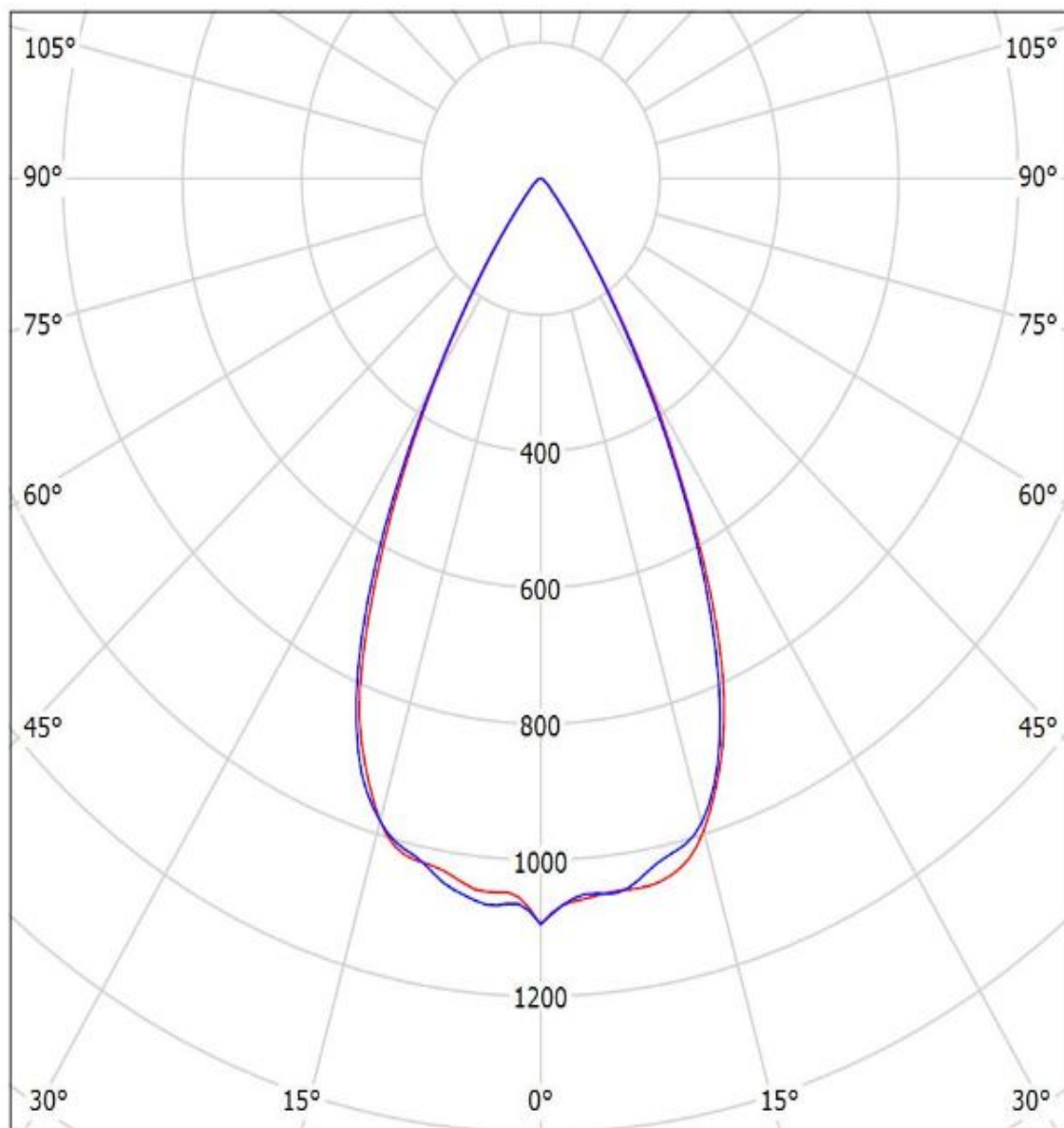


cd/klm

— C0 - C180 — C90 - C270

$\eta = 89\%$

Luminaire: Ledil Oy C15802_MOLLY-W+_TE_2213194-1_Z50_Optical_Clip_Type1_TRIDONIC_SLE_G6_LES19_H_SIMULATED
Lamps: 1 x TRIDONIC SLE G6 LES19 H

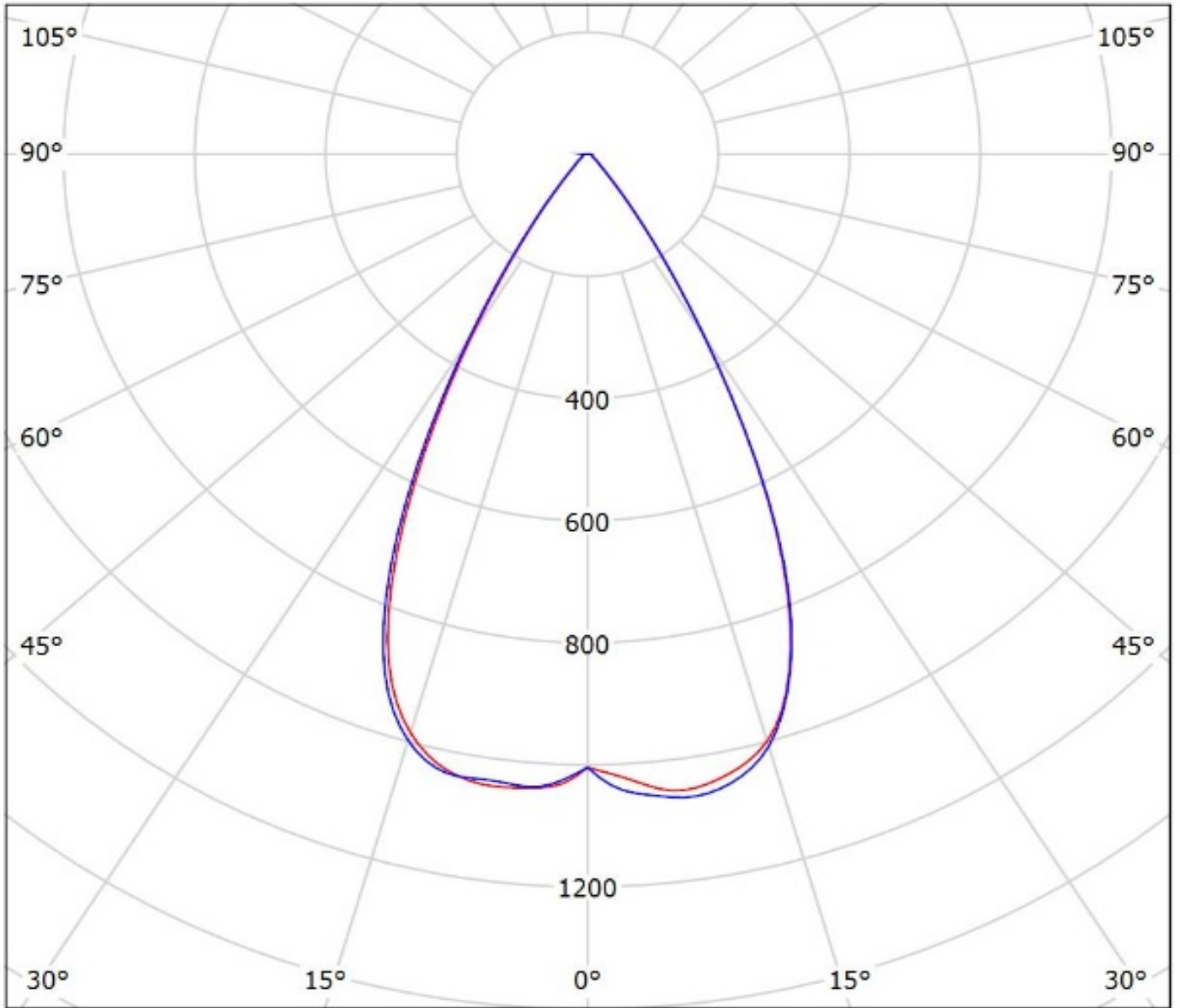


cd/klm

— C0 - C180 — C90 - C270

$\eta = 85\%$

Luminaire: Ledil Oy C15802_MOLLY-W_(SLE_G6_LES17_H)_(2213194-1)_SIMULATED
Lamps: 1 x Tridonic SLE G6 LES17 H



cd/klm

— C0 - C180 — C90 - C270

$\eta = 87\%$

NOTE: The typical divergence will be changed by different color, chip size and chip position tolerance. The typical total divergence is the full angle measured where the luminous intensity is half of the peak value.

GENERAL INFORMATION

- Product series especially designed & optimized for series of LEDs.
- Special care taken to make light distribution as uniform as possible.

Note! Due to use of high power COB's with this product, special attention to proper thermal design is highly recommended. LEDiL has no liability for direct, indirect or consecutive damages arising from the LEDiL products being used outside of the recommended temperature range.