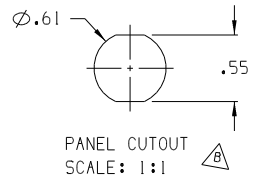
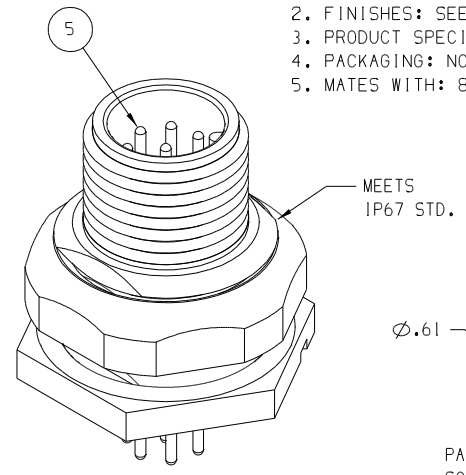


NOTCH SLOT 1/16 x 1/32 x 15° RUN OUT  
(VISUAL/TACTILE KEY ALIGNMENT  
MANUFACTURING AID)

- NOTES:
1. MATERIAL: SEE TABLE
  2. FINISHES: SEE TABLE
  3. PRODUCT SPECIFICATION: NOT REQUIRED
  4. PACKAGING: NOT REQUIRED
  5. MATES WITH: 8/C MICRO-C, MALE, M12



REF. DRAWING WAS SD-SK-04-027

ITEM	QTY	DESCRIPTION	MATERIAL	FINISH
5	8	CONTACT, MALE, PCB, MED.	BRASS	GOLD PLATED
4	1	O-RING SEAL	BUNA-N	BLACK
3	1	RECEPTACLE PANEL LOCK NUT	BRASS	BRIGHT NI PLATE
2	1	RECEPTACLE SHELL	BRASS	BRIGHT-NI PLATE
1	1	INSULATOR, MALE, 8/C, DC KEY	NYLON	BLACK

PROJECT NO. 04-027		I	-
DIMENSIONS:		SHT	REV
<input type="checkbox"/> mm	<input type="checkbox"/> INCH	<input type="checkbox"/> mm	<input type="checkbox"/> INCH
<input type="checkbox"/> mm	<input type="checkbox"/> mm	REVISE ON CAD ONLY	
DRAWN BY & DATE L.ROTHAUS 8-26-03		TITLE: RECEPTACLE ASSY, MALE, PANEL/PCB MTG. 6mm LONG, M12, 8/C, DC KEY	
CHECKED BY & DATE R.KEMP 11-07-03		APPROVED BY & DATE P.WALTZ 11-07-03	
CAD FILENAME SD-84907-001		MATERIAL NO. 849070077	DRAWING NO. SD-84907-001
DRAFT WHERE APPLICABLE MUST REMAIN WITHIN DIMENSIONS		THIS DRAWING CONTAINS INFORMATION THAT IS PROPRIETARY TO MOLEX INCORPORATED AND SHOULD NOT BE USED WITHOUT WRITTEN PERMISSION.	
SHEET NO. 1 OF 1		SIZE B	

EC NO. ECO 11667  
DRWN: CY 09-07-05  
CHK: K1  
APPR:

QUALITY SYMBOLS

MAJOR

CRITICAL

REVISIONS

B

GENERAL TOLERANCES:  
(UNLESS SPECIFIED)

	mm	INCH
4 PLACES		±.0015
3 PLACES	±.038	±.005
2 PLACES	±.13	±.01
1 PLACE	±.3	

ANGULAR: ±2°

SCALE: 3:1

DESIGN UNITS:  mm  INCH

THIRD ANGLE PROJECTION