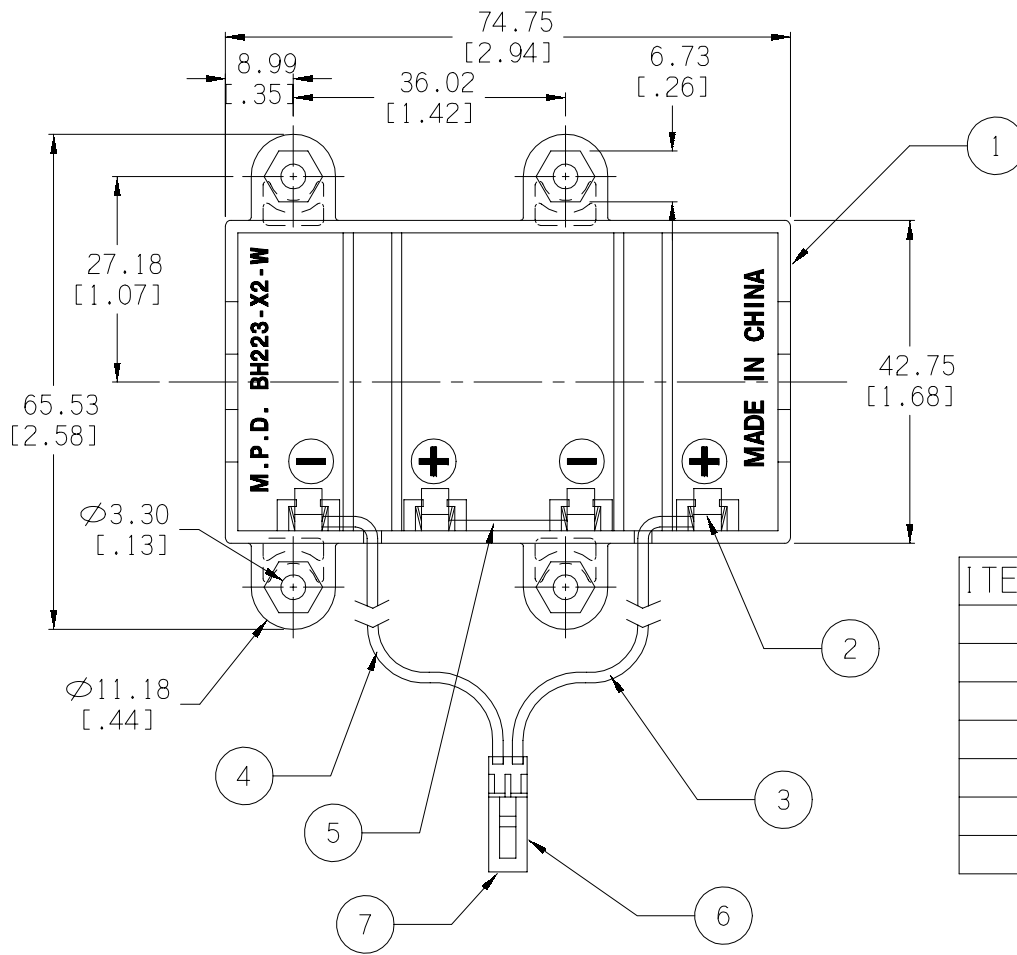
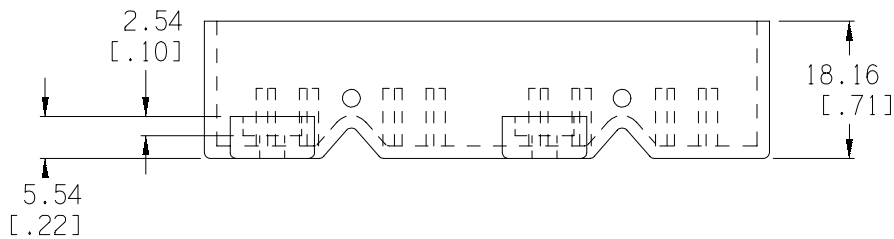



Date	SYM	REVISION RECORD	AUTH	DR.	CK.



ITEM NO.	PART NAME	MATL. SPECIFICATION	QTY.
1	MPD BATTERY CASE, DL223A TYPE	IMPACT MODIFIED HDPE, BLACK	1
2	ABG-161 CONTACT	PHOSPORUS BONZE, NICKLE PLTD.	4
3	WIRE	12V LEAD, RED, #24 AWG, 18" LONG	1
4	WIRE	GROUND LEAD, BLACK. #24 AWG, 16" LONG	1
5	JUMPER	#24 AWG, 1.75" LONG	1
6	MOLEX HOUSING #50-57-9402	BLACK GLASS-FILLED POLYESTER, UL94V-0	1
7	MOLEX PINS #16-02-0069	PHOSPHOR BRONZE, TIN/LEAD OVER NICKLE PLTD.	2



ACCEPTS: TWO DL223A OR CRP2 BATTERIES
REQUIRES: FOUR .265" HEX NUTS TO MOUNT

Tolerance (Inches)	 Memory Protection Devices, Inc. 200 Broad Hollow Road, Farmingdale, New York 11735		
Decimal ±.5 (.020)	Scale	Drawn By B.S. Approved By T.B.	
Fractional ± .8 (.030)	Title DL223A BATTERY HOLDER WITH MOLEX CONNECTOR		
Angular ± 3°	Date 03/21/01	Drawing Number BH223-X2-411	