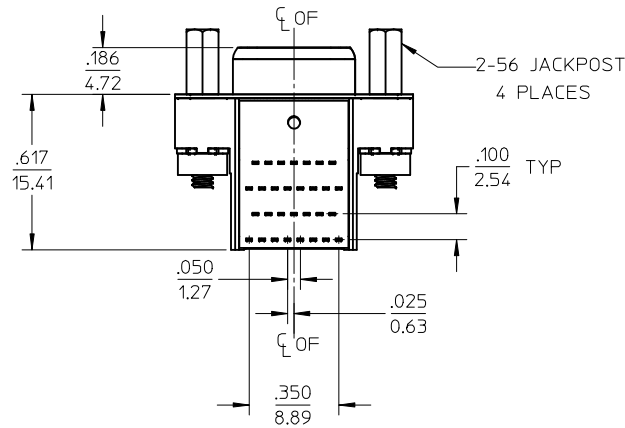
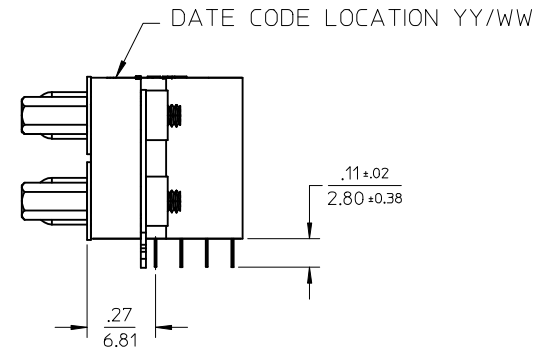
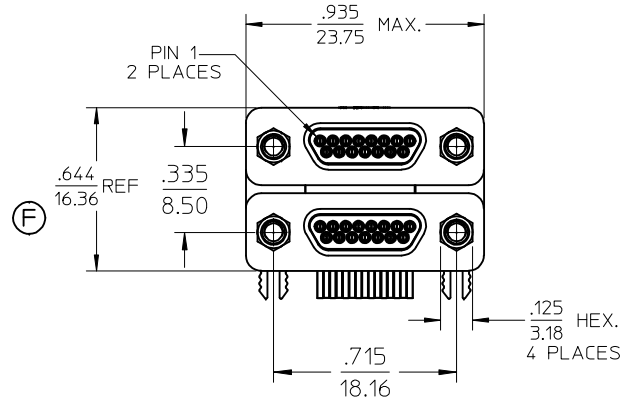


10	9
MATERIAL NO.	ENGINEERING NO.
836199010	83619-9010



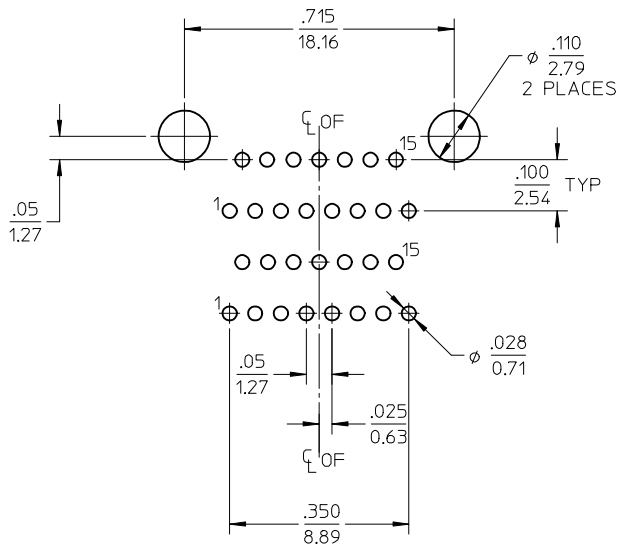
SALES DRAWING

NOTES: UNLESS OTHERWISE SPECIFIED.

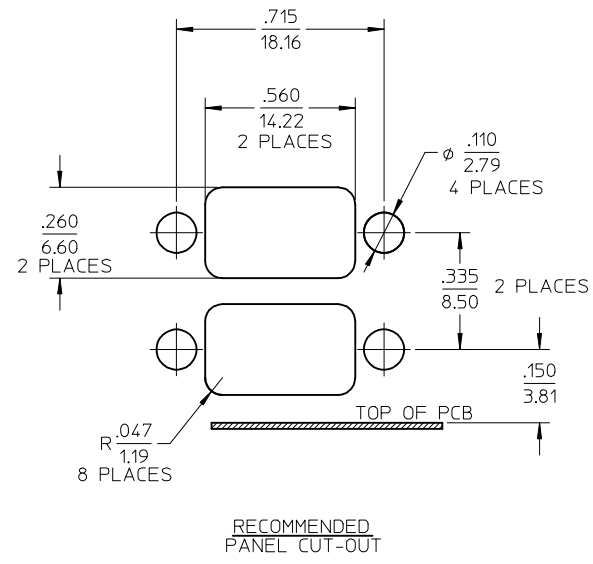
1. RoHS COMPLIANT.
2. SEE SHEET 2 OF 2 FOR P.C.B. LAYOUT AND PANEL CUT-OUT DIMENSIONS.

<b>UPDATE DIM.</b> EC NO: WNA2010-0136 DRWN:BRUPERT 2009/08/26 CHKD:BRUPERT 2009/08/26 APPR: JFMURPHY 2009/09/22	QUALITY SYMBOLS	GENERAL TOLERANCES (UNLESS SPECIFIED)		DIMENSION STYLE IN/MM		SCALE 2:1	DESIGN UNITS INCH	THIRD ANGLE PROJECTION																																						
	$\nabla=0$ $\nabla C=0$	<table border="1"> <thead> <tr> <th></th> <th>mm</th> <th>INCH</th> </tr> </thead> <tbody> <tr> <td>4 PLACES</td> <td>± ---</td> <td>± ---</td> </tr> <tr> <td>3 PLACES</td> <td>± ---</td> <td>± .005</td> </tr> <tr> <td>2 PLACES</td> <td>± 0.13</td> <td>± .01</td> </tr> <tr> <td>1 PLACE</td> <td>± 0.25</td> <td>± ---</td> </tr> </tbody> </table>		mm	INCH	4 PLACES	± ---	± ---	3 PLACES	± ---	± .005	2 PLACES	± 0.13	± .01	1 PLACE	± 0.25	± ---	<table border="1"> <thead> <tr> <th>DRAWN BY</th> <th>DATE</th> <th>TITLE</th> </tr> </thead> <tbody> <tr> <td>JLOMASTR</td> <td>04/09/20</td> <td rowspan="2">DUAL CONNECTOR COMM. MICRO D PLUG R/A SIZE 15</td> </tr> <tr> <td>RDEROSS</td> <td>04/09/28</td> </tr> </tbody> </table>	DRAWN BY	DATE	TITLE	JLOMASTR	04/09/20	DUAL CONNECTOR COMM. MICRO D PLUG R/A SIZE 15	RDEROSS	04/09/28	<table border="1"> <thead> <tr> <th>CHECKED BY</th> <th>DATE</th> </tr> </thead> <tbody> <tr> <td>RDEROSS</td> <td>04/09/28</td> </tr> </tbody> </table>		CHECKED BY	DATE	RDEROSS	04/09/28	<table border="1"> <thead> <tr> <th>APPROVED BY</th> <th>DATE</th> </tr> </thead> <tbody> <tr> <td>JFMURPHY</td> <td>2009/08/26</td> </tr> </tbody> </table>		APPROVED BY	DATE	JFMURPHY	2009/08/26	<table border="1"> <thead> <tr> <th>MATERIAL NO.</th> <th>DOCUMENT NO.</th> <th>SHEET NO.</th> </tr> </thead> <tbody> <tr> <td>SEE CHART</td> <td>SD-83619-006</td> <td>1 OF 2</td> </tr> </tbody> </table>		MATERIAL NO.	DOCUMENT NO.	SHEET NO.	SEE CHART	SD-83619-006	1 OF 2
		mm	INCH																																											
	4 PLACES	± ---	± ---																																											
3 PLACES	± ---	± .005																																												
2 PLACES	± 0.13	± .01																																												
1 PLACE	± 0.25	± ---																																												
DRAWN BY	DATE	TITLE																																												
JLOMASTR	04/09/20	DUAL CONNECTOR COMM. MICRO D PLUG R/A SIZE 15																																												
RDEROSS	04/09/28																																													
CHECKED BY	DATE																																													
RDEROSS	04/09/28																																													
APPROVED BY	DATE																																													
JFMURPHY	2009/08/26																																													
MATERIAL NO.	DOCUMENT NO.	SHEET NO.																																												
SEE CHART	SD-83619-006	1 OF 2																																												
DESCRIPTION	DRAFT WHERE APPLICABLE MUST REMAIN WITHIN DIMENSIONS		THIS DRAWING CONTAINS INFORMATION THAT IS PROPRIETARY TO MOLEX INCORPORATED AND SHOULD NOT BE USED WITHOUT WRITTEN PERMISSION		MOLEX INCORPORATED																																									
REV			SIZE A3																																											

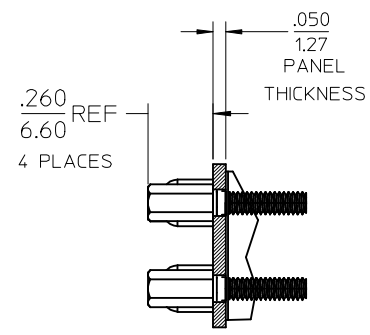
MATERIAL NO.	ENGINEERING NO.
836199010	83619-9010



RECOMMENDED  
P.C.B. LAY-OUT  
SOLDER SIDE



RECOMMENDED  
PANEL CUT-OUT



SALES DRAWING

UPDATE GEO. EC NO: WNA2010-0136 DRWN:BRUPERT 2009/08/26 CHKD:BRUPERT 2009/08/26 APPR: JFMURPHY 2009/09/22	QUALITY SYMBOLS	GENERAL TOLERANCES (UNLESS SPECIFIED)	DIMENSION STYLE	SCALE	DESIGN UNITS	THIRD ANGLE PROJECTION	
	▼=0 C=0	mm    INCH 4 PLACES ± --- ± --- 3 PLACES ± --- ± .005 2 PLACES ± 0.13 ± .01 1 PLACE ± 0.25 ± --- ANGULAR ± 1/2°	IN/MM	2:1	INCH		
		DRAFT WHERE APPLICABLE MUST REMAIN WITHIN DIMENSIONS	DRAWN BY: JLOMASTR    DATE: 04/09/20 CHECKED BY: RDEROSS    DATE: 04/09/28 APPROVED BY: JFMURPHY    DATE: 2009/08/26	TITLE	DUAL CONNECTOR COMM. MICRO D PLUG R/A SIZE 15		
			MATERIAL NO. SEE CHART SIZE A3	MOLEX INCORPORATED DOCUMENT NO. SD-83619-006 SHEET NO. 2 OF 2			