

4

3

2

1

THIS DRAWING IS UNPUBLISHED.

RELEASED FOR PUBLICATION

15OCT2012

© COPYRIGHT 2012

BY Tyco Electronics Japan G.K.

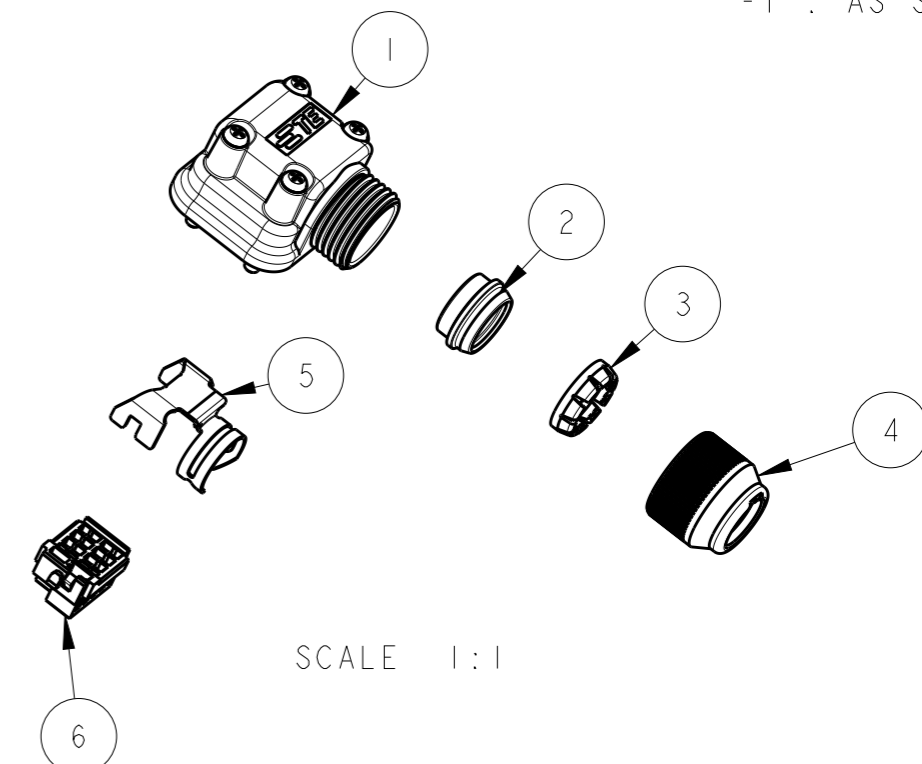
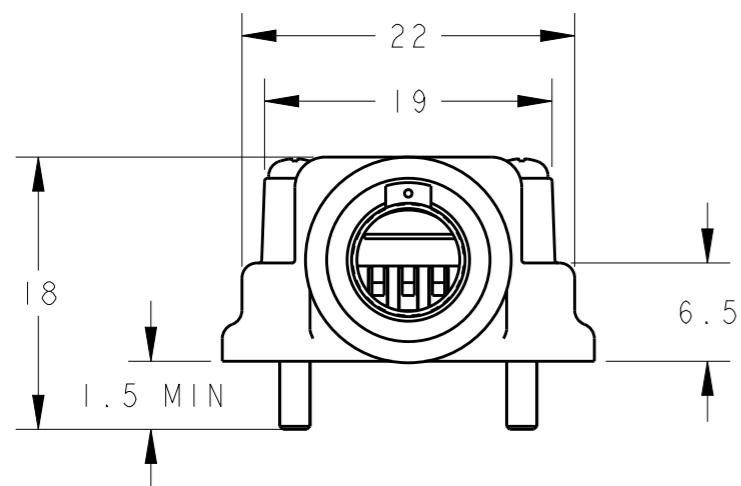
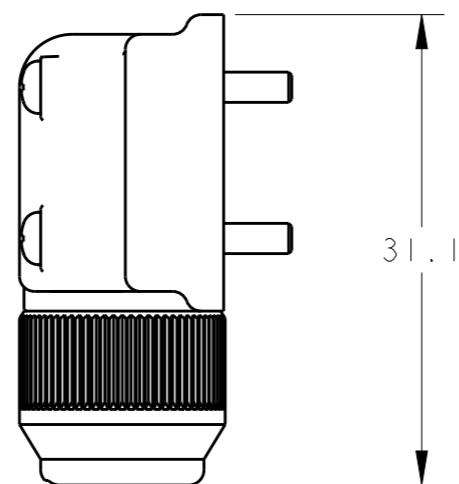
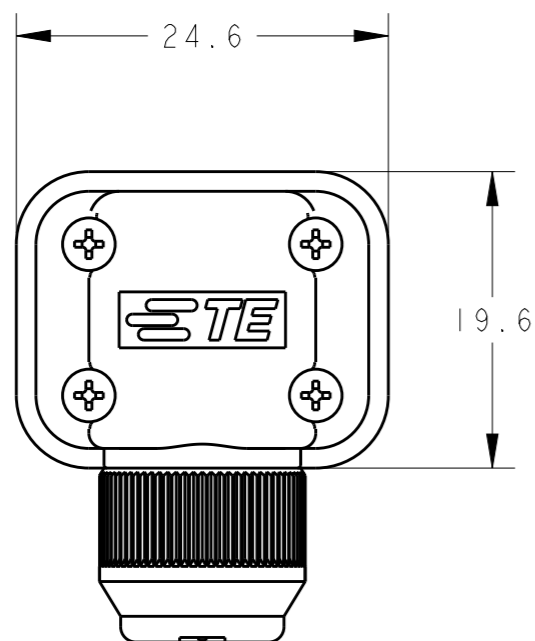
ALL RIGHTS RESERVED.

LOC
J

DIST
-

REVISIONS

P	LTR	DESCRIPTION	DATE	DWN	APVD
	B	REVISED	17APR2013	H.O	N.Y
	C	REVISED, ECR-15-010895	22JUL2015	Y.O	N.Y



- 1 : AS SHOWN

SCALE 1:1

1	POLYESTER RESIN/ PHOS-PHO BRONZE	INNER REC. HSG. ASS'Y	6
1	STEEL, Ni PLATING	GROUND CLIP	5
1	POLYESTER RESIN	WIRE FIXED SET SCREW	4
1	POLYACETAL RESIN	WIRE CLAMP	3
1	NBR	WIRE RUBBER PACKING	2
1	POLYESTER RESIN/ STEEL, Ni PLATING/NBR	REC. CASE ASS'Y	1
-1	MATERIAL FINISH	NAME	ITEM NO.

1. HANDRING OF THIS PRODUCT REFER TO THE INSTRUCTION SHEET(408-78003)

THIS DRAWING IS A CONTROLLED DOCUMENT.		DWN H. OSABE 15OCT2012	TE Connectivity	
DIMENSIONS: mm		CHK M. HARASAWA 15OCT2012		
TOLERANCES UNLESS OTHERWISE SPECIFIED:		APVD N. YAMASAKI 15OCT2012	NAME ENCODER CABLE I/O KIT WITHOUT CONTACT MICRO MOTOR PLUS	
0 PLC ±0.3 1 PLC ±0.3 2 PLC ± 3 PLC ± 4 PLC ± ANGLES ±3°		PRODUCT SPEC 108-61148	RESTRICTED TO	
MATERIAL -		APPLICATION SPEC 114-5335	SIZE A3	CAGE CODE 00779
FINISH -		WEIGHT 6.55g/ea	DRAWING NO C-2201825	
		CUSTOMER DRAWING	SCALE 2:1	SHEET 1
			OF 1	REV C