

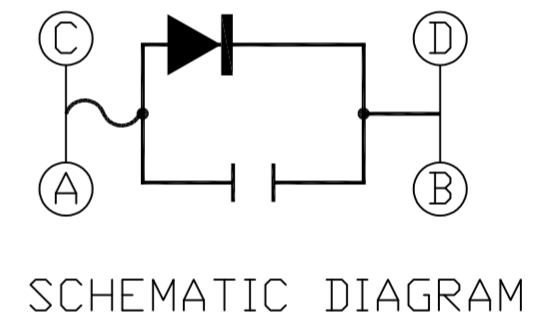
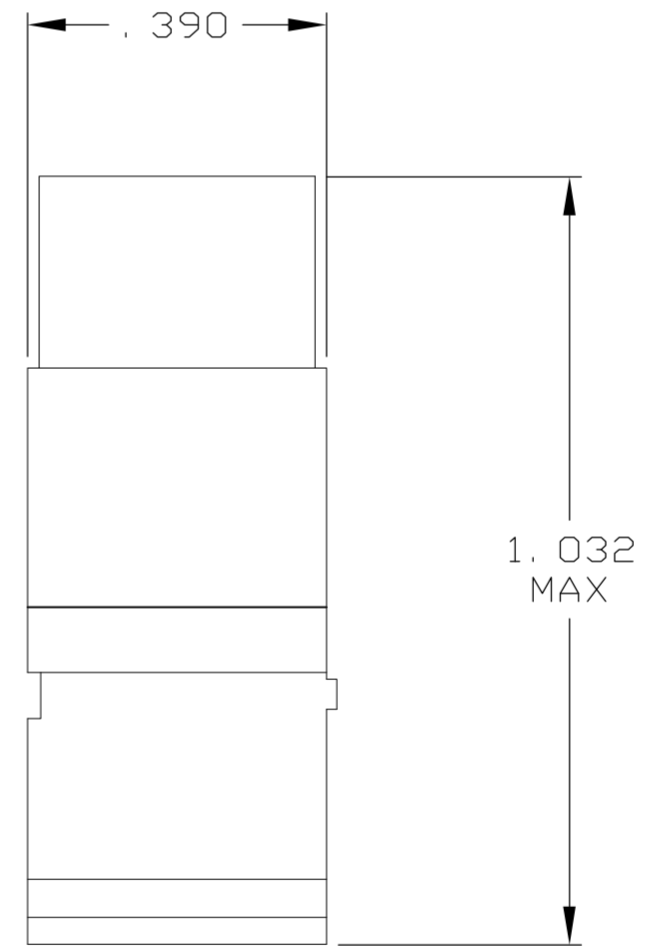
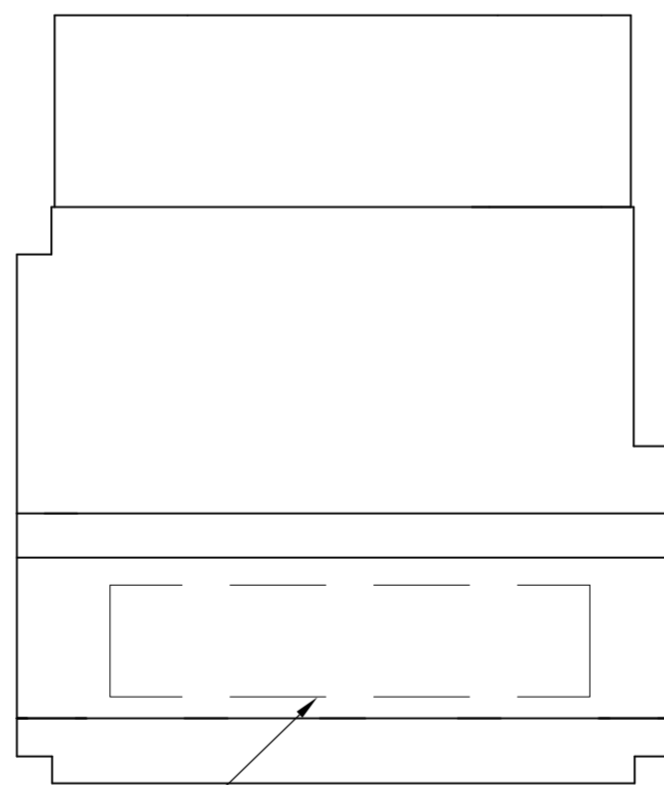
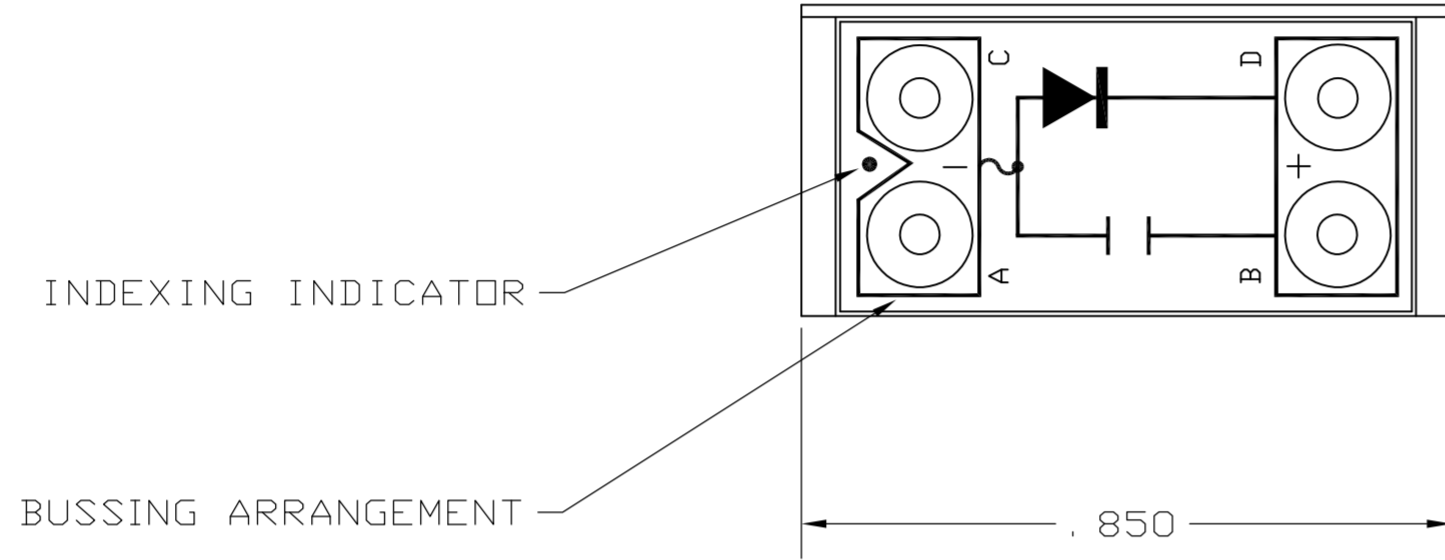
THIS DRAWING IS UNPUBLISHED. RELEASED FOR PUBLICATION
 © COPYRIGHT BY TYCO ELECTRONICS CORPORATION. ALL RIGHTS RESERVED.

| LOC | | DIST | | REVISIONS | | | |
|-----|-----|-----------------------|---------|-----------|------|--|--|
| P | LTR | DESCRIPTION | DATE | DWN | APVD | | |
| | D | REV PER ECO-08-022704 | 23OCT08 | PY | DE | | |

| DESCRIPTION | MATERIAL | FINISH |
|-----------------|--|----------------------------|
| MODULE ASSEMBLY | D.A.P. PER MIL-M14 | COLOR: GREEN |
| GROMMET | FLOURSILICONE 70/30 PER MIL-R-25988 | COLOR: GREEN |
| CONTACT SOCKET | BERYLLIUM COPPER ASTM-B194 | GOLD PLATE PER MIL-G-45204 |
| RETAINING CLIP | BERYLLIUM COPPER ASTM-B194 OR STAINLESS STEEL PER QQ-S-766 | NONE |
| DIODE | JAN1N5618 ² | NONE |

¹ MARK MODULE ASSEMBLY WITH "AMP", AMP PART NO. AND DATE CODE .060 MINIMUM CHARACTERS PER 115-10002-2.

² DIODE MQ1N5618, MX1N5618 OR MXV15618 MAY BE SUBSTITUTED FOR JAN1N5618. DIODE MAY BE A COMMERCIAL DIODE THAT HAS BEEN UP-SCREENED TO MEET THE REQUIREMENTS OF JAN1N5618



¹

591891-1
PART NUMBER

| | | | | |
|--|--------------|-----------------------------|--|--------------------|
| THIS DRAWING IS A CONTROLLED DOCUMENT. | | DWN V. FURLER 24AUG05 | Tyco Electronics Corporation Harrisburg, Pa 17105-3608 | |
| DIMENSIONS: INCHES | | CHK C. THOMAS 24AUG05 | NAME D. EABY | |
| TOLERANCES UNLESS OTHERWISE SPECIFIED: | | APVD D. EABY 24AUG05 | PRODUCT SPEC REMOVABLE MODULE BLOCK WITH FUSE DIODE & CAPACITOR | |
| 0 PLC ± - | 1 PLC ± - | APPLICATION SPEC | SIZE A2 | CAGE CODE 00779 |
| 2 PLC ± - | 3 PLC ± .005 | WEIGHT | DRAWING NO C-591891 | RESTRICTED TO |
| 4 PLC ± - | ANGLES ± - | MATERIAL | SCALE 4:1 | SHEET 1 OF 1 |
| FINISH | | CUSTOMER DRAWING | REV D | |