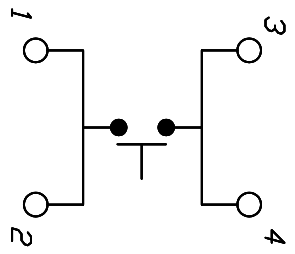
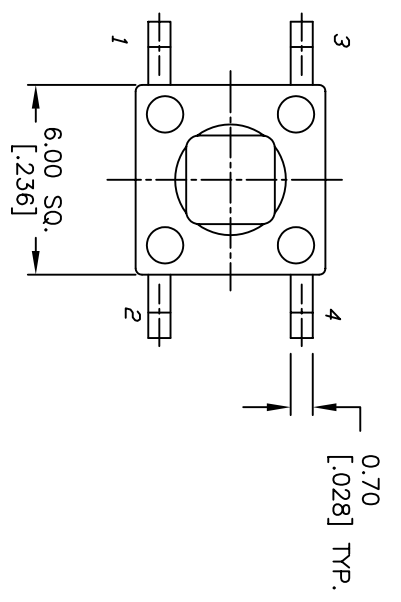


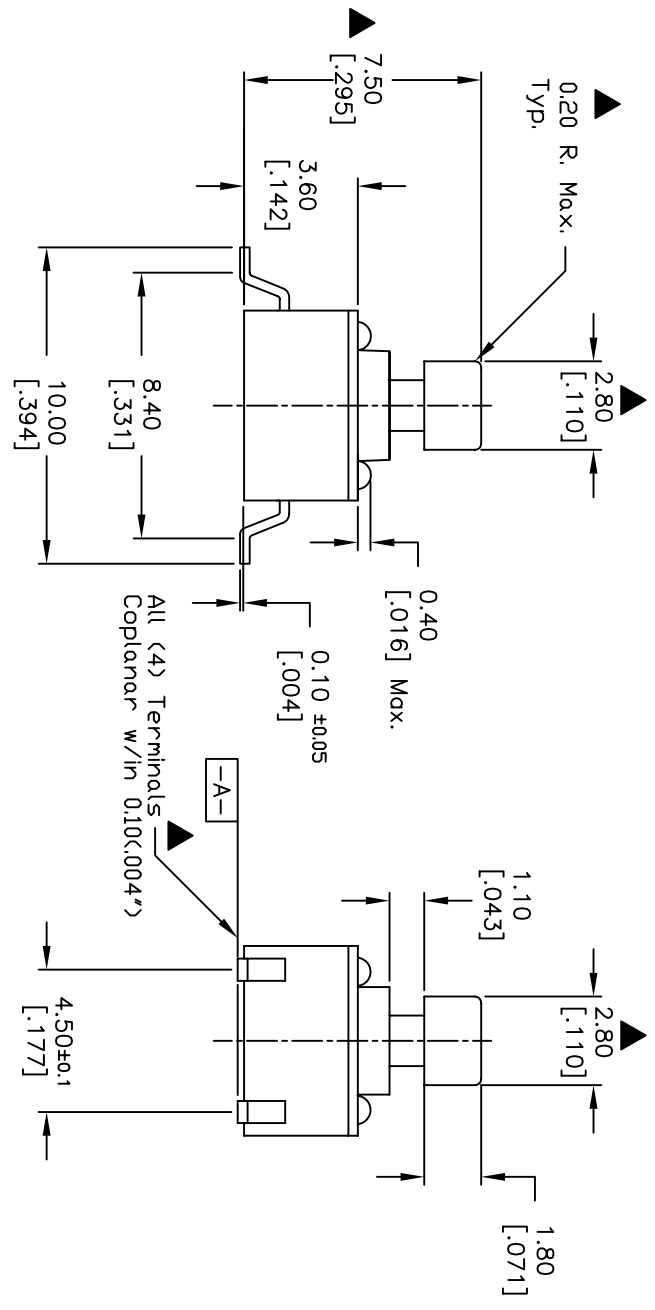
RECOMMENDED MOUNTING PAD



CIRCUIT: SPST

NOTES:

1. ALL DIMENSIONS IN MM [INCH]
2. GENERAL TOLERANCE: X.X=±0.4
X.XX=±0.25
3. TERM. NOS. FOR REFERENCE ONLY.
4. RATINGS: 12VDC, 50mA
5. MATERIAL: CONTACTS: SILVER HOUSING AND ACTUATOR TO MEET UL94V0
6. OPERATING FORCE: 160±50gf
7. TRAVEL: 0.25±0.1mm
8. CONTACT RESISTANCE: 100 mΩ Max.
9. ELECTRICAL LIFE: 100,000 CYCLES min.
10. ▲ DESIGNATE MAJOR FEATURE:
- ▲ 11. PACKAGED: 90PCS/TUBE
12. 2002/95/EC (ROHS) COMPLIANT



REV.	ECN No.	DESCRIPTION	DATE	CHKD
A	16182	RELEASED FOR PRODUCTION	7/7/06	CT

TITLE	SCALE	DATE	DR	DWG	REV
TL 3301SPF1600G94 V0	4:1	7/7/06	CT	P010628	A



THE INFORMATION CONTAINED IN THIS DOCUMENT IS PROPRIETARY TO E-SWITCH AND IS NOT TO BE COPIED OR TRANSMITTED