

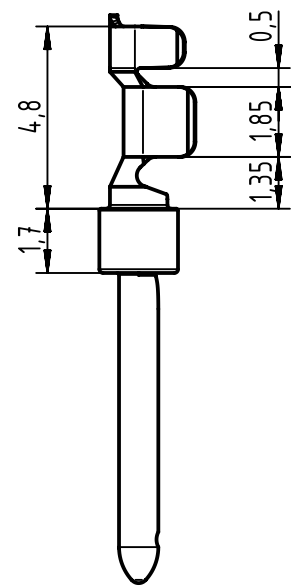
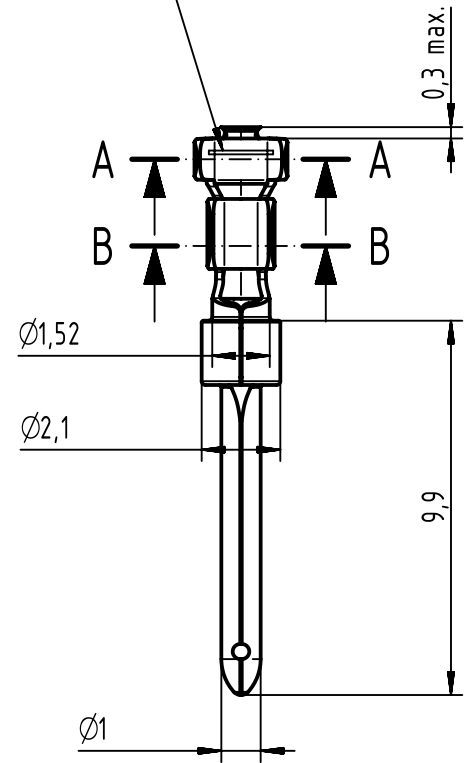
A

B

C

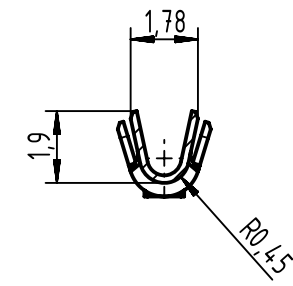
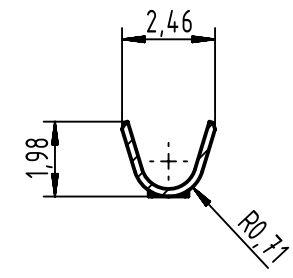
D

marking 1 stroke for AWG 20-24



A-A

B-B



Base material: bronze
 Plating: sliding contact selective gold plated over nickel
 nickel plated crimp area
 Number of contacts per bag: 500



	All rights reserved Department EC PD - FR	All Dimensions in mm Original Size DIN A4		Scale 5:1	Free size tol.	Ref. Sub.
		Created by HUCBOURG	Inspected by BAGDIKIAN	Standardisation HOFFMANN	Date 2013-10-18	State Final Release
HARTING Electronics GmbH D-32339 Espelkamp			Title D-Sub AWG 20-24 crimp male contact bag packaging			Doc-Key / ECM-Nr. 100552298/UGD/001/A 500000067394
Type TB		Number 0967000817X			Rev. A	Page 1/1

09670008178	PL2
09670008177	PL3
09670008176	PL1
Part number	Performance level