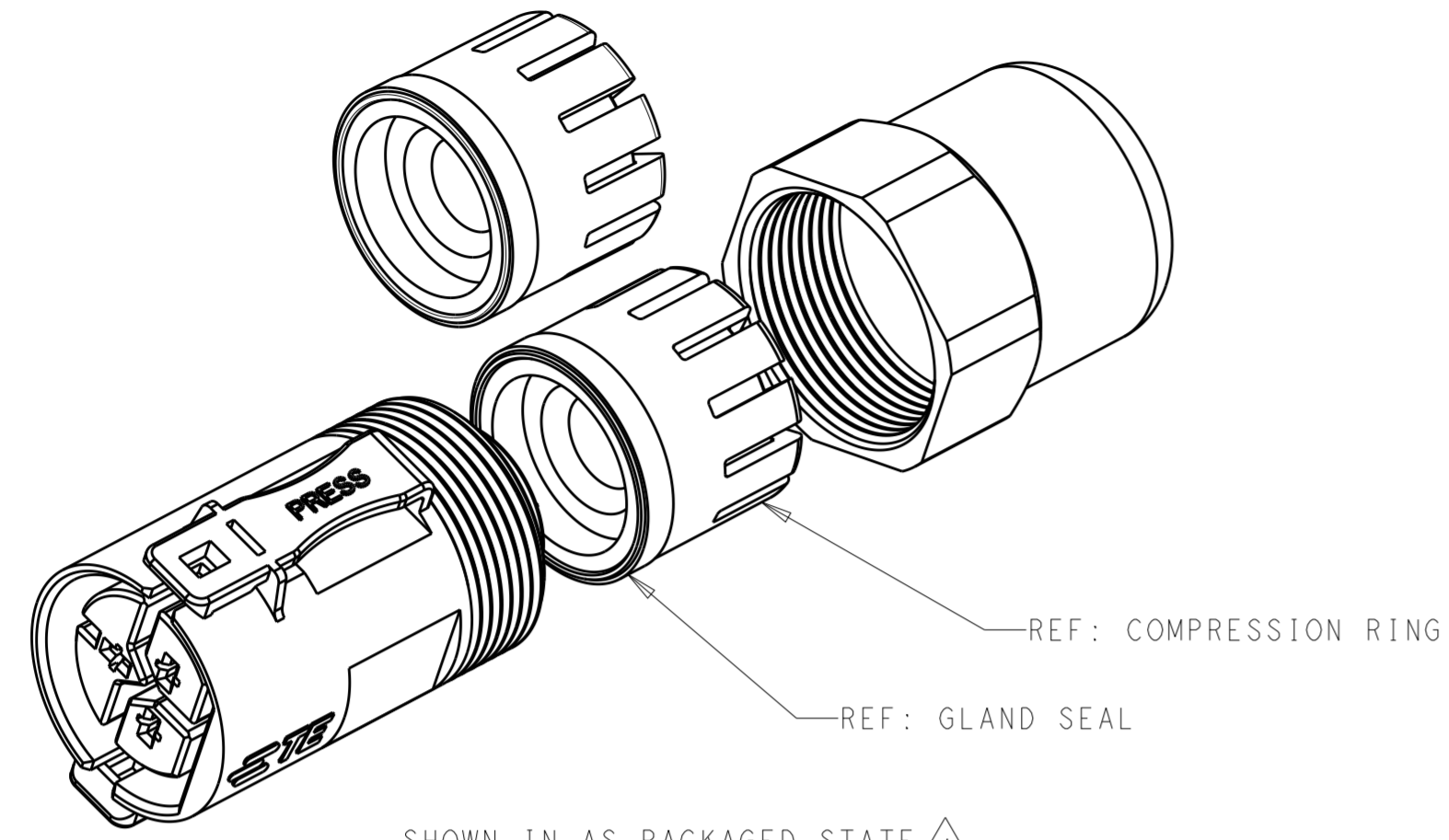


THIS DRAWING IS UNPUBLISHED. RELEASED FOR PUBLICATION 20
 © COPYRIGHT 20 BY - ALL RIGHTS RESERVED.

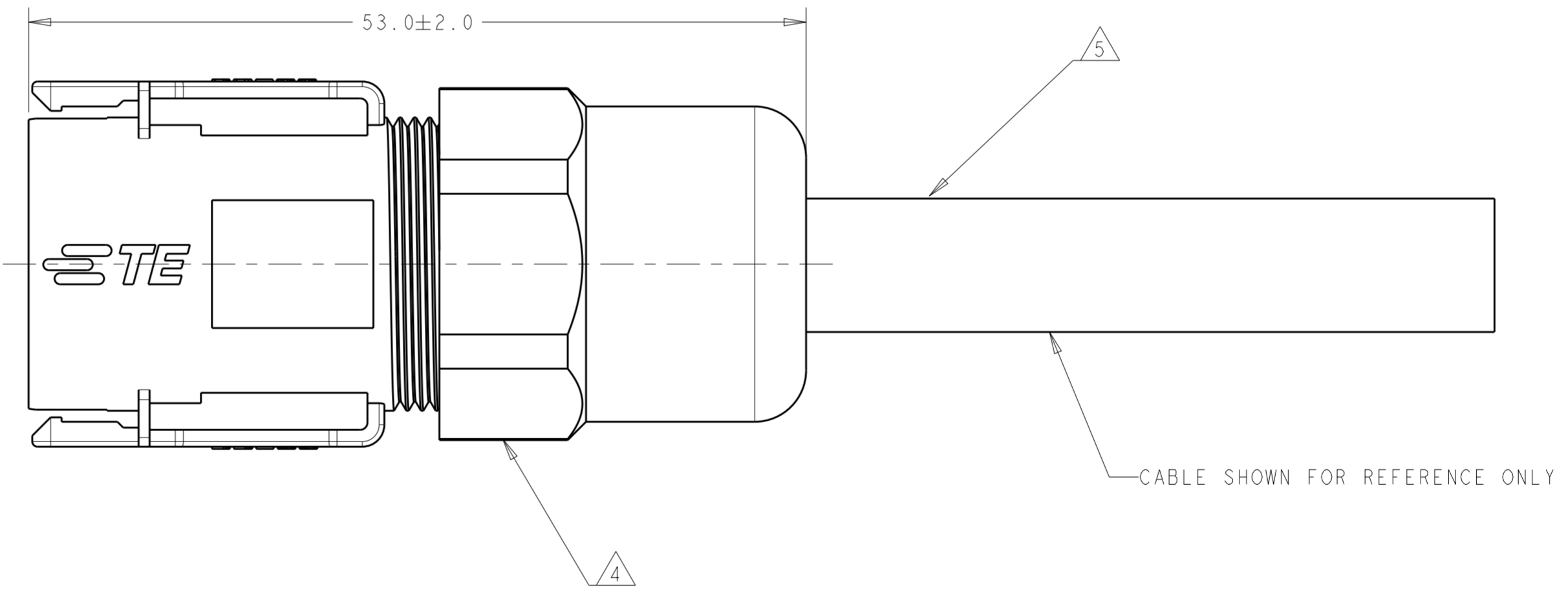
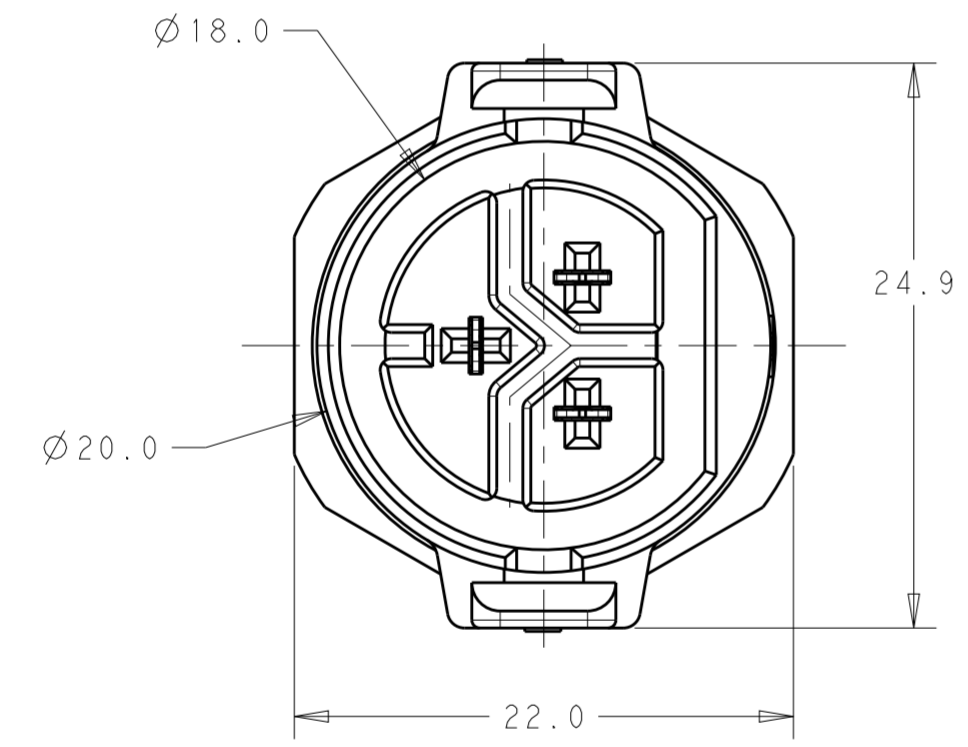
REVISIONS				
P	LTR	DESCRIPTION	DATE	APVD
4		MODIFIED NOTE 5	02JUN2015	MM MM
5		ADD APP SPEC NUM, ADJUST NOTE 5	17JUL2015	MM MM
6		REMOVE PRELIM NOTE	10JUN2016	MM MM

NOTES:

- 1. MATERIALS AND FINISH:
 - MAIN HOUSING: PC, COLOR: BLACK
 - FRONT HOUSING: PC, COLOR: BLACK
 - RING NUT: PC, COLOR: BLACK
 - RELEASE PLATE: PC, COLOR: BLUE
 - COMPRESSION RING: PC, COLOR: BLUE/BLACK
 - SEALS: TPE, COLOR: NATURAL/BLACK
 - CONTACTS: COPPER ALLOY, FINISH: Sn OVER Ni
- 2. MUST COMPLY WITH DIRECTIVE 2002/95/EC (ROHS)
- 3. THIS PRODUCT HAS NOT COMPLETED VALIDATION TESTING
- 4. PRODUCT SHOWN ASSEMBLED FOR DOCUMENTATION PURPOSES. PRODUCT IS SUPPLIED AS AN UNASSEMBLED KIT; PACKAGED IN A SINGLE BAG.
- 5. TERMINATE TO 3 CONDUCTOR JACKETED CABLE WITH THE FOLLOWING LIMITS:
 - MAXIMUM CABLE OUTSIDE DIAMETER OF 10.2mm.
 - MINIMUM CABLE OUTSIDE DIAMETER OF 6.0mm
 - CABLE DIAMETERS 6.0-7.3 USE THE NATURAL COLOR GLAND SEAL AND BLUE COMPRESSION RING
 - CABLE DIAMETERS 7.3-10.0 USE THE BLACK COLOR GLAND SEAL AND BLACK COMPRESSION RING
 - MAXIMUM INNER CONDUCTOR INSULATION DIAMETER OF 3.00mm.
 - 16-18AWG, 0.75-1.5mm² SOLID OR STRANDED COPPER CONDUCTORS
- 6. MATING CONNECTOR PART NUMBER IS 2213419-1.



SHOWN IN AS PACKAGED STATE 4
 SCALE 2:1



2213422-1
 PART NO.

THIS DRAWING IS A CONTROLLED DOCUMENT.		DWN C DAILY 27AUG2014	PRELIMINARY																																		
		CHK M MOSTOLLER 27AUG2014																																			
DIMENSIONS: mm		TOLERANCES UNLESS OTHERWISE SPECIFIED:		APVD -																																	
<table border="1"> <tr><td>0 PLC</td><td>±</td></tr> <tr><td>1 PLC</td><td>±0.25</td></tr> <tr><td>2 PLC</td><td>±0.15</td></tr> <tr><td>3 PLC</td><td>±</td></tr> <tr><td>4 PLC</td><td>±</td></tr> <tr><td>ANGLES</td><td>±2°</td></tr> <tr><td>FINISH</td><td>-</td></tr> </table>		0 PLC	±	1 PLC	±0.25	2 PLC	±0.15	3 PLC	±	4 PLC	±	ANGLES	±2°	FINISH	-	<table border="1"> <tr><td>PRODUCT SPEC</td><td>108-133031</td></tr> <tr><td>APPLICATION SPEC</td><td>114-32141</td></tr> <tr><td>WEIGHT</td><td>-</td></tr> </table>		PRODUCT SPEC	108-133031	APPLICATION SPEC	114-32141	WEIGHT	-	<table border="1"> <tr><td>NAME</td><td colspan="2">KIT, CONNECTOR CIRCULAR POKE-IN</td></tr> <tr><td>SIZE</td><td>A2</td><td>RESTRICTED TO</td></tr> <tr><td>CAGE CODE</td><td>-</td><td></td></tr> <tr><td>DRAWING NO</td><td>G-2213422</td><td></td></tr> </table>		NAME	KIT, CONNECTOR CIRCULAR POKE-IN		SIZE	A2	RESTRICTED TO	CAGE CODE	-		DRAWING NO	G-2213422	
0 PLC	±																																				
1 PLC	±0.25																																				
2 PLC	±0.15																																				
3 PLC	±																																				
4 PLC	±																																				
ANGLES	±2°																																				
FINISH	-																																				
PRODUCT SPEC	108-133031																																				
APPLICATION SPEC	114-32141																																				
WEIGHT	-																																				
NAME	KIT, CONNECTOR CIRCULAR POKE-IN																																				
SIZE	A2	RESTRICTED TO																																			
CAGE CODE	-																																				
DRAWING NO	G-2213422																																				
MATERIAL -		Customer Drawing		SCALE 3:1 SHEET 1 OF 1 REV 6																																	