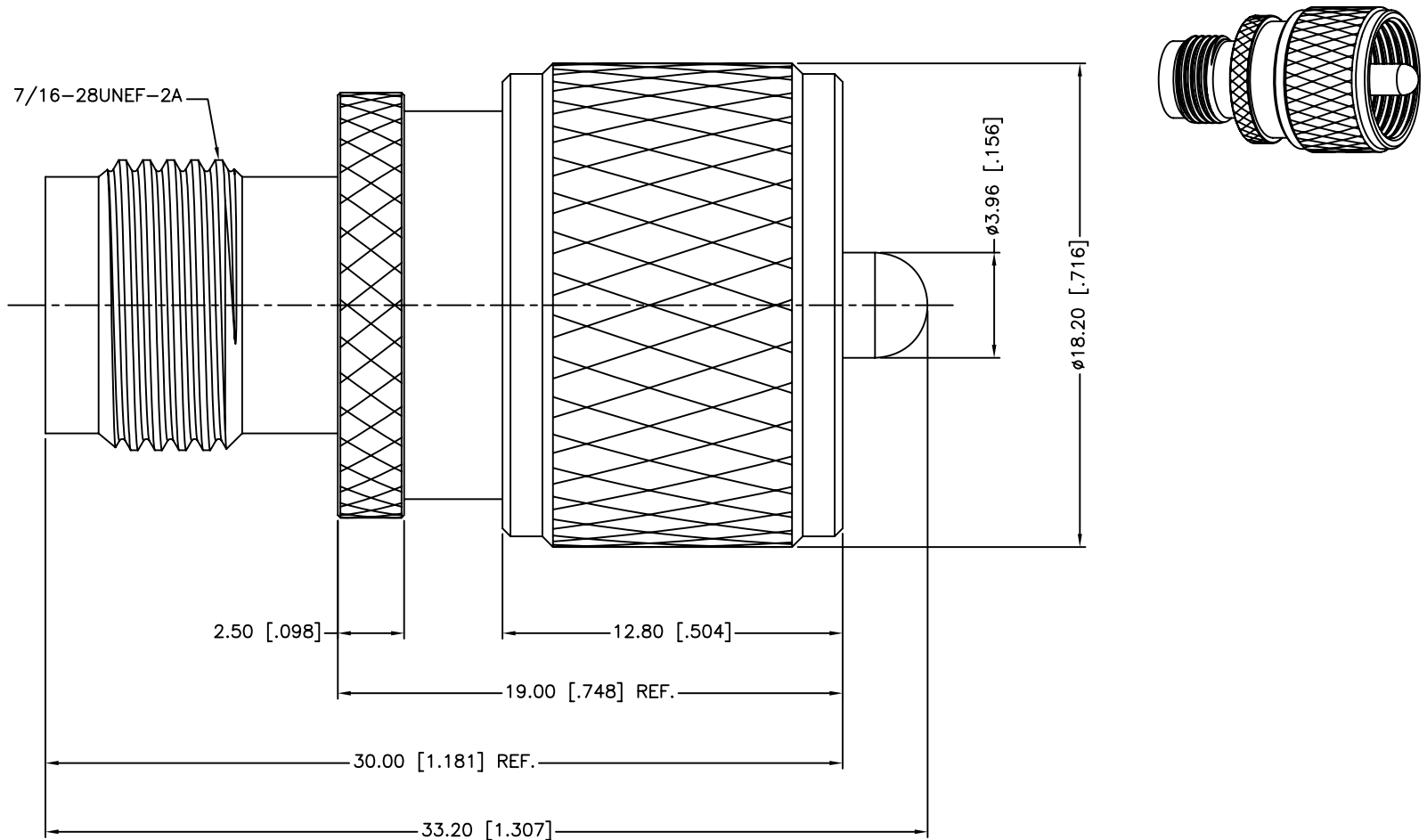


| REV. | DATE | ECR NO. | DESCRIPTION |
|------|----------|---------|--|
| NC | 03/15/10 | XXXXXX | INITIAL RELEASE |
| A | 07/12/13 | 2496 | UPDATE DRAWING FORMAT, ADD ELECTRICAL & MECHANICAL NOTES |



1. IMPEDANCE: 50 OHM
2. FREQUENCY RANGE: 0-200 MHZ
3. VSWR: 1.3 MAX.
4. DIELECTRIC WITHSTANDING VOLTAGE: 1000 VRMS, MIN.
5. DURABILITY: 500 CYCLES MIN.
6. TEMPERATURE RANGE: -55°C TO +85°C

| QTY | FINISH | MATERIAL | DESCRIPTION |
|-----|---------|-----------------|---------------|
| 1 | NICKEL | BRASS | RETAINER RING |
| 1 | NICKEL | BRASS | SHELL |
| 1 | GOLD | BRASS | CONTACT PIN |
| 1 | GOLD | PHOSPHOR BRONZE | CONTACT PIN |
| 1 | NATURAL | PTFE | INSULATOR |
| 1 | NICKEL | BRASS | BODY |
| QTY | FINISH | MATERIAL | DESCRIPTION |

UNLESS OTHERWISE SPECIFIED DIMENSIONS ARE IN MILLIMETERS. DIMENSIONS IN [] ARE IN INCHES AND FOR CUSTOMER REFERENCE ONLY.
 UNLESS OTHERWISE SPECIFIED
 TOLERANCES FOR MILLIMETERS ARE:
 <0.5 ± 0.05mm
 0.5 - 6mm ± 0.10mm
 6 - 30mm ± 0.20mm
 30 - 120mm ± 0.30mm
 ANGLES ± 1°
 UNLESS OTHERWISE SPECIFIED
 TOLERANCES FOR INCHES ARE:
 <.020 ± 0.002"
 .020 - .236 ± 0.004"
 .236 - 1.180 ± 0.007"
 1.180 - 4.724 ± 0.012"
 ANGLES ± 1°
 DO NOT SCALE DRAWING

| APPROVALS | DATE |
|---------------|----------------------|
| DRAWN M.ZHANG | 07/12/13 |
| CHECKED | |
| ISSUED | |
| SHEET 1 OF 1 | |
| CAD FILE | C:/CONNEX/242241.DWG |

| | | | |
|--|------------|-------|----|
| Amphenol Connex | | | |
| PART DESCRIPTION UHF MALE TO TNC FEMALE ADAPTOR (50 OHM) | | | |
| PART NO. 242241 | | | |
| DWG. NO. | 242241.DWG | REV. | A |
| SIZE | A | SCALE | NA |