



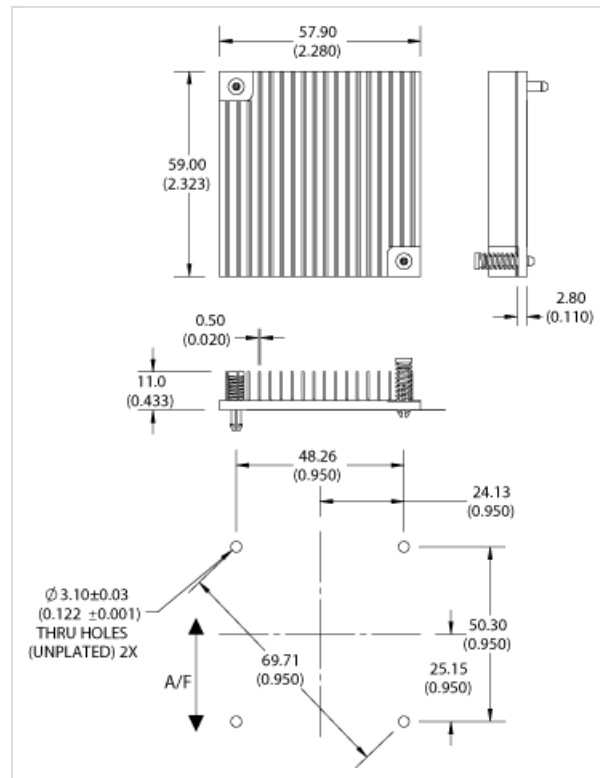
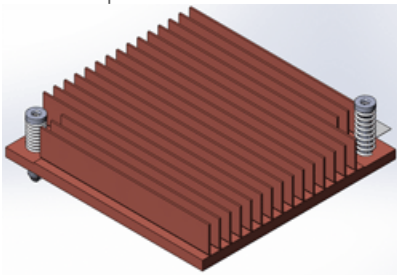
Aavid - The worldwide leader in thermal management solutions

» FPGA / BGA Heat Sinks

342947

RECTANGULAR HEATSINK WITH PUSH PIN ATTACHMENT

RoHS: compliant



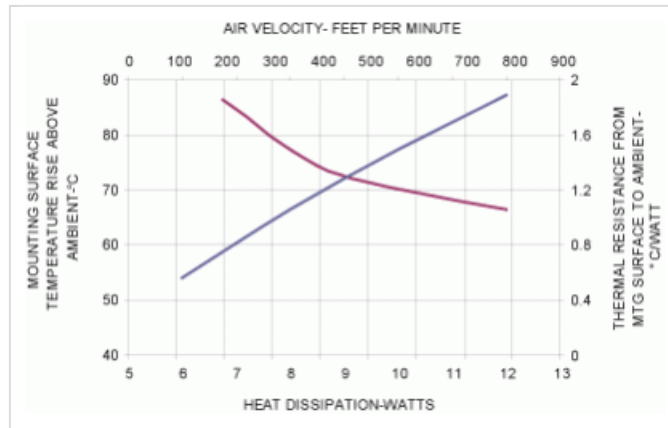
Width: 57.90
Length: 59.00
Height: 11.00
Base Thickness: 2.80
Fin Thickness: Length, Width 0.50
of Fins: Length, Width 18
Fin Tip to Tip:
Finish: AavSHIELD 3C

Thermal Performance

Natural Convection: 7.74

Forced convection: 1.86

Thermal Curve:



Customer Assistance

- Contact Us
- Get Design Assistance
- Find a Distributor
- Find a Sales Rep
- Request a Quote
- Placing an Order
- Terms and Conditions
- Returns

Popular Products

- Fans
- Extrusions
- Board Level
- Liquid Cooling
- Heat Pipe Technology
- Heat Sink Accessories
- Interface Materials

Our Company

- News and Events
- Management Team
- Worldwide Locations
- Disclaimer
- Customer Survey
- Privacy Policy
- Careers

Connect

Like / Follow



© Copyright 2016