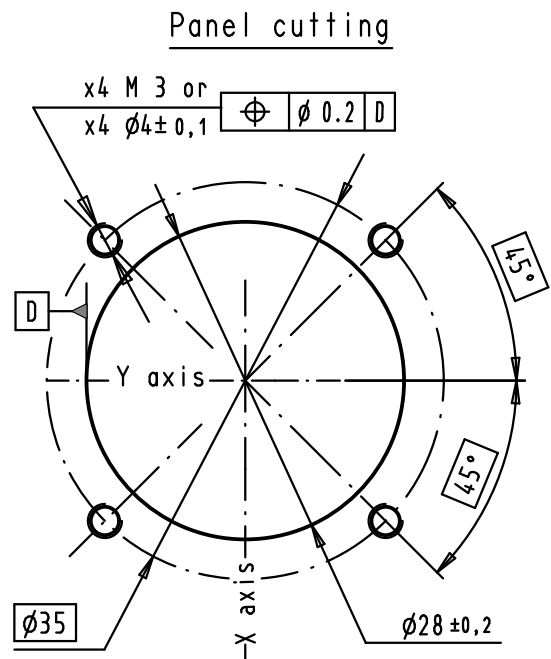
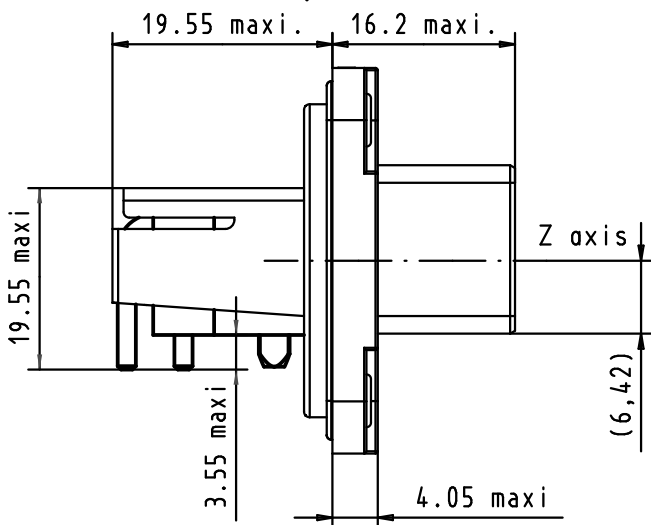
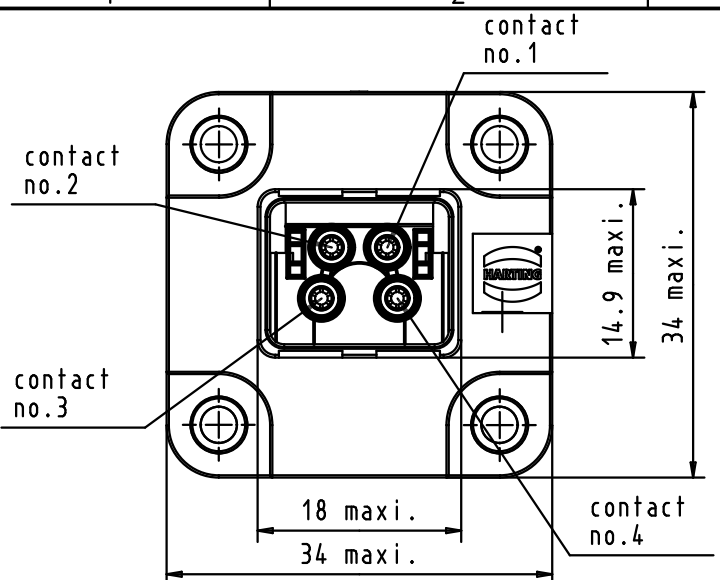
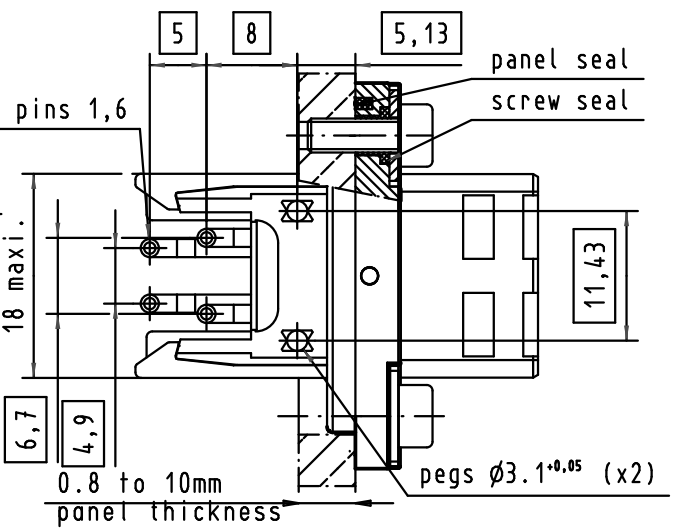
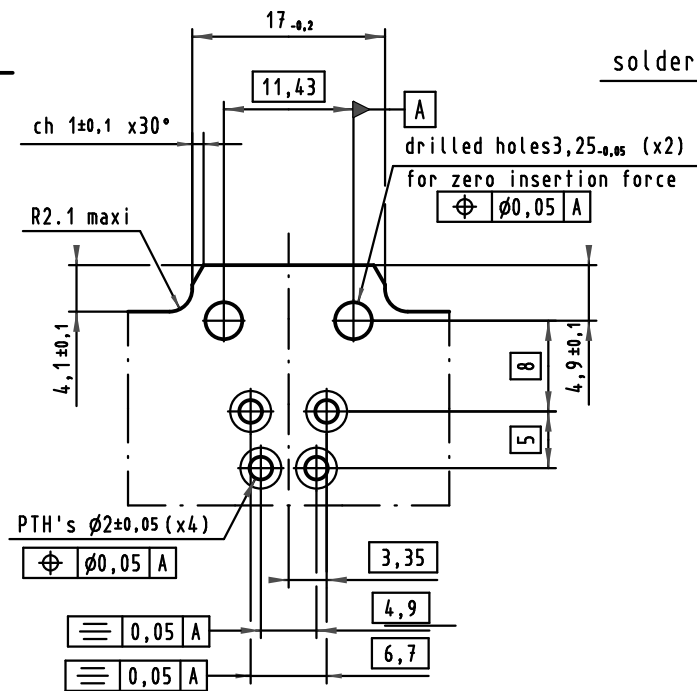


1 2 3 4 5 6

A
B



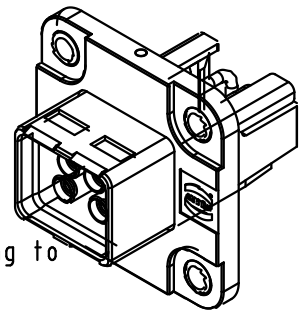
C



connectors pitch on panel = 35mm

Receptacle mating face according to IEC 61076-3-106 - variant04

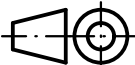

Screwing with x4 M3 screws and flat washer
Scewing torque 0.5 N.m



Scale 1:1

D

PC-Board layout

				Dot.	Name	 All Dim. in mm Orig. Size DIN A 4	push pull power easy install IP67 PANEL FEED THROUGH 12A-48V WITH POWER FIXED SOLDER CONNECTOR	Moßstab/ Scale	
				Detail.	01/03/07			BD	3:2
				Insp.					
				Stand.					
33949	01/03/07	BD	HARTING EURL F-95972 Paris				TB 09 46 245 4030	Blatt/ Page	
Mod.	Dot.	Name					Sub.	1/1	