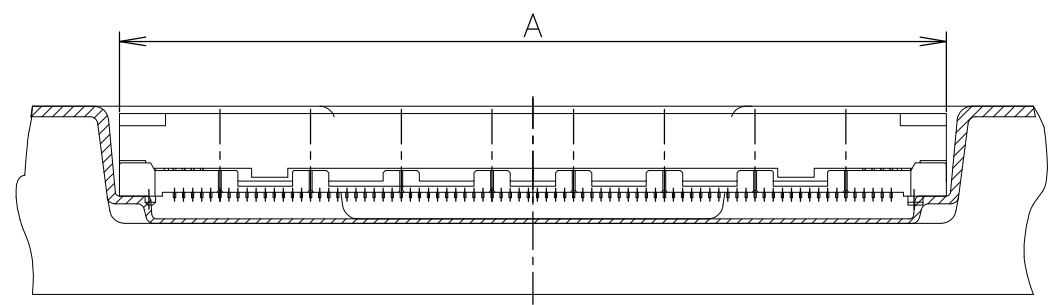
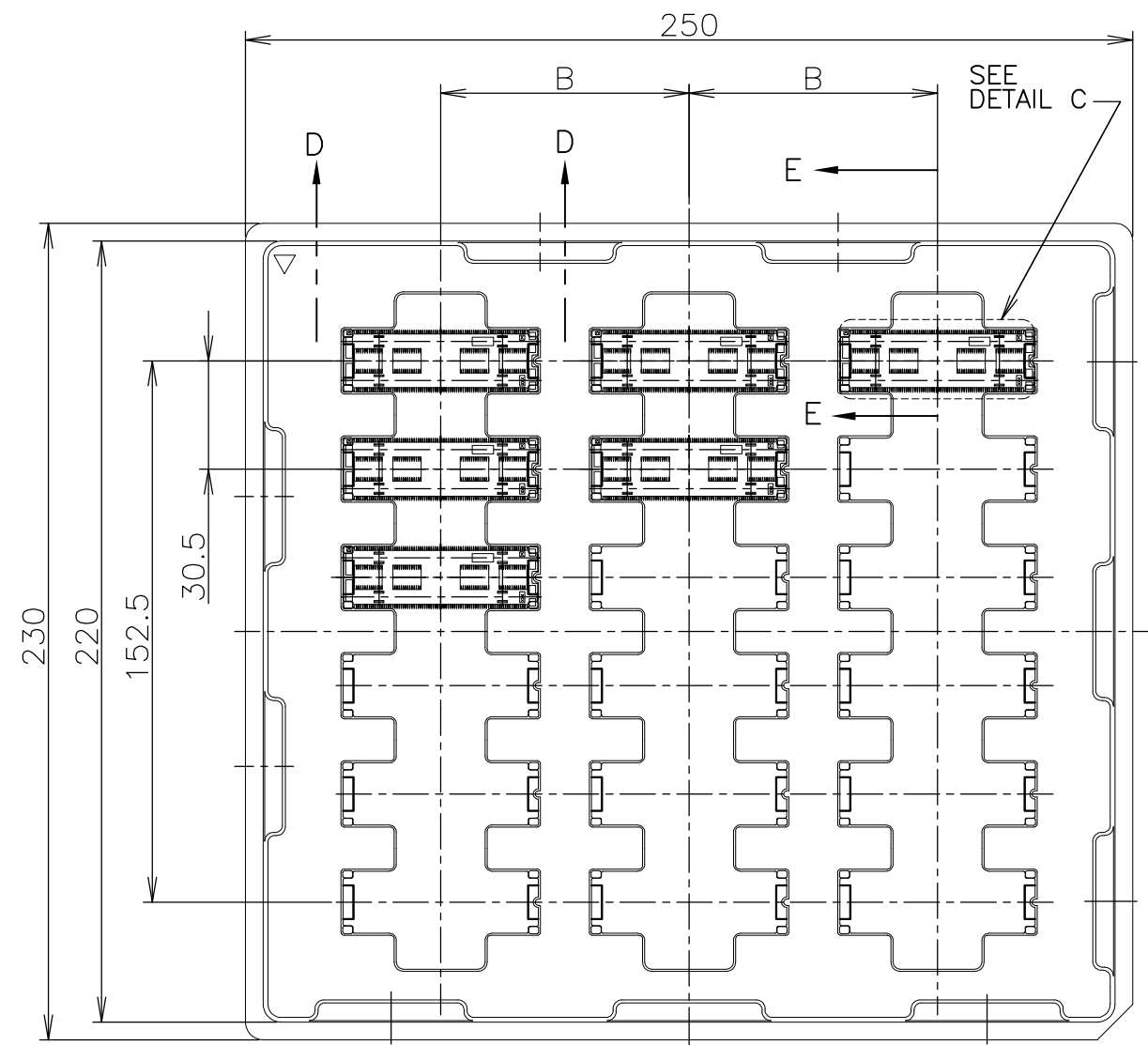


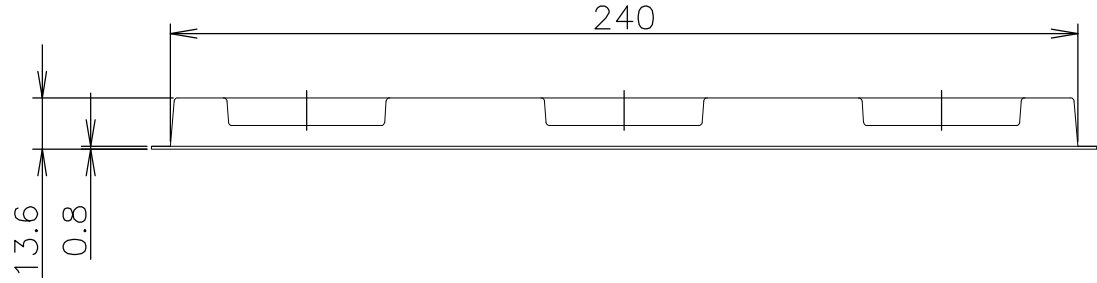
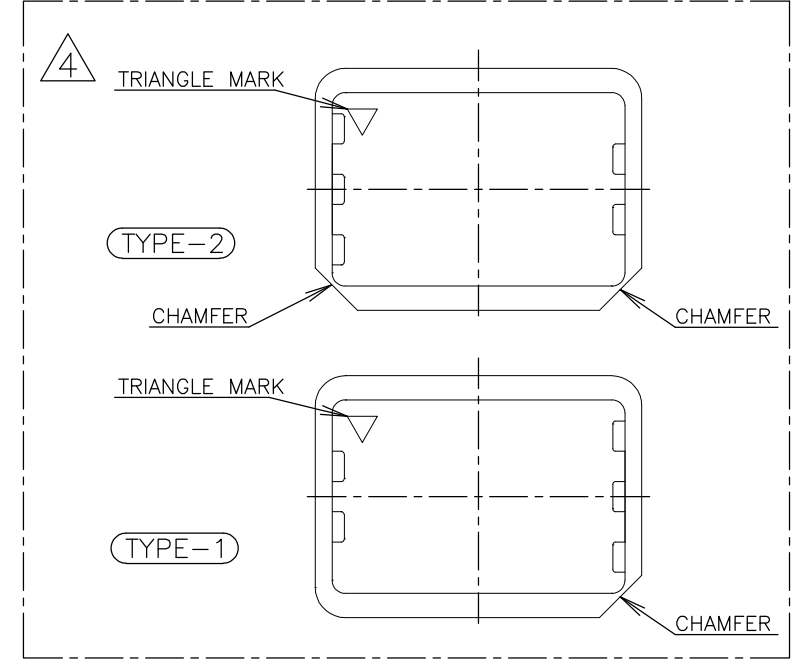
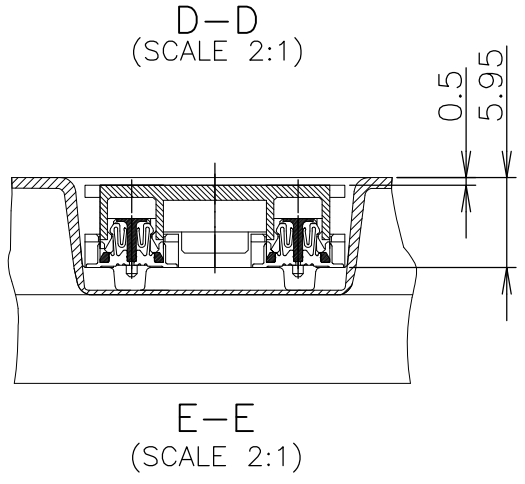
THIS DRAWING IS UNPUBLISHED. RELEASED FOR PUBLICATION NOV, 1998.
 © COPYRIGHT 1998 BY TYCO ELECTRONICS CORPORATION. ALL RIGHTS RESERVED.

LOC J	DIST	REVISIONS 変更			DATE	DWN	APVD
P	LTR	DESCRIPTION	DATE	DWN	APVD		
	A	REVISED ECR-08-000340	01FEB08	T.T	T.F		

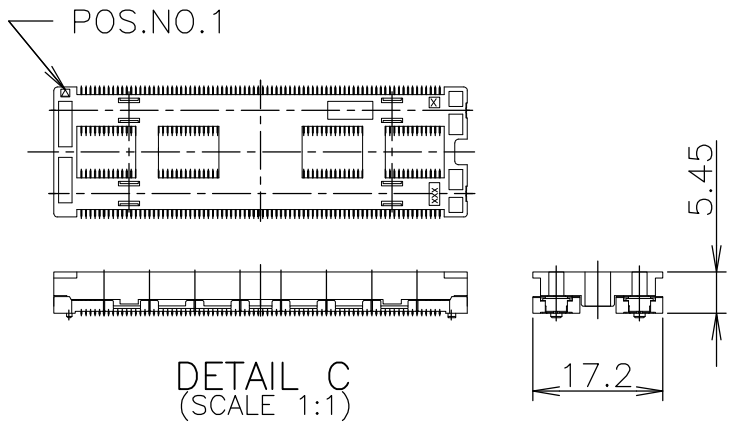
AS SHOWN: TYPE-1



4 TRAY TYPE-1 AND TYPE-2 MUST BE PILED UP BY TURNS.
(REFER TO PACKING SPECIFICATIONS)



SEALANT	AVAILABLE	3	18	70	54.7	320	5-912069-4	6-6318157-1
	NOT AVAILABLE	↑	↑	↑	48.7	280	5- ↑ -3	6- ↑ -0
	NOT AVAILABLE	↓	↓	↓	42.7	240	5- -2	5- -9
	NOT AVAILABLE	3	18	70	36.7	200	5- -1	5- -8
NON SEALANT	NOT AVAILABLE	3	18	70	54.7	320	5- -4	1- -1
	NOT AVAILABLE	↑	↑	↑	48.7	280	5- -3	1- -0
	NOT AVAILABLE	↓	↓	↓	42.7	240	5- -2	-9
	NOT AVAILABLE	3	18	70	36.7	200	5-912069-1	6318157-8
SEALANT	TOOLING STATUS	ROW	QTY	B	A	POS.	TRAY P/N	PART NO.



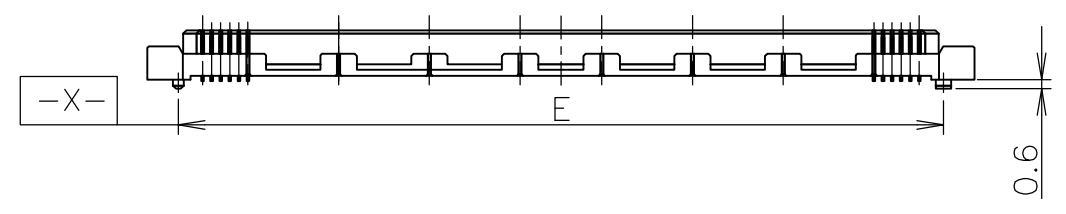
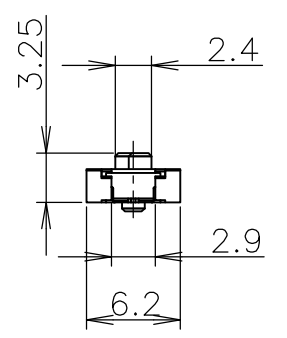
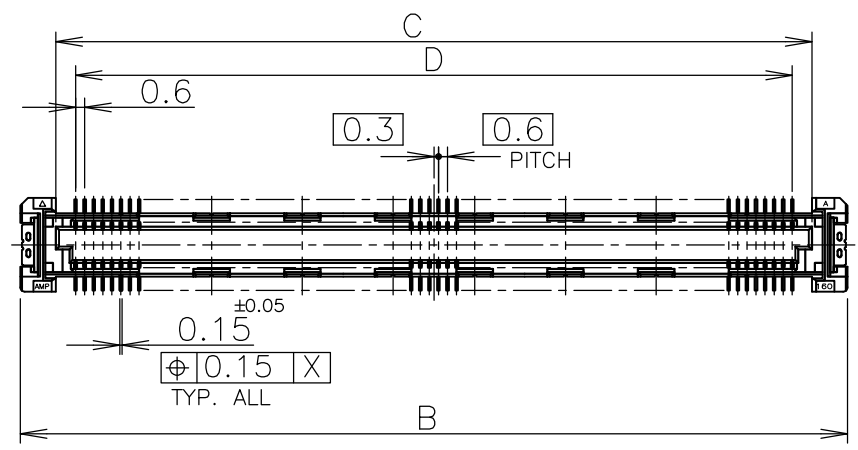
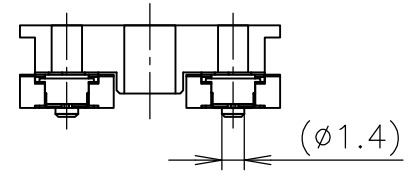
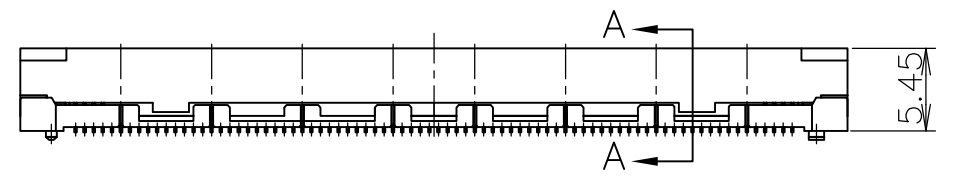
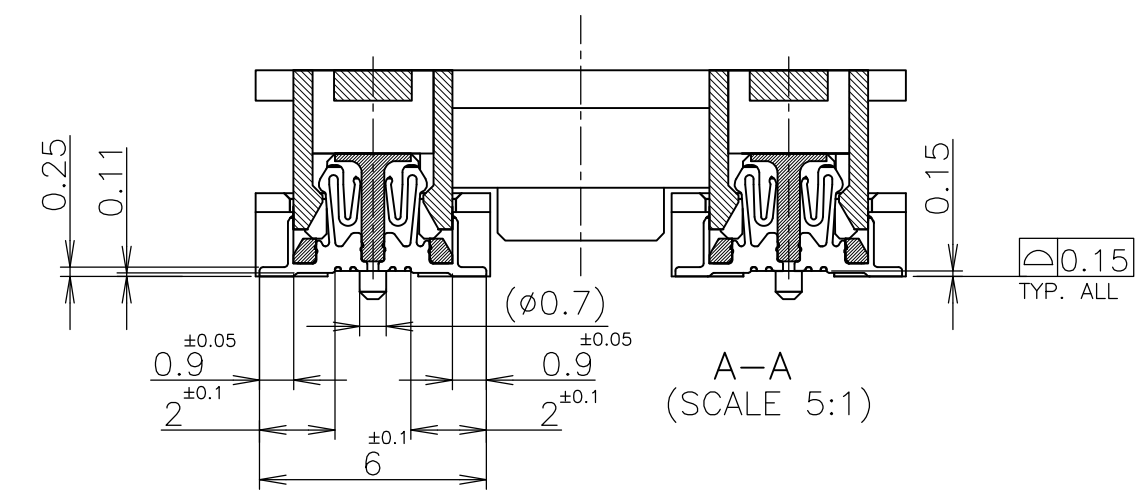
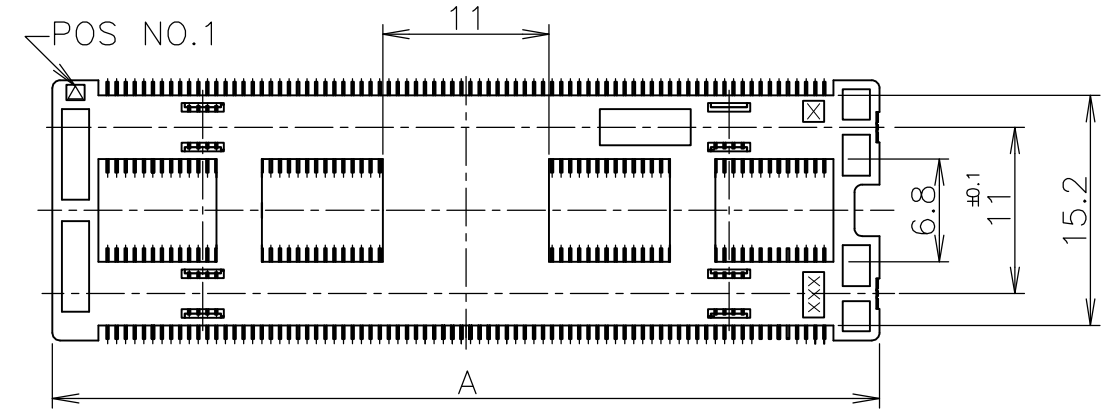
GENERAL TOLERANCE
一般公差
 10 ≥ ±0.2
 30 ≥ >10: ±0.25
 100 ≥ >30: ±0.3
 ANGLES: ±3°

THIS DRAWING IS A CONTROLLED DOCUMENT.

DWN HAWKING HE 13DEC04	Tyco Electronics Tyco Electronics Corporation Kawasaki, Japan
CHK STEVEN YAO 13DEC04	
APVD I.ENOMOTO 13DEC04	NAME 名称
PRODUCT SPEC 製品規格 108-60047	SOFT TRAY ASSY FH 0.6BTB CONNECTOR REC 4H W/G-CONT 2ROW TYPE
APPLICATION SPEC 取付適用規格 114-5255	SIZE A3
WEIGHT	CAGE CODE 00779
CUSTOMER DRAWING	DRAWING NO 番号 G-6318157
	RESTRICTED TO
	SCALE 尺度 1:2
	SHEET 1 OF 6
	REV A

THIS DRAWING IS UNPUBLISHED. RELEASED FOR PUBLICATION NOV, 1998.
 © COPYRIGHT 1998 BY TYCO ELECTRONICS CORPORATION. ALL RIGHTS RESERVED.

LOC	DIST	REVISIONS					
		P	LTR	DESCRIPTION	DATE	DWN	APVD
J			-	SEE SHEET 1	-	-	-



- ① MATERIAL ; ① HOUSING : HIGH TEMP THERMO PLASTIC UL94V-0 (COLOR : NATURAL)
- ② CONTACT : COPPER ALLOY
- ③ CAP HOUSING : HIGH TEMP THERMO PLASTIC UL94V-0 (COLOR : BLACK)
- ② FINISH ; UNDER PL Ni 0.0013mm MIN ALL OVER.
CONTACT AREA 0.0002 MIN Au PL.
SOLDERING AREA
SIGNAL POS: 0.00005 MIN Au PL.
GROUND POS: 0.001 MIN TIN PL.
- ③ THIS POSITION IS GROUND CIRCUIT.

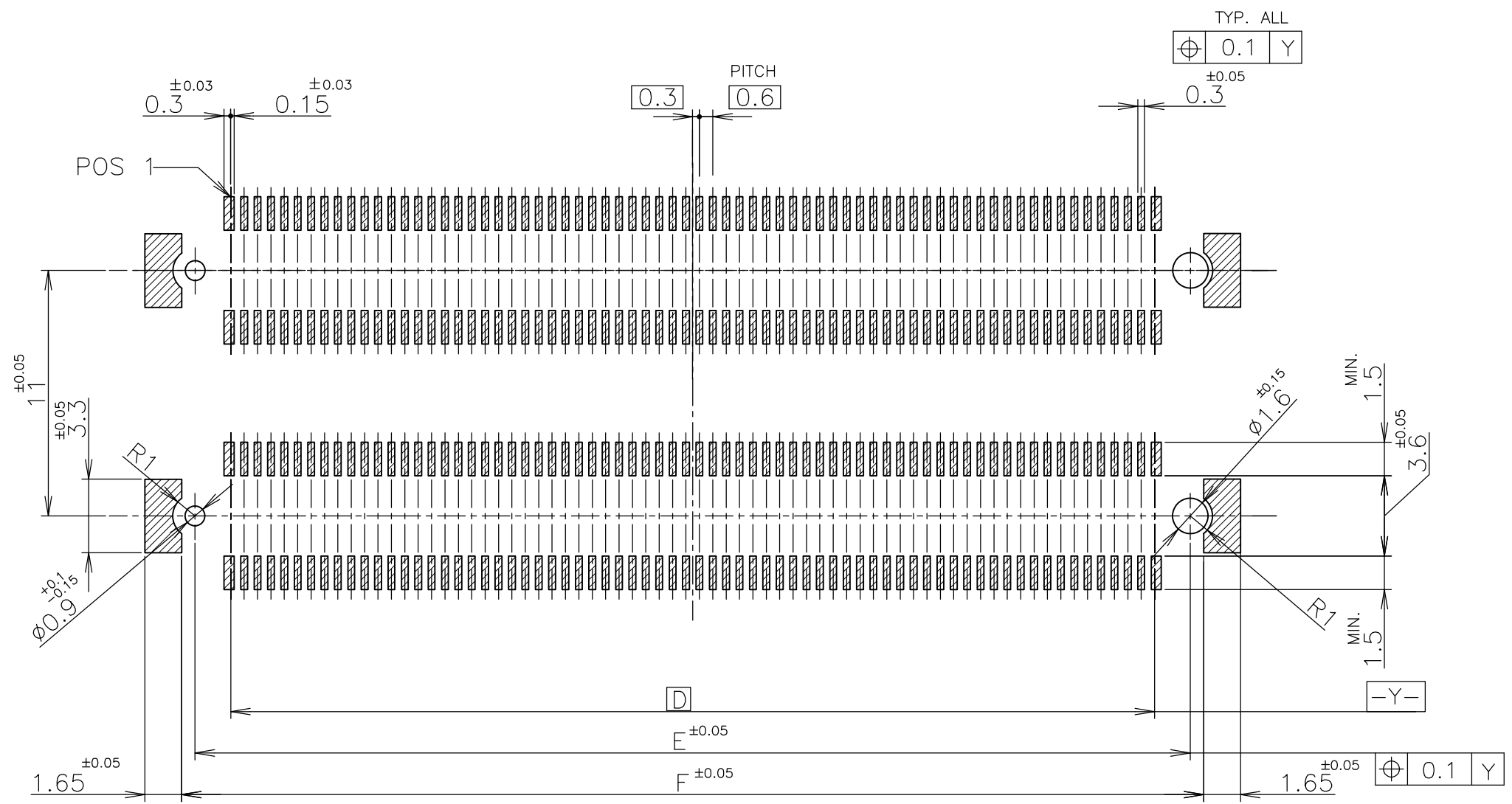
AVAILABLE	51.8	50.6	47.4	50	54.7	54.7	320	1-	-1
NOT AVAILABLE	45.8	44.6	41.4	44	48.7	48.7	280	1-	-0
NOT AVAILABLE	39.8	38.6	35.4	38	42.7	42.7	240		-9
NOT AVAILABLE	33.8	32.6	29.4	32	36.7	36.7	200		1318159-8
TOOLING STATUS	F	E	D	C	B	A	POS		CAP P/N

GENERAL TOLERANCE
 一般公差
 10 ≥ ±0.2
 30 ≥ >10: ±0.25
 100 ≥ >30: ±0.3
 ANGLES: ±3°

THIS DRAWING IS A CONTROLLED DOCUMENT.

DIMENSIONS: 単位: 耗 mm	TOLERANCES UNLESS OTHERWISE SPECIFIED: 一般公差	DWN	Tyco Electronics Corporation Kawasaki, Japan	
	0 PLC ±-	CHK	NAME 名称	
	1 PLC ±-	APVD	SOFT TRAY ASSY	
	2 PLC ±-	PRODUCT SPEC 製品規格	FH 0.6BTB CONNECTOR	
	3 PLC ±-	APPLICATION SPEC 取付適用規格	REC 4H W/G-CONT 2ROW TYPE	
MATERIAL 材料	4 PLC ±-	WEIGHT	SIZE	CAGE CODE
	ANGLES ±-		A3	00779
	FINISH 仕上		DRAWING NO 番号	RESTRICTED TO
		CUSTOMER DRAWING	G-6318157	
			SCALE 尺度	SHEET
			2:1	2 OF 6
				REV A

LOC	DIST	REVISIONS					
J		P	LTR	DESCRIPTION	DATE	DWN	APVD
		-		SEE SHEET 1	-	-	-



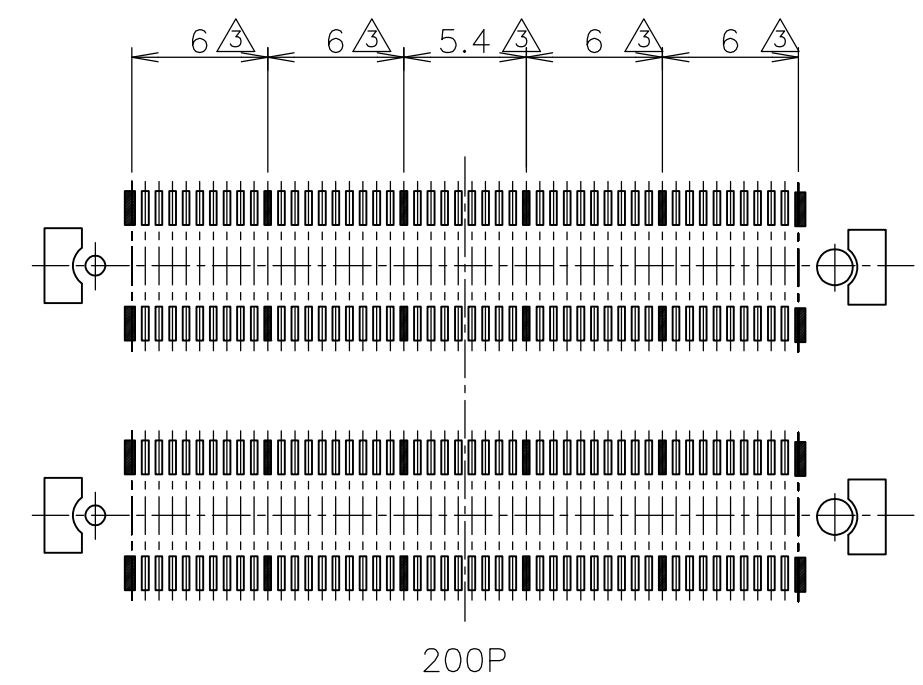
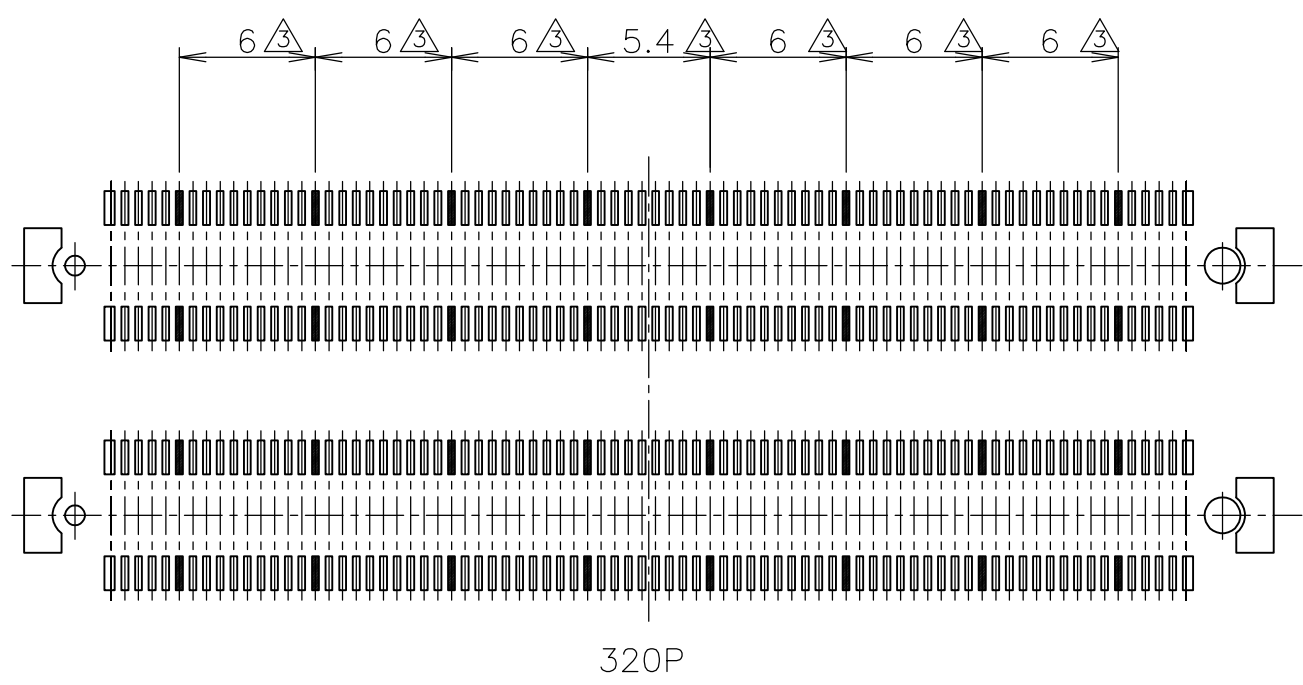
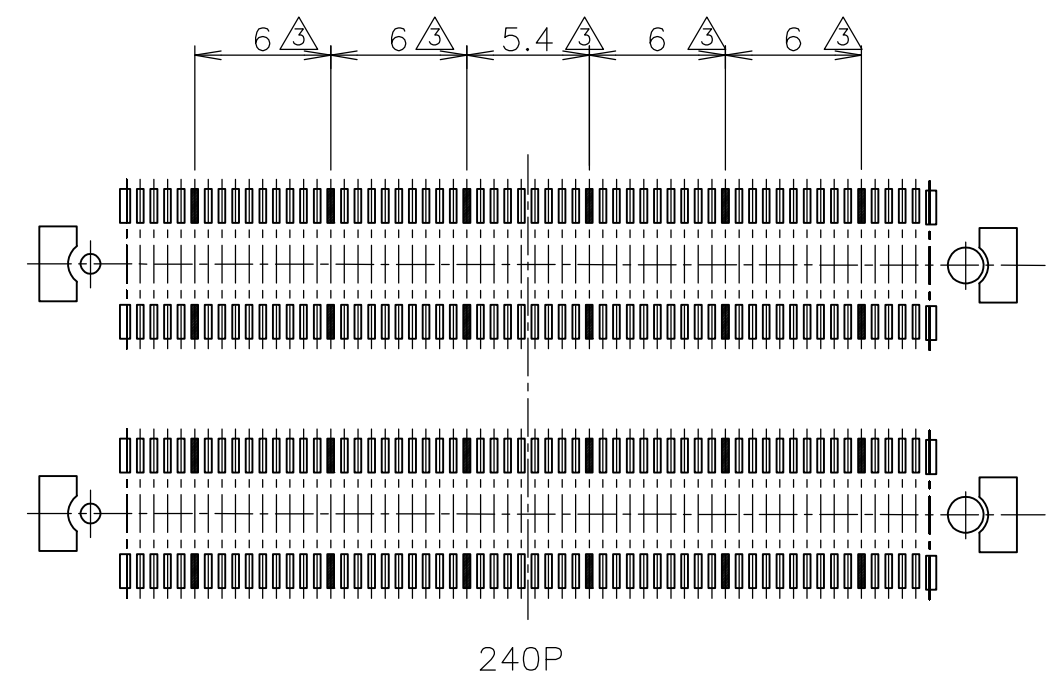
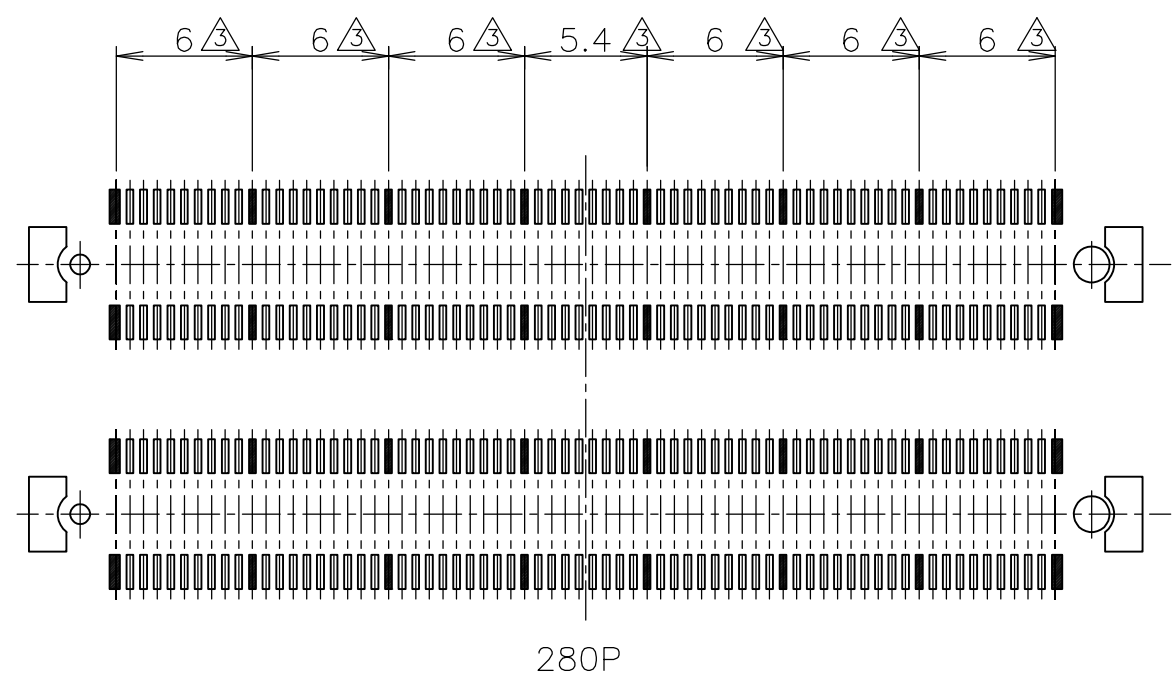
REFERENCE P.C.BOARD LAYOUT

THIS DRAWING IS A CONTROLLED DOCUMENT.		DWN	Tyco Electronics Corporation Kawasaki, Japan		
DIMENSIONS: 単位: 耗 mm		CHK	NAME 名称		
TOLERANCES UNLESS OTHERWISE SPECIFIED: 一般公差		APVD	SOFT TRAY ASSY		
0 PLC ±-		PRODUCT SPEC 製品規格	FH 0.6BTB CONNECTOR		
1 PLC ±-		APPLICATION SPEC 取付適用規格	REC 4H W/G-CONT 2ROW TYPE		
2 PLC ±-		SIZE	CAGE CODE	DRAWING NO 番号	RESTRICTED TO
3 PLC ±-		A3	00779	G-6318157	
4 PLC ±-		CUSTOMER DRAWING		SCALE 尺度 4:1	SHEET 3 OF 6
ANGLES ±-				REV A	
FINISH 仕上					
MATERIAL 材料					

GENERAL TOLERANCE 一般公差
 10 ≥ ±0.2
 30 ≥ >10: ±0.25
 100 ≥ >30: ±0.3
 ANGLES: ±3°

THIS DRAWING IS UNPUBLISHED. RELEASED FOR PUBLICATION NOV , 1998.
 © COPYRIGHT 1998 BY TYCO ELECTRONICS CORPORATION. ALL RIGHTS RESERVED.

LOC	DIST	REVISIONS 変更					
J		P	LTR	DESCRIPTION	DATE	DWN	APVD
			-	SEE SHEET 1	-	-	-



GENERAL TOLERANCE
一般公差

10 ≥ ±0.2
 30 ≥ >10: ±0.25
 100 ≥ >30: ±0.3
 ANGLES: ±3°

THIS DRAWING IS A CONTROLLED DOCUMENT.

DIMENSIONS:
単位: 耗
mm

TOLERANCES UNLESS OTHERWISE SPECIFIED:
一般公差

0 PLC	±-
1 PLC	±-
2 PLC	±-
3 PLC	±-
4 PLC	±-
ANGLES	±-

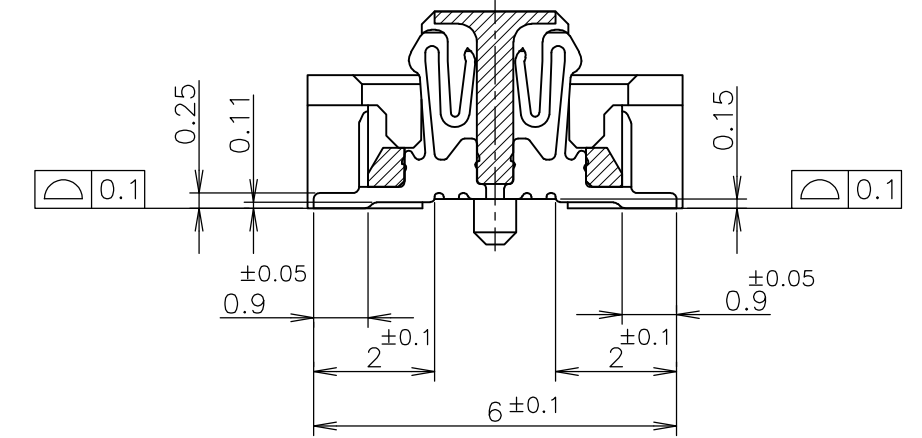
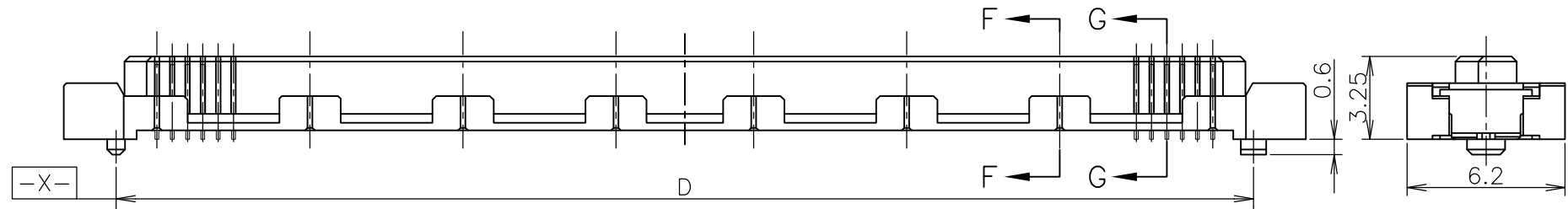
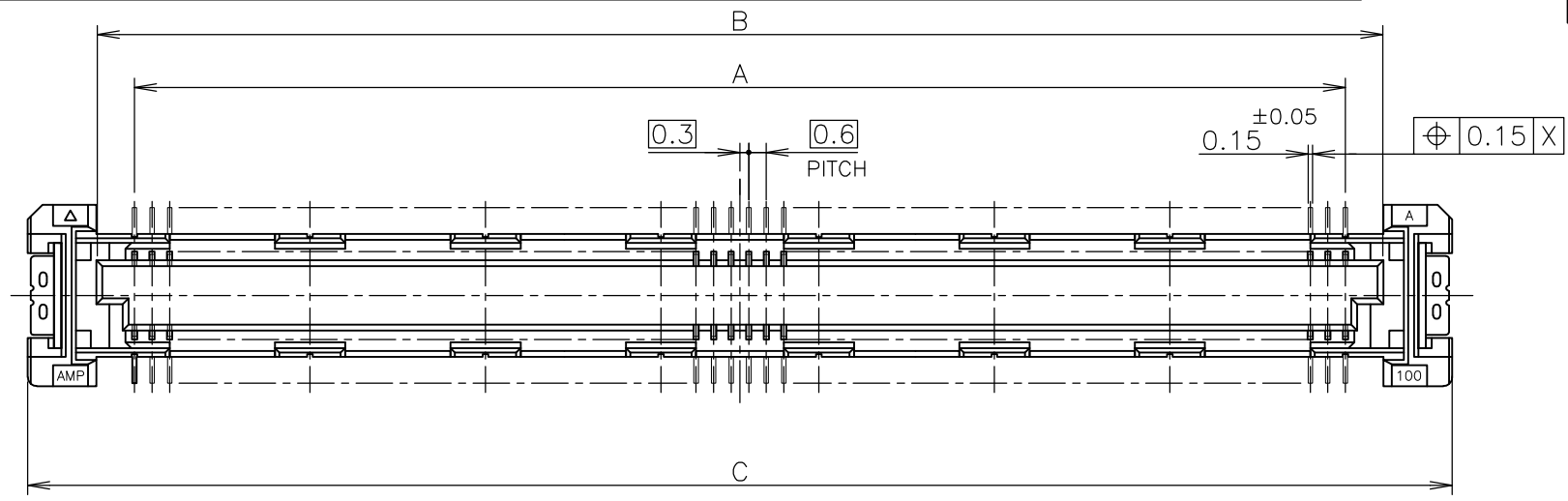
FINISH
仕上

MATERIAL
材料

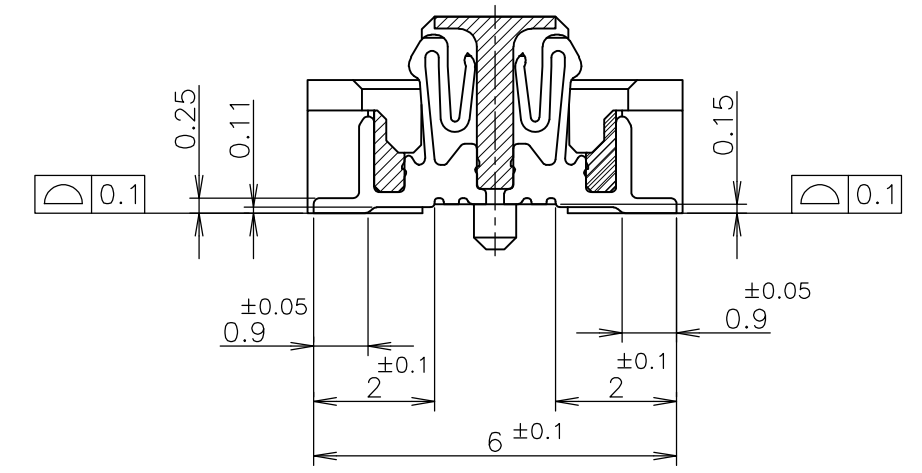
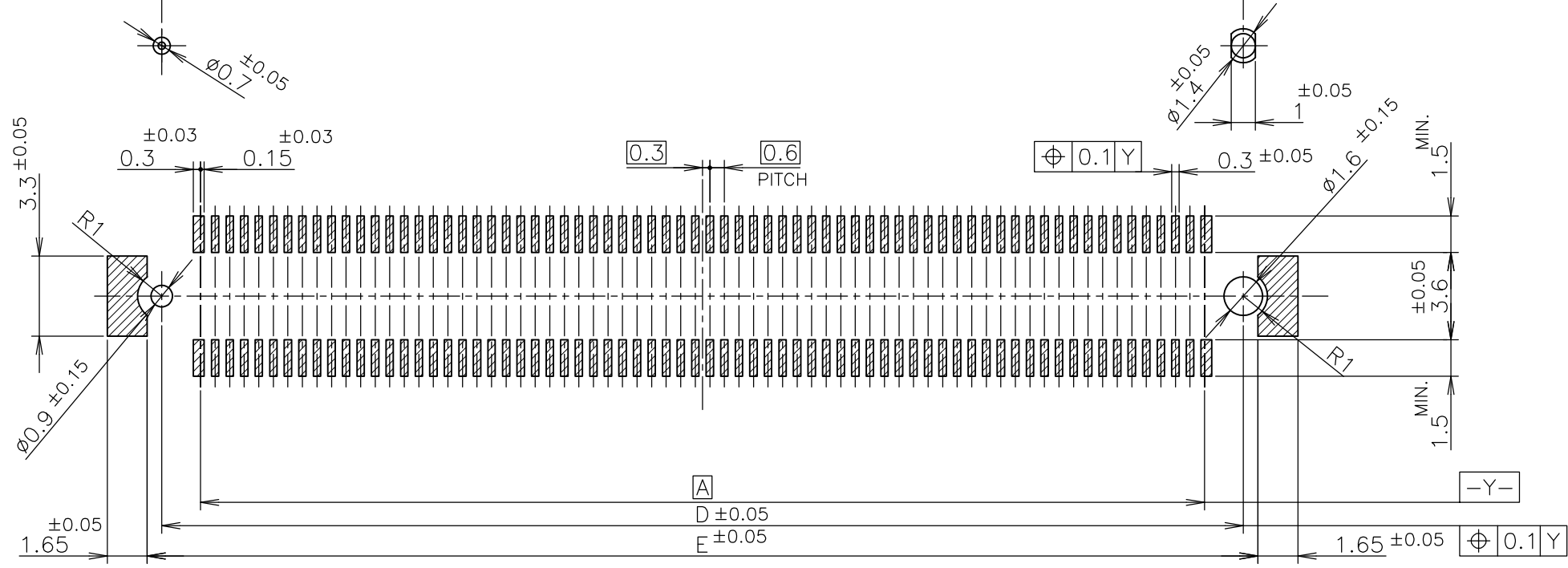
DWN	Tyco Electronics Corporation Kawasaki, Japan		
CHK	NAME 名称		
APVD	SOFT TRAY ASSY FH 0.6BTB CONNECTOR REC 4H W/G-CONT 2ROW TYPE		
PRODUCT SPEC 製品規格	SIZE	CAGE CODE	DRAWING NO 番号
APPLICATION SPEC 取付適用規格	A3	00779	G-6318157
WEIGHT	CUSTOMER DRAWING		RESTRICTED TO
	SCALE 尺度	SHEET	REV
	3:1	4 OF 6	A

THIS DRAWING IS UNPUBLISHED. RELEASED FOR PUBLICATION NOV, 1998.
 © COPYRIGHT 1998 BY TYCO ELECTRONICS CORPORATION. ALL RIGHTS RESERVED.

LOC	DIST	REVISIONS		
J		P	LTR	DESCRIPTION
				DATE
				DWN
				APVD
		SEE SHEET 1		



G-G
(SIGNAL POSITION)
(SCALE 8:1)



F-F
(GROUND POSITION)
(SCALE 8:1)

REFERENCE P.C. BOARD LAYOUT

AVAILABLE	51.8	50.6	54.7	50	47.4	160
AVAILABLE	45.8	44.6	48.7	44	41.4	140
NOT AVAILABLE	39.8	38.6	42.7	38	35.4	120
AVAILABLE	33.8	32.6	36.7	32	29.4	100
TOOLING STATUS	E	D	C	B	A	POS

THIS DRAWING IS A CONTROLLED DOCUMENT.		DWN	Tyco Electronics Corporation Kawasaki, Japan		
DIMENSIONS: 単位: 耗 mm		CHK	NAME 名称		
TOLERANCES UNLESS OTHERWISE SPECIFIED: 一般公差		APVD	SOFT TRAY ASSY		
0 PLC ± 0.3		PRODUCT SPEC 製品規格	FH 0.6BTB CONNECTOR		
1 PLC ± 0.3		APPLICATION SPEC 取付適用規格	REC 4H W/G-CONT 2ROW TYPE		
2 PLC ± 0.3		WEIGHT	SIZE	CAGE CODE	DRAWING NO 番号
3 PLC ± 0.3		CUSTOMER DRAWING	A3	00779	G-6318157
4 PLC ± 0.3			SCALE 尺度	SHEET	REV
ANGLES ± 3'			4:1	5 OF 6	A
FINISH 仕上					

THIS DRAWING IS UNPUBLISHED.

RELEASED FOR PUBLICATION

NOV, 1998.

© COPYRIGHT 1998 BY TYCO ELECTRONICS CORPORATION.

ALL RIGHTS RESERVED.

LOC

DIST

REVISIONS

変更

DESCRIPTION

DATE

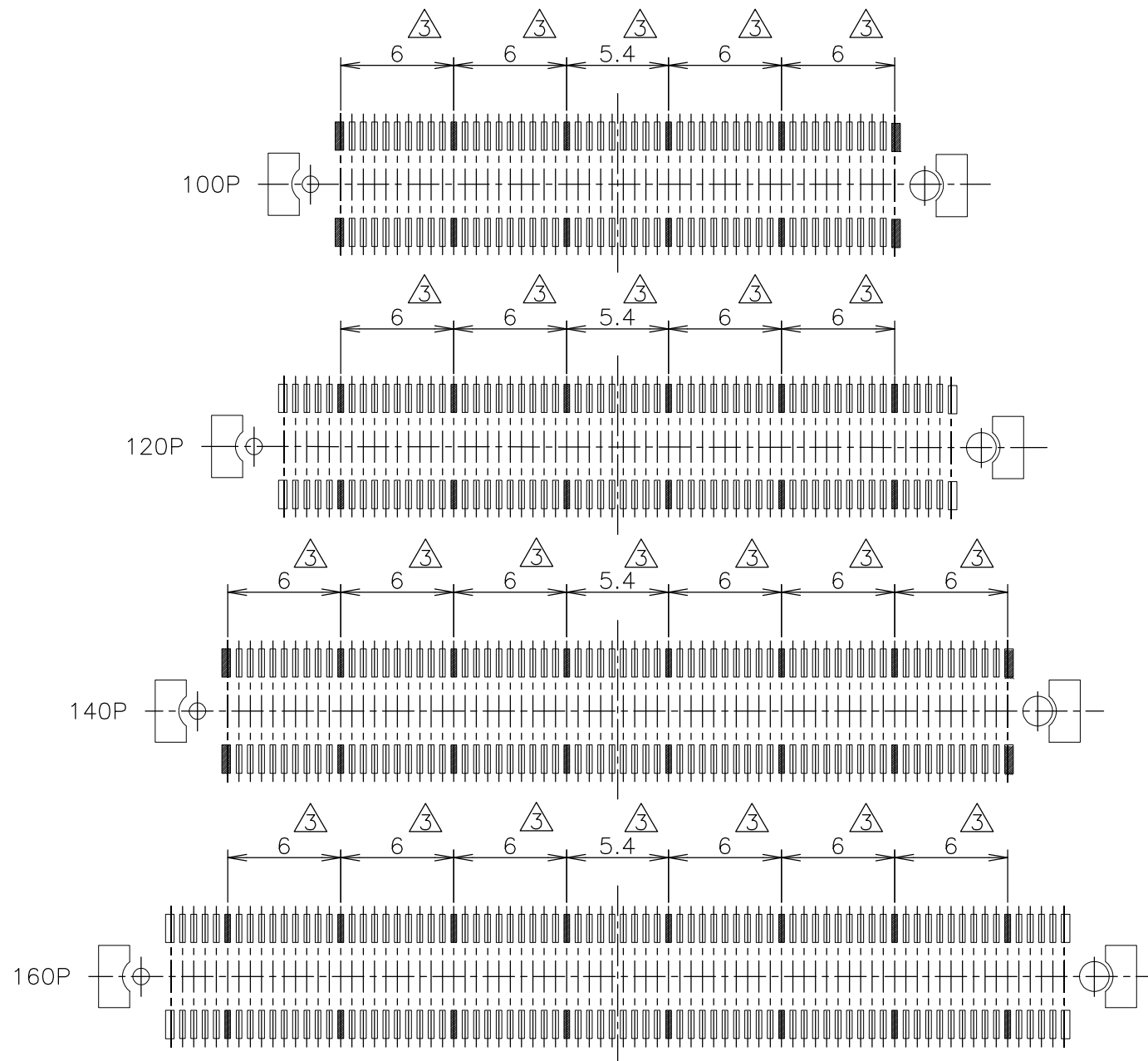
DWN

APVD

P

LTR

SEE SHEET 1



THIS DRAWING IS A CONTROLLED DOCUMENT.		DWN	Tyco Electronics Corporation Kawasaki, Japan		
DIMENSIONS: 単位: 耗 mm		CHK	NAME 名称		
TOLERANCES UNLESS OTHERWISE SPECIFIED: 一般公差		APVD	SOFT TRAY ASSY FH 0.6BTB CONNECTOR REC 4H W/G-CONT 2ROW TYPE		
0 PLC ± 0.3 1 PLC ± 0.3 2 PLC ± 0.3 3 PLC ± 0.3 4 PLC ± 0.3 ANGLES ± 3'		PRODUCT SPEC 製品規格	SIZE	CAGE CODE	DRAWING NO 番号
MATERIAL 材料		APPLICATION SPEC 取付適用規格	A3	00779	G-6318157
FINISH 仕上		WEIGHT	RESTRICTED TO		
CUSTOMER DRAWING			SCALE 尺度	SHEET	REV
			3:1	6 OF 6	A