

# MC74HC574A

## Octal 3-State Noninverting D Flip-Flop

### High-Performance Silicon-Gate CMOS

The MC74HC574A is identical in pinout to the LS574. The device inputs are compatible with standard CMOS outputs; with pull-up resistors, they are compatible with LSTTL outputs.

Data meeting the set-up time is clocked to the outputs with the rising edge of the Clock. The Output Enable input does not affect the states of the flip-flops but when Output Enable is high, all device outputs are forced to the high-impedance state. Thus, data may be stored even when the outputs are not enabled.

The HC574A is identical in function to the HC374A but has the flip-flop inputs on the opposite side of the package from the outputs to facilitate PC board layout.

#### Features

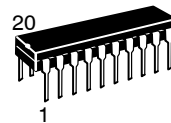
- Output Drive Capability: 15 LSTTL Loads
- Outputs Directly Interface to CMOS, NMOS, and TTL
- Operating Voltage Range: 2.0 to 6.0 V
- Low Input Current: 1.0  $\mu$ A
- In Compliance with the Requirements Defined by JEDEC Standard No. 7 A
- Chip Complexity: 266 FETs or 66.5 Equivalent Gates
- These Devices are Pb-Free and are RoHS Compliant



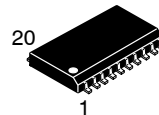
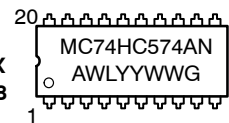
ON Semiconductor®

<http://onsemi.com>

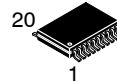
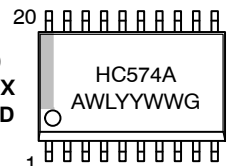
#### MARKING DIAGRAMS



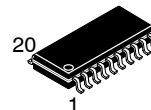
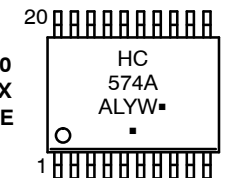
PDIP-20  
N SUFFIX  
CASE 738



SOIC-20  
DW SUFFIX  
CASE 751D



TSSOP-20  
DT SUFFIX  
CASE 948E



SOEIAJ-20  
F SUFFIX  
CASE 967



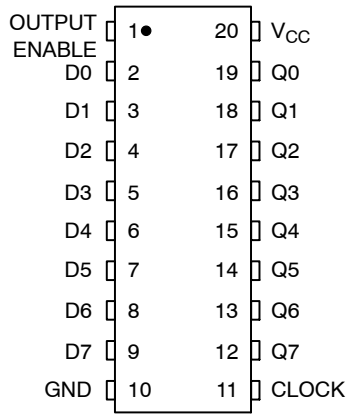
A = Assembly Location  
WL, L = Wafer Lot  
YY, Y = Year  
WW, W = Work Week  
G or ▪ = Pb-Free Package

(Note: Microdot may be in either location)

#### ORDERING INFORMATION

See detailed ordering and shipping information in the package dimensions section on page 4 of this data sheet.

# MC74HC574A

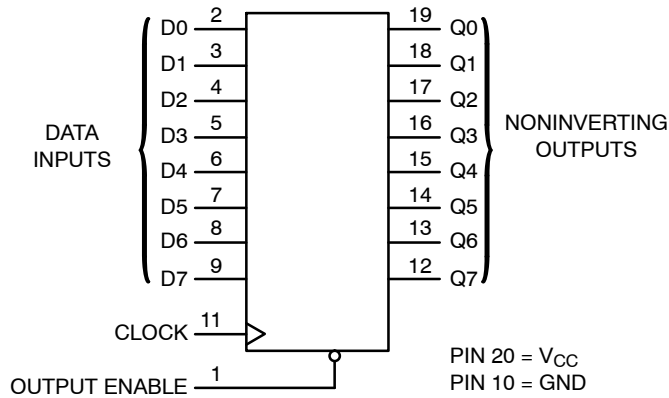


**FUNCTION TABLE**

| Inputs |       |   | Output    |
|--------|-------|---|-----------|
| OE     | Clock | D | Q         |
| L      |       | H | H         |
| L      |       | L | L         |
| L      | L,H,  | X | No Change |
| H      | X     | X | Z         |

X = Don't Care  
Z = High Impedance

**Figure 1. Pin Assignment**



**Figure 2. Logic Diagram**

| Design Criteria                 | Value  | Units   |
|---------------------------------|--------|---------|
| Internal Gate Count*            | 66.5   | ea.     |
| Internal Gate Propagation Delay | 1.5    | ns      |
| Internal Gate Power Dissipation | 5.0    | $\mu$ W |
| Speed Power Product             | 0.0075 | $\mu$ J |

\*Equivalent to a two-input NAND gate.

# MC74HC574A

## MAXIMUM RATINGS

| Symbol               | Parameter                                       | Value  | Unit        |
|----------------------|---|--|-------------|
| V <sub>CC</sub>      | DC Supply Voltage                               | - 0.5 to +7.0  | V           |
| V <sub>I</sub>       | DC Input Voltage                                | - 0.5 to V <sub>CC</sub> + 0.5   | V           |
| V <sub>O</sub>       | DC Output Voltage (Note 1)                      | - 0.5 to V <sub>CC</sub> + 0.5   | V           |
| I <sub>IK</sub>      | DC Input Diode Current                          | ± 20   | mA          |
| I <sub>OK</sub>      | DC Output Diode Current                         | ± 35   | mA          |
| I <sub>O</sub>       | DC Output Sink Current                          | ± 35   | mA          |
| I <sub>CC</sub>      | DC Supply Current per Supply Pin                | ± 75   | mA          |
| I <sub>GND</sub>     | DC Ground Current per Ground Pin                | ± 75   | mA          |
| T <sub>STG</sub>     | Storage Temperature Range                       | - 65 to + 150  | °C          |
| T <sub>L</sub>       | Lead Temperature, 1 mm from Case for 10 Seconds | 260  | °C          |
| T <sub>J</sub>       | Junction Temperature under Bias                 | + 150  | °C          |
| θ <sub>JA</sub>      | Thermal Resistance                              | PDIP<br>SOIC<br>TSSOP<br>67<br>96<br>128   | °C/W        |
| P <sub>D</sub>       | Power Dissipation in Still Air at 85°C          | PDIP<br>SOIC<br>TSSOP<br>750<br>500<br>450   | mW          |
| MSL                  | Moisture Sensitivity                            | Level 1  |             |
| F <sub>R</sub>       | Flammability Rating                             | Oxygen Index: 30% - 35%<br>UL 94 V-0 @ 0.125 in  |             |
| V <sub>ESD</sub>     | ESD Withstand Voltage                           | Human Body Model (Note 2)<br>Machine Model (Note 3)<br>Charged Device Model (Note 4)<br>>4000<br>>300<br>>1000 | V           |
| I <sub>Latchup</sub> | Latchup Performance                             | Above V <sub>CC</sub> and Below GND at 85°C (Note 5)   | ± 300<br>mA |

Stresses exceeding Maximum Ratings may damage the device. Maximum Ratings are stress ratings only. Functional operation above the Recommended Operating Conditions is not implied. Extended exposure to stresses above the Recommended Operating Conditions may affect device reliability.

1. I<sub>O</sub> absolute maximum rating must be observed.
2. Tested to EIA/JESD22-A114-A.
3. Tested to EIA/JESD22-A115-A.
4. Tested to JESD22-C101-A.
5. Tested to EIA/JESD78.

## RECOMMENDED OPERATING CONDITIONS

| Symbol                          | Parameter  | Min   | Max                     | Unit |
|---------------------------------|--|---|-------------------------|------|
| V <sub>CC</sub>                 | DC Supply Voltage (Referenced to GND)                | 2.0   | 6.0                     | V    |
| V <sub>I</sub> , V <sub>O</sub> | DC Input Voltage, Output Voltage (Referenced to GND) | 0   | V <sub>CC</sub>         | V    |
| T <sub>A</sub>                  | Operating Temperature, All Package Types             | - 55  | + 125                   | °C   |
| t <sub>r</sub> , t <sub>f</sub> | Input Rise and Fall Time (Figure 3)                  | V <sub>CC</sub> = 2.0 V<br>V <sub>CC</sub> = 4.5 V<br>V <sub>CC</sub> = 6.0 V | 0<br>1000<br>500<br>400 | ns   |

6. Unused inputs may not be left open. All inputs must be tied to a high- or low-logic input voltage level.

# MC74HC574A

## ORDERING INFORMATION

| Device          | Package                   | Shipping <sup>†</sup> |
|-----------------|---------------------------|-----------------------|
| MC74HC574ANG    | PDIP-20<br>(Pb-Free)      | 18 Units / Box        |
| MC74HC574ADWG   | SOIC-20 WIDE<br>(Pb-Free) | 38 Units / Rail       |
| MC74HC574ADWR2G | SOIC-20 WIDE<br>(Pb-Free) | 1000 Tape & Reel      |
| MC74HC574ADTR2G | TSSOP-20*                 | 2500 Tape & Reel      |
| MC74HC574AFG    | SOEIAJ-20<br>(Pb-Free)    | 40 Units / Rail       |
| MC74HC574AFELG  | SOEIAJ-20<br>(Pb-Free)    | 2000 Tape & Reel      |

<sup>†</sup>For information on tape and reel specifications, including part orientation and tape sizes, please refer to our Tape and Reel Packaging Specifications Brochure, BRD8011/D.

\*This package is inherently Pb-Free.

## DC ELECTRICAL CHARACTERISTICS (Voltages Referenced to GND)

| Symbol          | Parameter                                      | Test Conditions   | V <sub>CC</sub><br>V | Guaranteed Limit |        |         | Unit |
|-----------------|--|---|----------------------|------------------|--------|---------|------|
|                 |  |   |                      | -55 to 25°C      | ≤ 85°C | ≤ 125°C |      |
| V <sub>IH</sub> | Minimum High-Level Input Voltage               | V <sub>out</sub> = V <sub>CC</sub> - 0.1 V<br> I <sub>out</sub>   ≤ 20 μA   | 2.0                  | 1.5              | 1.5    | 1.5     | V    |
|                 |  |   | 3.0                  | 2.1              | 2.1    | 2.1     |      |
|                 |  |   | 4.5                  | 3.15             | 3.15   | 3.15    |      |
|                 |  |   | 6.0                  | 4.2              | 4.2    | 4.2     |      |
| V <sub>IL</sub> | Maximum Low-Level Input Voltage                | V <sub>out</sub> = 0.1 V<br> I <sub>out</sub>   ≤ 20 μA   | 2.0                  | 0.5              | 0.5    | 0.5     | V    |
|                 |  |   | 3.0                  | 0.9              | 0.9    | 0.9     |      |
|                 |  |   | 4.5                  | 1.35             | 1.35   | 1.35    |      |
|                 |  |   | 6.0                  | 1.8              | 1.8    | 1.8     |      |
| V <sub>OH</sub> | Minimum High-Level Output Voltage              | V <sub>in</sub> = V <sub>IH</sub><br> I <sub>out</sub>   ≤ 20 μA  | 2.0                  | 1.9              | 1.9    | 1.9     | V    |
|                 |  |   | 4.5                  | 4.4              | 4.4    | 4.4     |      |
|                 |  |   | 6.0                  | 5.9              | 5.9    | 5.9     |      |
| V <sub>OH</sub> | Minimum High-Level Output Voltage              | V <sub>in</sub> = V <sub>IH</sub><br> I <sub>out</sub>   ≤ 2.4 mA<br> I <sub>out</sub>   ≤ 6.0 mA<br> I <sub>out</sub>   ≤ 7.8 mA   | 3.0                  | 2.48             | 2.34   | 2.2     | V    |
|                 |  |   | 4.5                  | 3.98             | 3.84   | 3.7     |      |
|                 |  |   | 6.0                  | 5.48             | 5.34   | 5.2     |      |
| V <sub>OL</sub> | Maximum Low-Level Output Voltage               | V <sub>in</sub> = V <sub>IL</sub><br> I <sub>out</sub>   ≤ 20 μA  | 2.0                  | 0.1              | 0.1    | 0.1     | V    |
|                 |  |   | 4.5                  | 0.1              | 0.1    | 0.1     |      |
|                 |  |   | 6.0                  | 0.1              | 0.1    | 0.1     |      |
|                 |  | V <sub>in</sub> = V <sub>IL</sub><br> I <sub>out</sub>   ≤ 2.4 mA<br> I <sub>out</sub>   ≤ 6.0 mA<br> I <sub>out</sub>   ≤ 7.8 mA   | 3.0                  | 0.26             | 0.33   | 0.4     |      |
|                 |  |   | 4.5                  | 0.26             | 0.33   | 0.4     |      |
|                 |  |   | 6.0                  | 0.26             | 0.33   | 0.4     |      |
| I <sub>in</sub> | Maximum Input Leakage Current                  | V <sub>in</sub> = V <sub>CC</sub> or GND  | 6.0                  | ± 0.1            | ± 1.0  | ± 1.0   | μA   |
| I <sub>OZ</sub> | Maximum Three-State Leakage Current            | Output in High-Impedance State<br>V <sub>in</sub> = V <sub>IL</sub> or V <sub>IH</sub><br>V <sub>out</sub> = V <sub>CC</sub> or GND | 6.0                  | ± 0.5            | ± 5.0  | ± 10    | μA   |
| I <sub>CC</sub> | Maximum Quiescent Supply Current (per Package) | V <sub>in</sub> = V <sub>CC</sub> or GND<br>I <sub>out</sub> = 0 μA   | 6.0                  | 4.0              | 40     | 160     | μA   |

# MC74HC574A

## AC ELECTRICAL CHARACTERISTICS (C<sub>L</sub> = 50 pF; Input t<sub>r</sub> = t<sub>f</sub> = 6.0 ns)

| Symbol                                 | Parameter  | V <sub>CC</sub><br>V | Guaranteed Limit |        |         | Unit |
|--|--|----------------------|------------------|--------|---------|------|
|  |  |                      | -55 to 25°C      | ≤ 85°C | ≤ 125°C |      |
| f <sub>max</sub>                       | Maximum Clock Frequency (50% Duty Cycle)<br>(Figures 3 and 6)          | 2.0                  | 6.0              | 4.8    | 4.0     | MHz  |
|  |  | 3.0                  | 15               | 10     | 8.0     |      |
|  |  | 4.5                  | 30               | 24     | 20      |      |
|  |  | 6.0                  | 35               | 28     | 24      |      |
| t <sub>PLH</sub> ,<br>t <sub>PHL</sub> | Maximum Propagation Delay, Clock to Q<br>(Figures 3 and 6)             | 2.0                  | 160              | 200    | 240     | ns   |
|  |  | 3.0                  | 105              | 145    | 190     |      |
|  |  | 4.5                  | 32               | 40     | 48      |      |
|  |  | 6.0                  | 27               | 34     | 41      |      |
| t <sub>PLZ</sub> ,<br>t <sub>PHZ</sub> | Maximum Propagation Delay, Output Enable to Q<br>(Figures 4 and 7)     | 2.0                  | 150              | 190    | 225     | ns   |
|  |  | 3.0                  | 100              | 125    | 150     |      |
|  |  | 4.5                  | 30               | 38     | 45      |      |
|  |  | 6.0                  | 26               | 33     | 38      |      |
| t <sub>PZL</sub> ,<br>t <sub>PZH</sub> | Maximum Propagation Delay, Output Enable to Q<br>(Figures 4 and 7)     | 2.0                  | 140              | 175    | 210     | ns   |
|  |  | 3.0                  | 90               | 120    | 140     |      |
|  |  | 4.5                  | 28               | 35     | 42      |      |
|  |  | 6.0                  | 24               | 30     | 36      |      |
| t <sub>TLH</sub> ,<br>t <sub>THL</sub> | Maximum Output Transition Time, any Output<br>(Figures 3 and 6)        | 2.0                  | 60               | 75     | 90      | ns   |
|  |  | 3.0                  | 27               | 32     | 36      |      |
|  |  | 4.5                  | 12               | 15     | 18      |      |
|  |  | 6.0                  | 10               | 13     | 15      |      |
| C <sub>in</sub>                        | Maximum Input Capacitance  |                      | 10               | 10     | 10      | pF   |
| C <sub>out</sub>                       | Maximum Three-State Output Capacitance, Output in High-Impedance State |                      | 15               | 15     | 15      | pF   |

| C <sub>PD</sub> | Power Dissipation Capacitance (Per Enabled Output)* | Typical @ 25°C, V <sub>CC</sub> = 5.0 V |  |  | pF |
|-----------------|---|---|--|--|----|
|                 |   | 24                                      |  |  |    |
|                 |   |   |  |  |    |

\*Used to determine the no-load dynamic power consumption:  $P_D = C_{PD} V_{CC}^2 f + I_{CC} V_{CC}$ .

## TIMING REQUIREMENTS (C<sub>L</sub> = 50 pF; Input t<sub>r</sub> = t<sub>f</sub> = 6.0 ns)

| Symbol                          | Parameter                         | Figure | V <sub>CC</sub><br>Volts | Guaranteed Limit |      |        |      |         |      | Unit |
|---------------------------------|-----------------------------------|--------|--------------------------|------------------|------|--------|------|---------|------|------|
|                                 |                                   |        |                          | -55 to 25°C      |      | ≤ 85°C |      | ≤ 125°C |      |      |
|                                 |                                   |        |                          | Min              | Max  | Min    | Max  | Min     | Max  |      |
| t <sub>su</sub>                 | Minimum Setup Time, Data to Clock | 5      | 2.0                      | 50               |      | 65     |      | 75      |      | ns   |
|                                 |                                   |        | 3.0                      | 40               |      | 50     |      | 60      |      |      |
|                                 |                                   |        | 4.5                      | 10               |      | 13     |      | 15      |      |      |
|                                 |                                   |        | 6.0                      | 9.0              |      | 11     |      | 13      |      |      |
| t <sub>h</sub>                  | Minimum Hold Time, Clock to Data  | 5      | 2.0                      | 5.0              |      | 5.0    |      | 5.0     |      | ns   |
|                                 |                                   |        | 3.0                      | 5.0              |      | 5.0    |      | 5.0     |      |      |
|                                 |                                   |        | 4.5                      | 5.0              |      | 5.0    |      | 5.0     |      |      |
|                                 |                                   |        | 6.0                      | 5.0              |      | 5.0    |      | 5.0     |      |      |
| t <sub>w</sub>                  | Minimum Pulse Width, Clock        | 3      | 2.0                      | 75               |      | 95     |      | 110     |      | ns   |
|                                 |                                   |        | 3.0                      | 60               |      | 80     |      | 90      |      |      |
|                                 |                                   |        | 4.5                      | 15               |      | 19     |      | 22      |      |      |
|                                 |                                   |        | 6.0                      | 13               |      | 16     |      | 19      |      |      |
| t <sub>r</sub> , t <sub>f</sub> | Maximum Input Rise and Fall Times | 3      | 2.0                      |                  | 1000 |        | 1000 |         | 1000 | ns   |
|                                 |                                   |        | 3.0                      |                  | 800  |        | 800  |         | 800  |      |
|                                 |                                   |        | 4.5                      |                  | 500  |        | 500  |         | 500  |      |
|                                 |                                   |        | 6.0                      |                  | 400  |        | 400  |         | 400  |      |

# MC74HC574A

## SWITCHING WAVEFORMS

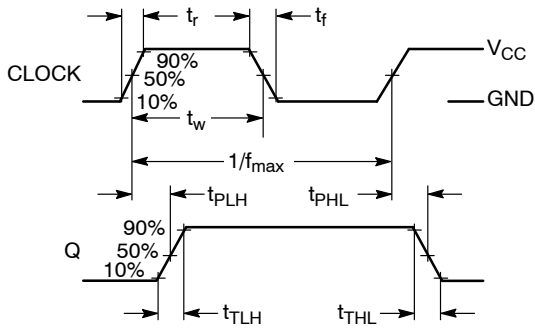


Figure 3.

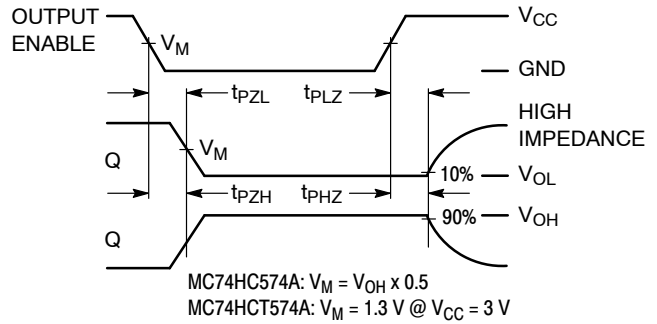


Figure 4.

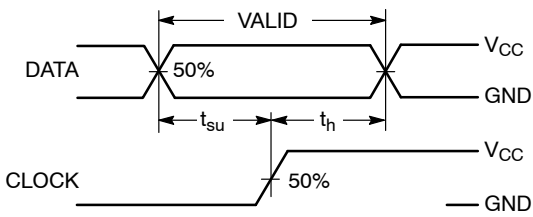
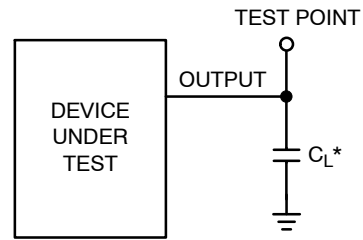
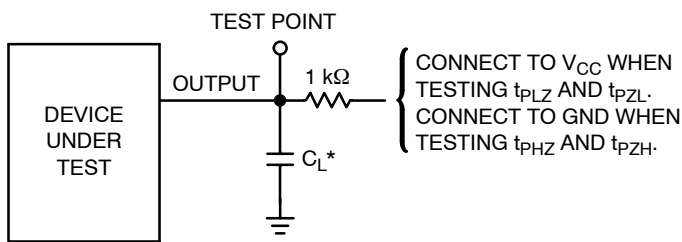


Figure 5.



\*Includes all probe and jig capacitance.

Figure 6.



\*Includes all probe and jig capacitance.

Figure 7. Test Circuit

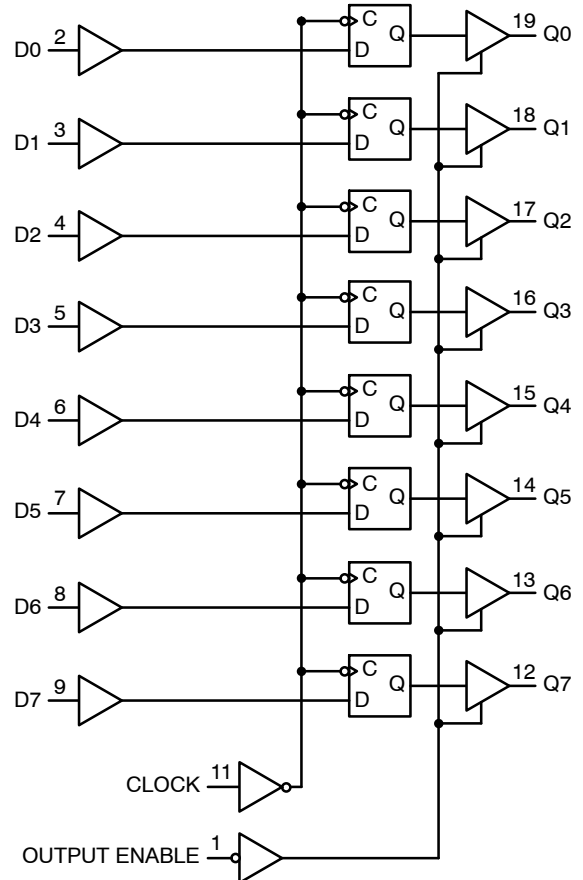


Figure 8. Expanded Logic Diagram

# MC74HC574A

## PACKAGE DIMENSIONS

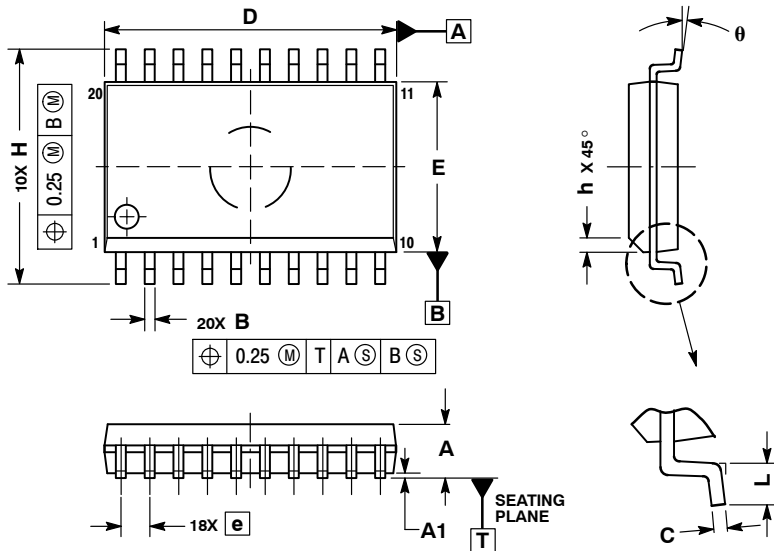
PDIP-20  
N SUFFIX  
CASE 738-03  
ISSUE E



- NOTES:
1. DIMENSIONING AND TOLERANCING PER ANSI Y14.5M, 1982.
  2. CONTROLLING DIMENSION: INCH.
  3. DIMENSION L TO CENTER OF LEAD WHEN FORMED PARALLEL.
  4. DIMENSION B DOES NOT INCLUDE MOLD FLASH.

| DIM | INCHES    |       | MILLIMETERS |       |
|-----|-----------|-------|-------------|-------|
|     | MIN       | MAX   | MIN         | MAX   |
| A   | 1.010     | 1.070 | 25.66       | 27.17 |
| B   | 0.240     | 0.260 | 6.10        | 6.60  |
| C   | 0.150     | 0.180 | 3.81        | 4.57  |
| D   | 0.015     | 0.022 | 0.39        | 0.55  |
| E   | 0.050 BSC |       | 1.27 BSC    |       |
| F   | 0.050     | 0.070 | 1.27        | 1.77  |
| G   | 0.100 BSC |       | 2.54 BSC    |       |
| J   | 0.008     | 0.015 | 0.21        | 0.38  |
| K   | 0.110     | 0.140 | 2.80        | 3.55  |
| L   | 0.300 BSC |       | 7.62 BSC    |       |
| M   | 0°        | 15°   | 0°          | 15°   |
| N   | 0.020     | 0.040 | 0.51        | 1.01  |

SOIC-20  
DW SUFFIX  
CASE 751D-05  
ISSUE G



- NOTES:
1. DIMENSIONS ARE IN MILLIMETERS.
  2. INTERPRET DIMENSIONS AND TOLERANCES PER ASME Y14.5M, 1994.
  3. DIMENSIONS D AND E DO NOT INCLUDE MOLD PROTRUSION.
  4. MAXIMUM MOLD PROTRUSION 0.15 PER SIDE.
  5. DIMENSION B DOES NOT INCLUDE DAMBAR PROTRUSION. ALLOWABLE PROTRUSION SHALL BE 0.13 TOTAL IN EXCESS OF B DIMENSION AT MAXIMUM MATERIAL CONDITION.

| DIM   | MILLIMETERS |       |
|-------|-------------|-------|
|       | MIN         | MAX   |
| A     | 2.35        | 2.65  |
| A1    | 0.10        | 0.25  |
| B     | 0.35        | 0.49  |
| C     | 0.23        | 0.32  |
| D     | 12.65       | 12.95 |
| E     | 7.40        | 7.60  |
| e     | 1.27 BSC    |       |
| H     | 10.05       | 10.55 |
| h     | 0.25        | 0.75  |
| L     | 0.50        | 0.90  |
| theta | 0°          | 7°    |

# MC74HC574A

## PACKAGE DIMENSIONS

TSSOP-20  
DT SUFFIX  
CASE 948E-02  
ISSUE C

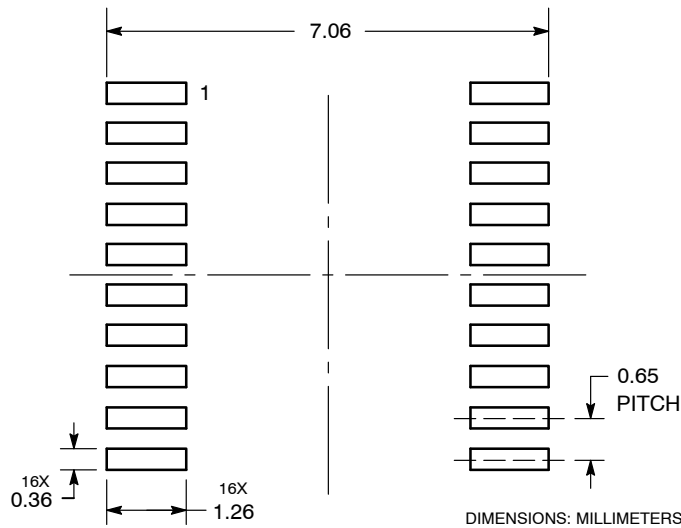


NOTES:

1. DIMENSIONING AND TOLERANCING PER ANSI Y14.5M, 1982.
2. CONTROLLING DIMENSION: MILLIMETER.
3. DIMENSION A DOES NOT INCLUDE MOLD FLASH, PROTRUSIONS OR GATE BURRS. MOLD FLASH OR GATE BURRS SHALL NOT EXCEED 0.15 (0.006) PER SIDE.
4. DIMENSION B DOES NOT INCLUDE INTERLEAD FLASH OR PROTRUSION. INTERLEAD FLASH OR PROTRUSION SHALL NOT EXCEED 0.25 (0.010) PER SIDE.
5. DIMENSION K DOES NOT INCLUDE DAMBAR PROTRUSION. ALLOWABLE DAMBAR PROTRUSION SHALL BE 0.08 (0.003) TOTAL IN EXCESS OF THE K DIMENSION AT MAXIMUM MATERIAL CONDITION.
6. TERMINAL NUMBERS ARE SHOWN FOR REFERENCE ONLY.
7. DIMENSION A AND B ARE TO BE DETERMINED AT DATUM PLANE -W-.

| DIM | MILLIMETERS |      | INCHES    |       |
|-----|-------------|------|-----------|-------|
|     | MIN         | MAX  | MIN       | MAX   |
| A   | 6.40        | 6.60 | 0.252     | 0.260 |
| B   | 4.30        | 4.50 | 0.169     | 0.177 |
| C   | ---         | 1.20 | ---       | 0.047 |
| D   | 0.05        | 0.15 | 0.002     | 0.006 |
| F   | 0.50        | 0.75 | 0.020     | 0.030 |
| G   | 0.65 BSC    |      | 0.026 BSC |       |
| H   | 0.27        | 0.37 | 0.011     | 0.015 |
| J   | 0.09        | 0.20 | 0.004     | 0.008 |
| J1  | 0.09        | 0.16 | 0.004     | 0.006 |
| K   | 0.19        | 0.30 | 0.007     | 0.012 |
| K1  | 0.19        | 0.25 | 0.007     | 0.010 |
| L   | 6.40 BSC    |      | 0.252 BSC |       |
| M   | 0°          | 8°   | 0°        | 8°    |

### SOLDERING FOOTPRINT

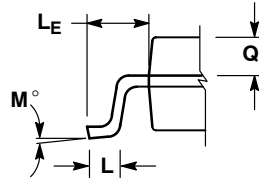
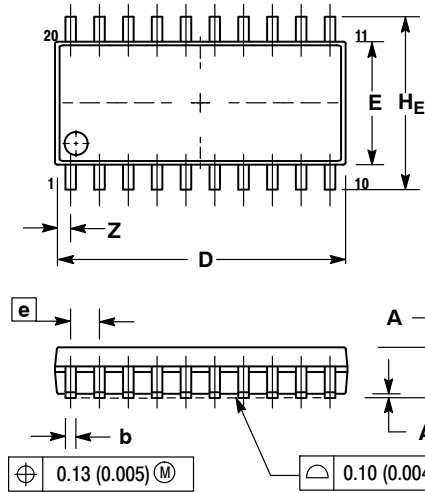




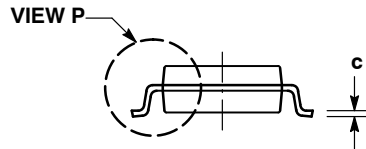
# MC74HC574A

## PACKAGE DIMENSIONS

SOEIAJ-20  
F SUFFIX  
CASE 967-01  
ISSUE A



DETAIL P



NOTES:

1. DIMENSIONING AND TOLERANCING PER ANSI Y14.5M, 1982.
2. CONTROLLING DIMENSION: MILLIMETER.
3. DIMENSIONS D AND E DO NOT INCLUDE MOLD FLASH OR PROTRUSIONS AND ARE MEASURED AT THE PARTING LINE. MOLD FLASH OR PROTRUSIONS SHALL NOT EXCEED 0.15 (0.006) PER SIDE.
4. TERMINAL NUMBERS ARE SHOWN FOR REFERENCE ONLY.
5. THE LEAD WIDTH DIMENSION (b) DOES NOT INCLUDE DAMBAR PROTRUSION. ALLOWABLE DAMBAR PROTRUSION SHALL BE 0.08 (0.003) TOTAL IN EXCESS OF THE LEAD WIDTH DIMENSION AT MAXIMUM MATERIAL CONDITION. DAMBAR CANNOT BE LOCATED ON THE LOWER RADIUS OR THE FOOT. MINIMUM SPACE BETWEEN PROTRUSIONS AND ADJACENT LEAD TO BE 0.46 (0.018).

| DIM            | MILLIMETERS |       | INCHES    |       |
|----------------|-------------|-------|-----------|-------|
|                | MIN         | MAX   | MIN       | MAX   |
| A              | ---         | 2.05  | ---       | 0.081 |
| A <sub>1</sub> | 0.05        | 0.20  | 0.002     | 0.008 |
| b              | 0.35        | 0.50  | 0.014     | 0.020 |
| c              | 0.15        | 0.25  | 0.006     | 0.010 |
| D              | 12.35       | 12.80 | 0.486     | 0.504 |
| E              | 5.10        | 5.45  | 0.201     | 0.215 |
| e              | 1.27 BSC    |       | 0.050 BSC |       |
| HE             | 7.40        | 8.20  | 0.291     | 0.323 |
| L              | 0.50        | 0.85  | 0.020     | 0.033 |
| LE             | 1.10        | 1.50  | 0.043     | 0.059 |
| M              | 0°          | 10°   | 0°        | 10°   |
| Q <sub>1</sub> | 0.70        | 0.90  | 0.028     | 0.035 |
| Z              | ---         | 0.81  | ---       | 0.032 |

ON Semiconductor and are registered trademarks of Semiconductor Components Industries, LLC (SCILLC). SCILLC reserves the right to make changes without further notice to any products herein. SCILLC makes no warranty, representation or guarantee regarding the suitability of its products for any particular purpose, nor does SCILLC assume any liability arising out of the application or use of any product or circuit, and specifically disclaims any and all liability, including without limitation special, consequential or incidental damages. "Typical" parameters which may be provided in SCILLC data sheets and/or specifications can and do vary in different applications and actual performance may vary over time. All operating parameters, including "Typicals" must be validated for each customer application by customer's technical experts. SCILLC does not convey any license under its patent rights nor the rights of others. SCILLC products are not designed, intended, or authorized for use as components in systems intended for surgical implant into the body, or other applications intended to support or sustain life, or for any other application in which the failure of the SCILLC product could create a situation where personal injury or death may occur. Should Buyer purchase or use SCILLC products for any such unintended or unauthorized application, Buyer shall indemnify and hold SCILLC and its officers, employees, subsidiaries, affiliates, and distributors harmless against all claims, costs, damages, and expenses, and reasonable attorney fees arising out of, directly or indirectly, any claim of personal injury or death associated with such unintended or unauthorized use, even if such claim alleges that SCILLC was negligent regarding the design or manufacture of the part. SCILLC is an Equal Opportunity/Affirmative Action Employer. This literature is subject to all applicable copyright laws and is not for resale in any manner.

### PUBLICATION ORDERING INFORMATION

**LITERATURE FULFILLMENT:**  
Literature Distribution Center for ON Semiconductor  
P.O. Box 5163, Denver, Colorado 80217 USA  
**Phone:** 303-675-2175 or 800-344-3860 Toll Free USA/Canada  
**Fax:** 303-675-2176 or 800-344-3867 Toll Free USA/Canada  
**Email:** orderlit@onsemi.com

**N. American Technical Support:** 800-282-9855 Toll Free USA/Canada  
**Europe, Middle East and Africa Technical Support:**  
Phone: 421 33 790 2910  
**Japan Customer Focus Center**  
Phone: 81-3-5773-3850

**ON Semiconductor Website:** [www.onsemi.com](http://www.onsemi.com)

**Order Literature:** <http://www.onsemi.com/orderlit>

For additional information, please contact your local Sales Representative