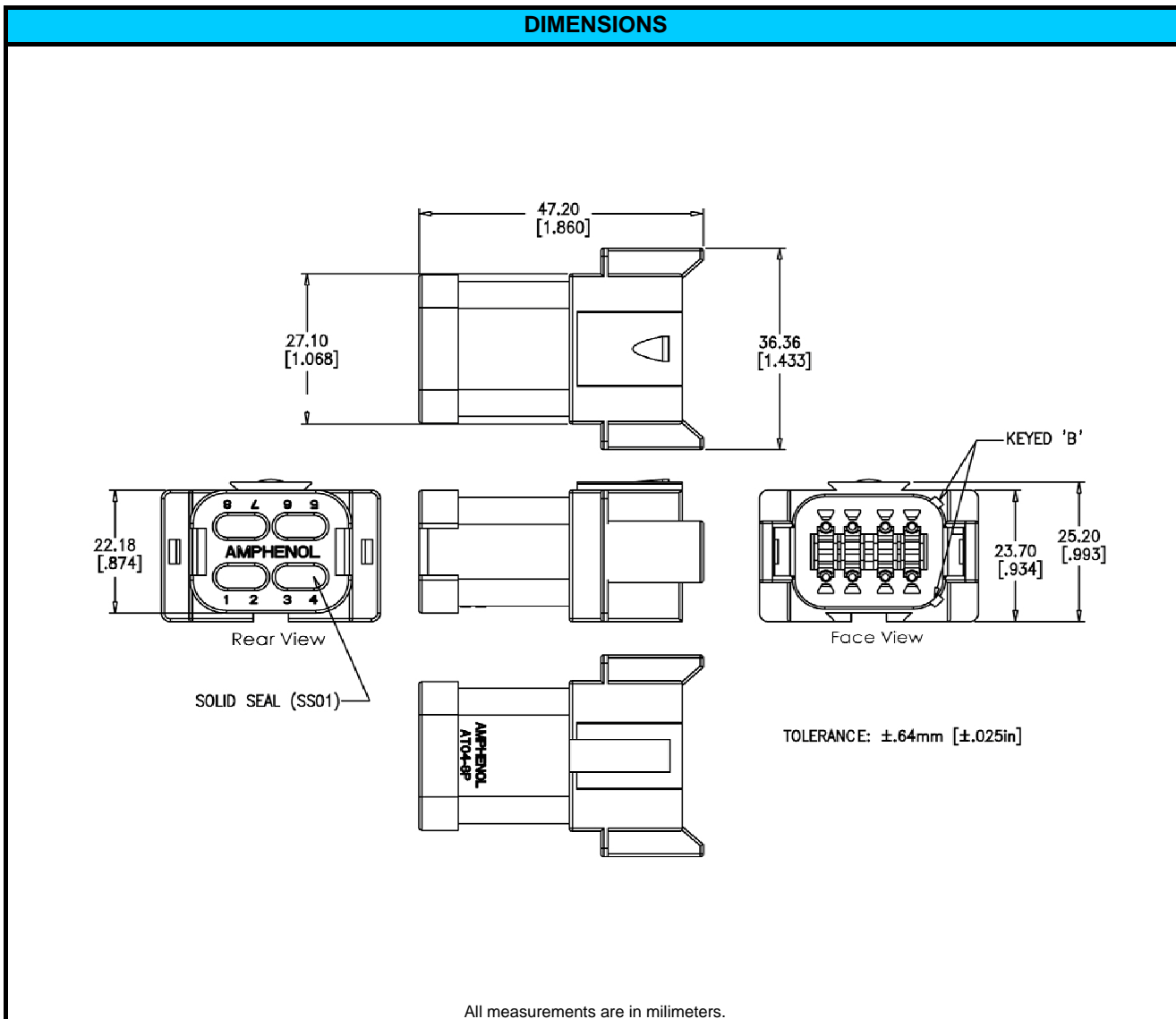


CONFIGURATION	PART NUMBER
Rect, 8 Way, Key B, Solid Rear Seal, End Cap	AT04-08PB-SS01



NOTES:	
CONTACT SIZE	16
WIRE RANGE	NA
HOUSING COLOR	BLACK
MATING CONNECTOR:	AT06-08SB
REV: NC	UNCONTROLLED DOCUMENT
DATE 8-July-2009	INFORMATION SUBJECT TO CHANGE WITHOUT NOTICE

© 2009 Amphenol Sine Systems Corporation. Every effort has been made to ensure that the information contained in this document is accurate at the time of publication. Specifications or information stated in this publication are subject to change without notice.