

DETAILS

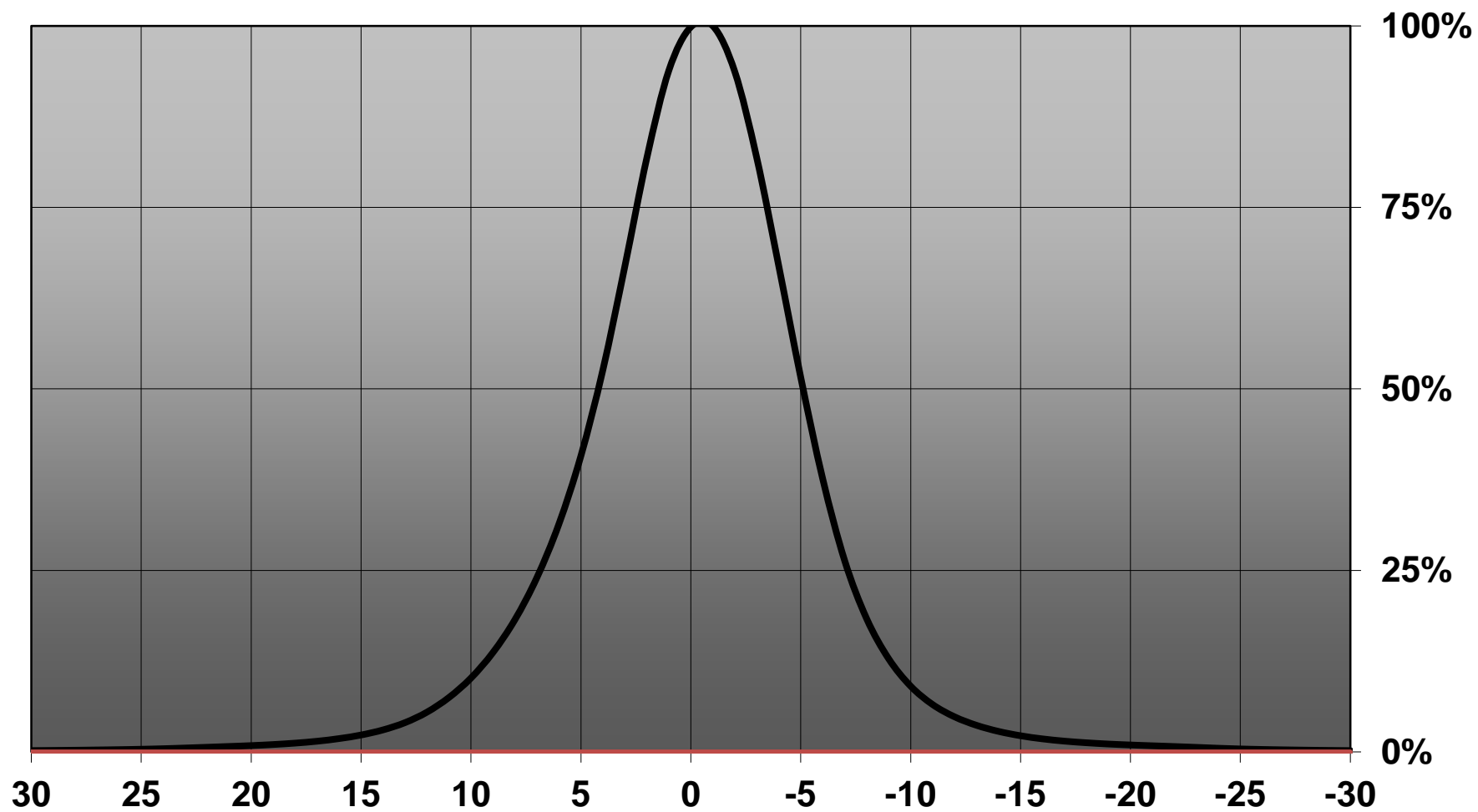
Product Number	CA11482_LXP2-D
Family	Leila
Type	Assembly
Color	black
Diameter	21,6 mm
Height	14,7 mm
Style	round
Optic Material	PMMA
Holder Material	
Fastening	tape
Status	production ready
ROHS Compliant	Yes
Date Updated	10/04/2014

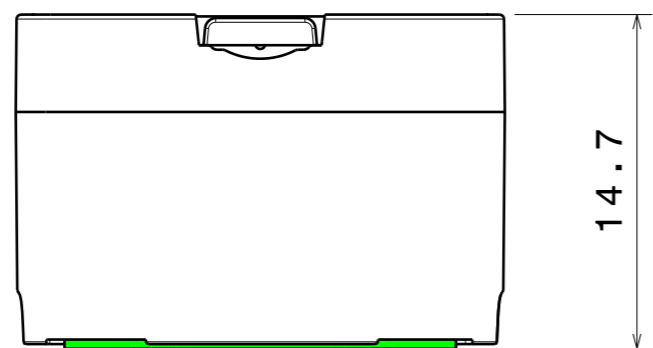


OPTICAL PROPERTIES

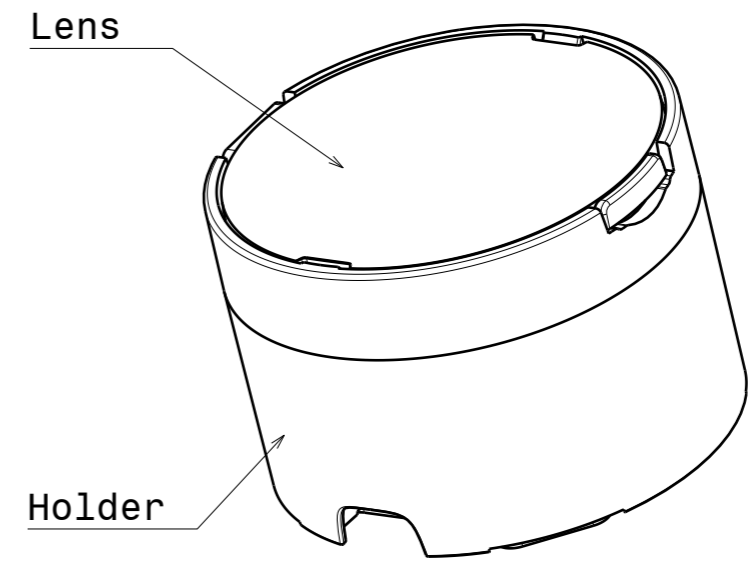
LED	Viewing	Light	Effi-		Connector
	Angle	Beam	ciency	cd/lm	
XT-E	11 deg	Diffuser	88 %	8.950	-
XP-E	14 deg	Diffuser	92 %	-	-
XP-G	16 deg	Diffuser	94 %	-	-
XP-G2	13 deg	Diffuser	90 %	11.000	-
XP-E2	10 deg	Diffuser	89 %	21.400	-
XP-L HI	12 deg	Diffuser	88 %	13.000	-
H35C0 (LEMWA33)	13 deg	Diffuser	91 %	10.800	-
H35B0 (LEMWA32)	11 deg	Diffuser	92 %	15.200	-
H35C1 (LEMWA33)	14 deg	Diffuser	88 %	11.700	-
LUXEON Q	12 deg	Diffuser	89 %	11.500	-
Z5M1/Z5M2	14 deg	Diffuser	88 %	12.100	-
Z8Y22P	sim: 13	Diffuser	sim: 91 %	sim: 10.790	-

Relative intensity of CA11482_LXP2-D-(XPE2)

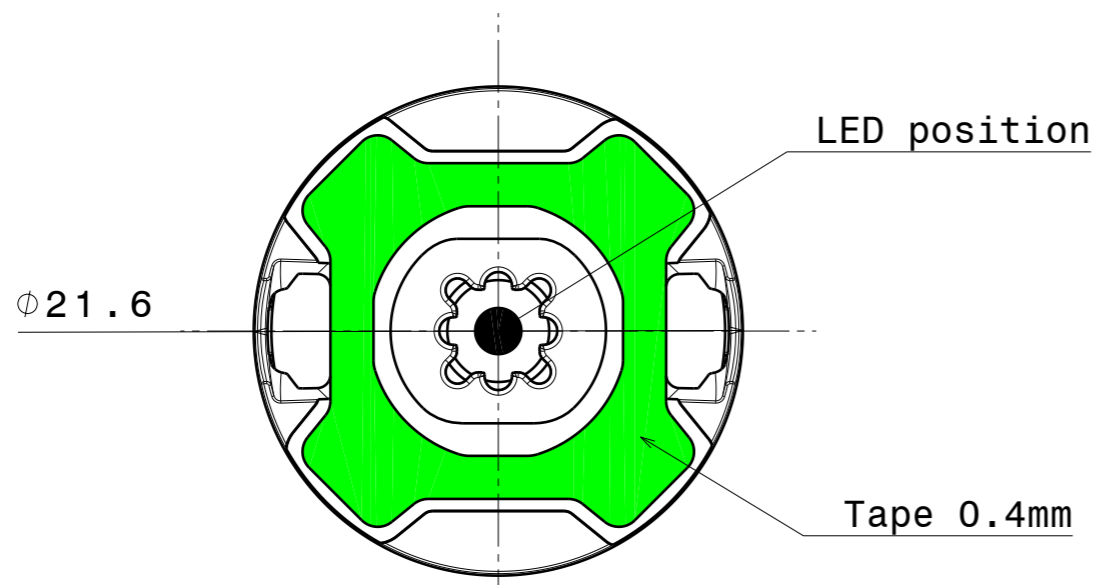




Front view
Scale: 3:1



Isometric view
Scale: 3:1



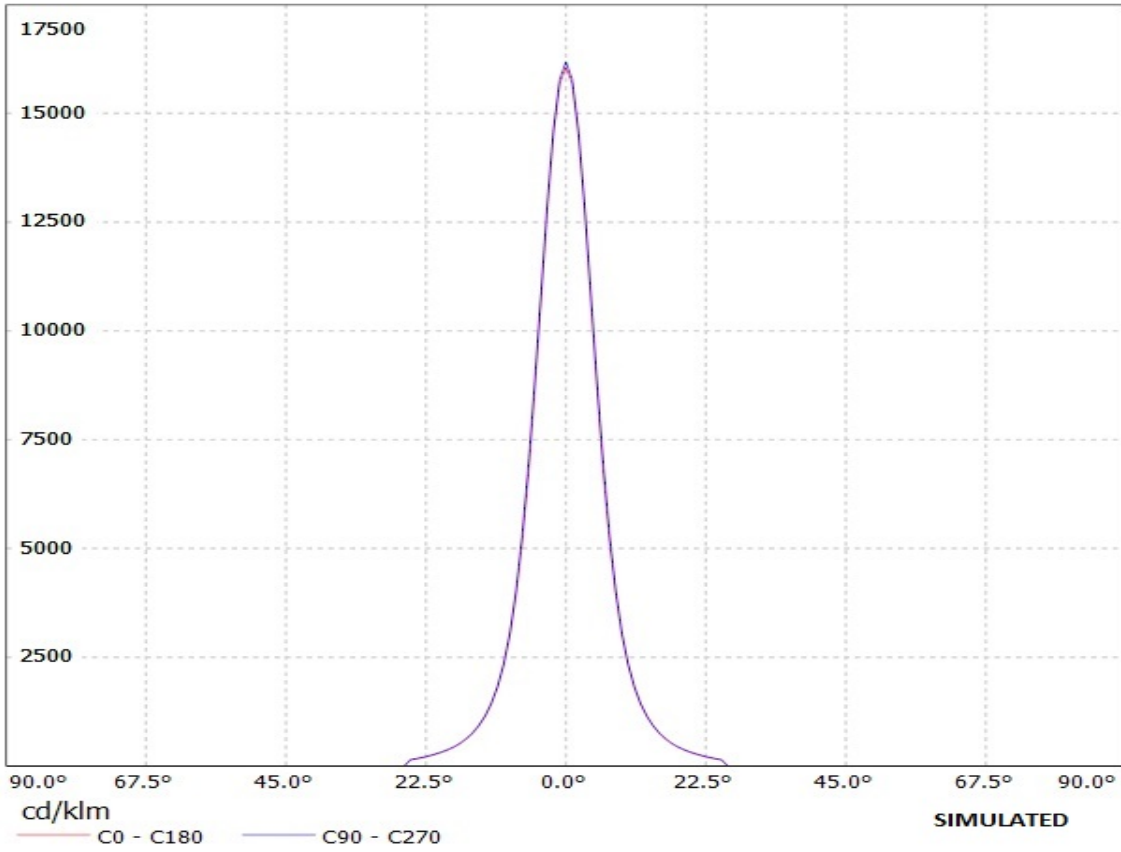
Bottom view
Scale: 3:1

INDEX	DESCRIPTION	MATERIAL	COLOUR
1	Lens	PMMA	
2	Holder	PC	black
3	Tape	PU 2-sided foam tape	adhesive

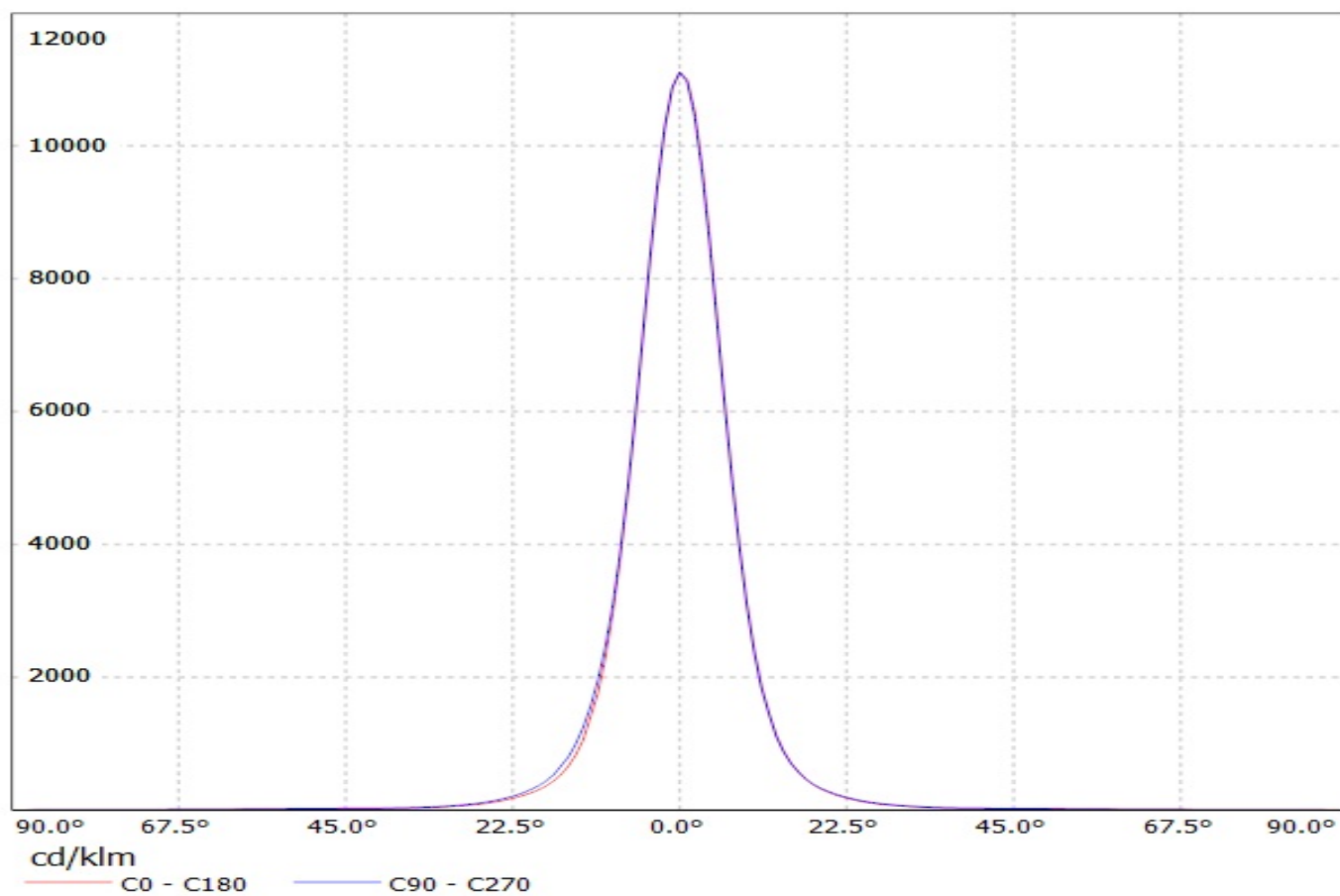
Tolerances if not otherwise shown According to DIN ISO 2768-1 Linear measures: Up to 30mm class M, otherwise class C. According to DIN ISO 2768-2 Form and position: class L		LEDiL LediL Oy Salorankatu 10 FIN 24240 SALO Finland	
THIRD ANGLE PROJECTION:		DRAWING TITLE Datasheet_LXP2-Series	
This drawing is the property of LEDiL Oy. It may not be reproduced, copied or communicated without a written agreement with LEDiL Oy.		SIZE A3	PART NUMBER -
		SCALE 3:1	WEIGHT -
		SHEET 1/1	

Ledil Oy C11411_LXP2-D C11411_LXP2-D / LDC (Linear)

Luminaire: Ledil Oy C11411_LXP2-D C11411_LXP2-D
Lamps: 1 x Cree XP-E (White)



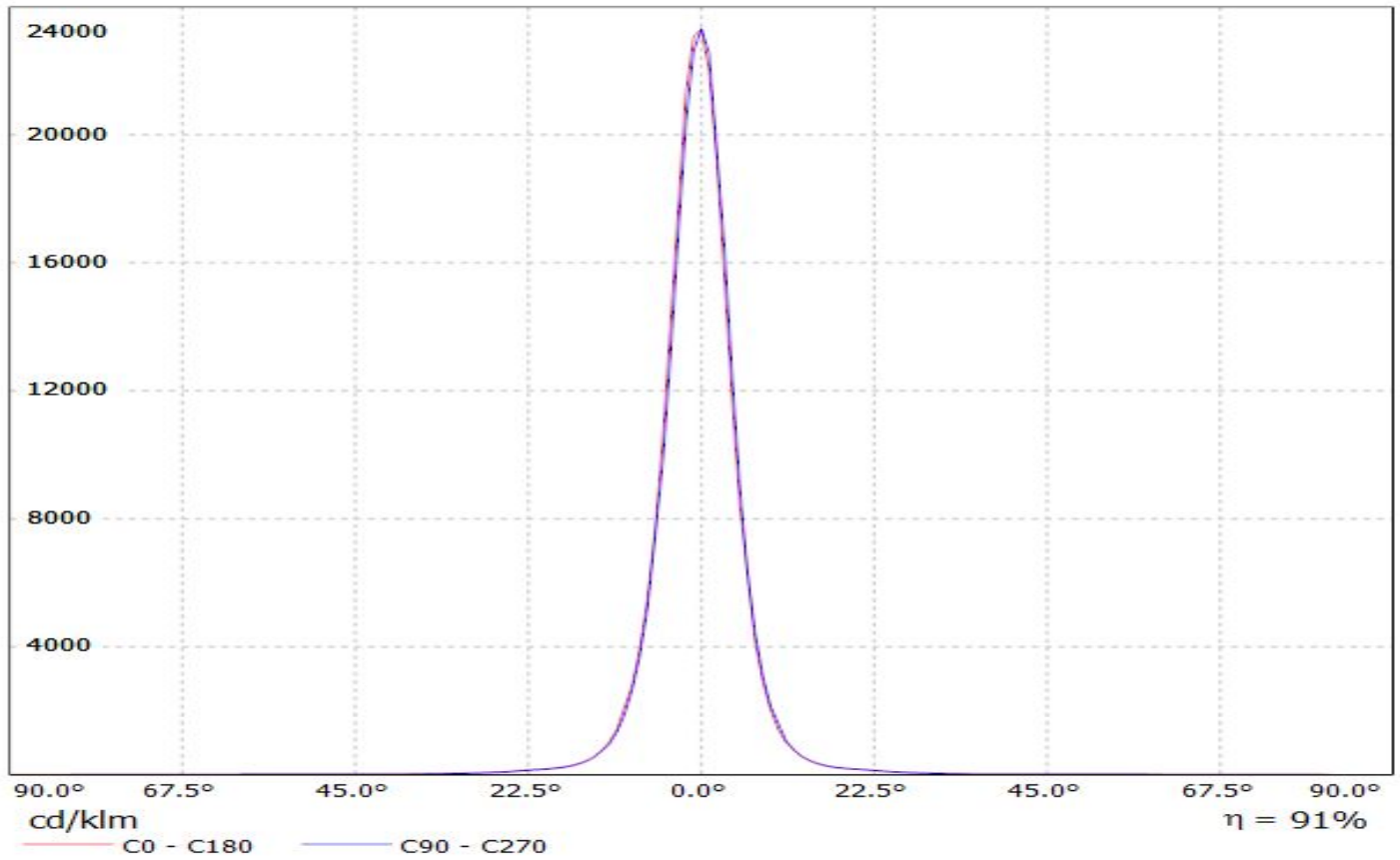
Valaisin: LEDIL OY CA11482_LXP2-D_(XP-G2) Efficiency=90%
Lamput: 1 x Cree XP-G2 (109.1lm @ 250mA)



LEDiL Oy CA11482 LXP2-D_(XP-E2) Eff.89.0% / LDC (Linear)

Luminaire: LEDiL Oy CA11482 LXP2-D_(XP-E2) Eff.89.0%

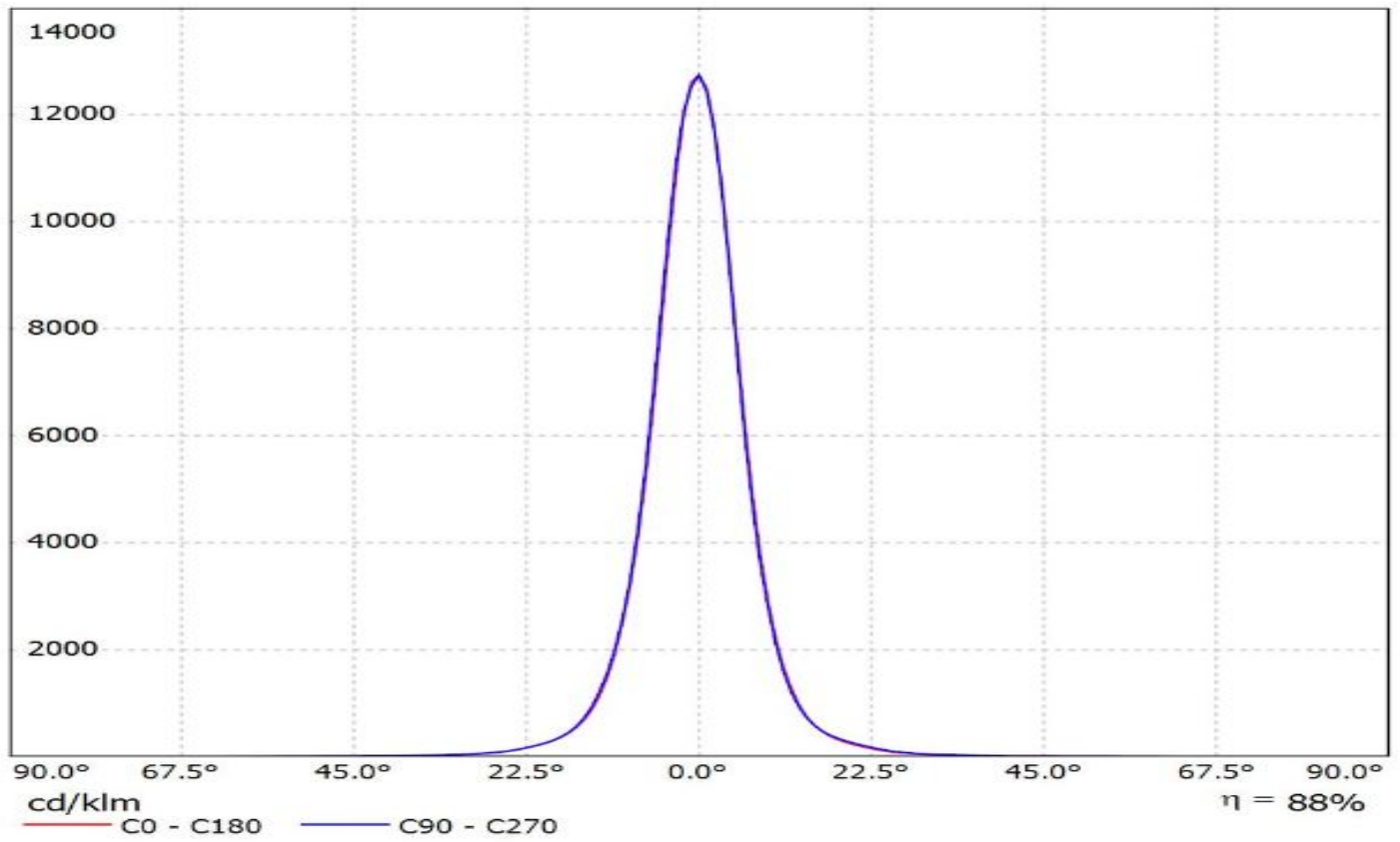
Lamps: 1 x CREE_XP-E2_(XPEBWT-L1-7B4-Q4-0-01)_83.64lm@250mA_P=0.745802W_I=249.9mA



Ledil CA11482_LXP2-D_(XP-L_HI) / LDC (Linear)

Luminaire: Ledil CA11482_LXP2-D_(XP-L_HI)

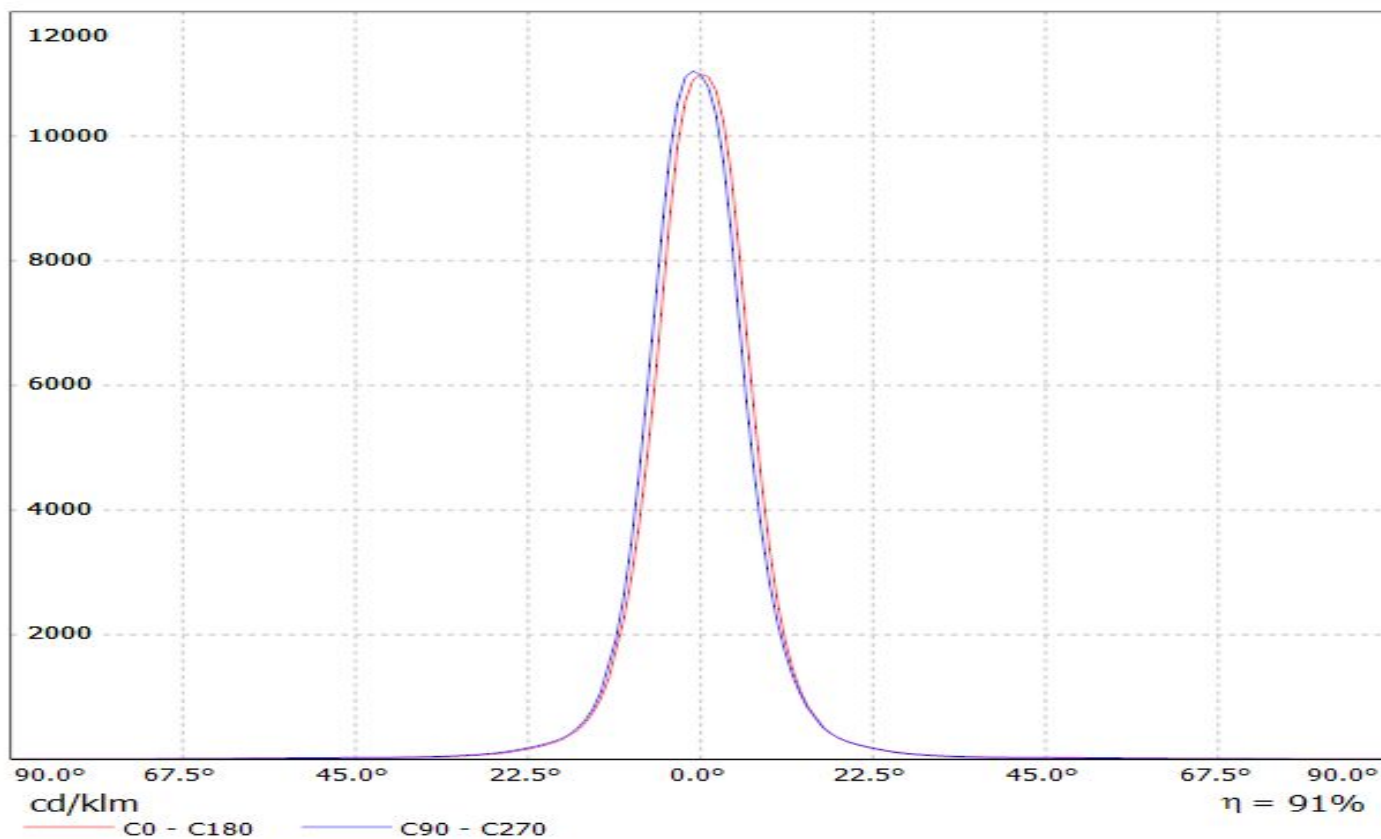
Lamps: 1 x CREE_XP-L_HI_116.971lm@250mA_P=0.75W_I=0.25A



LEDiL Oy CA11482_LXP2-D_(3535_Ceramic)_3 Eff.90.8% / LDC (Linear)

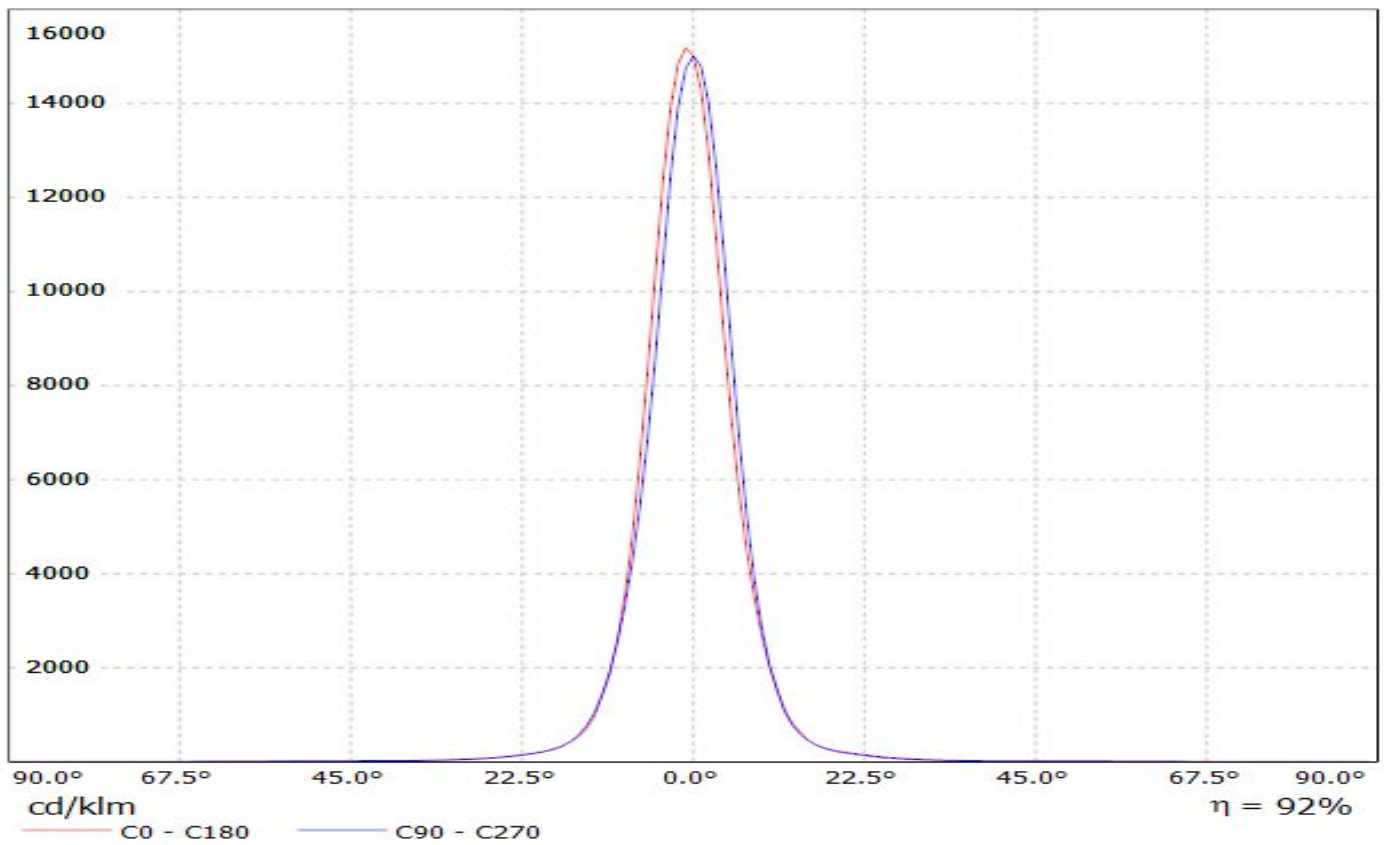
Luminaire: LEDiL Oy CA11482_LXP2-D_(3535_Ceramic)_3 Eff.90.8%

Lamps: 1 x LG 3535 Ceramic (95lm@250mA)

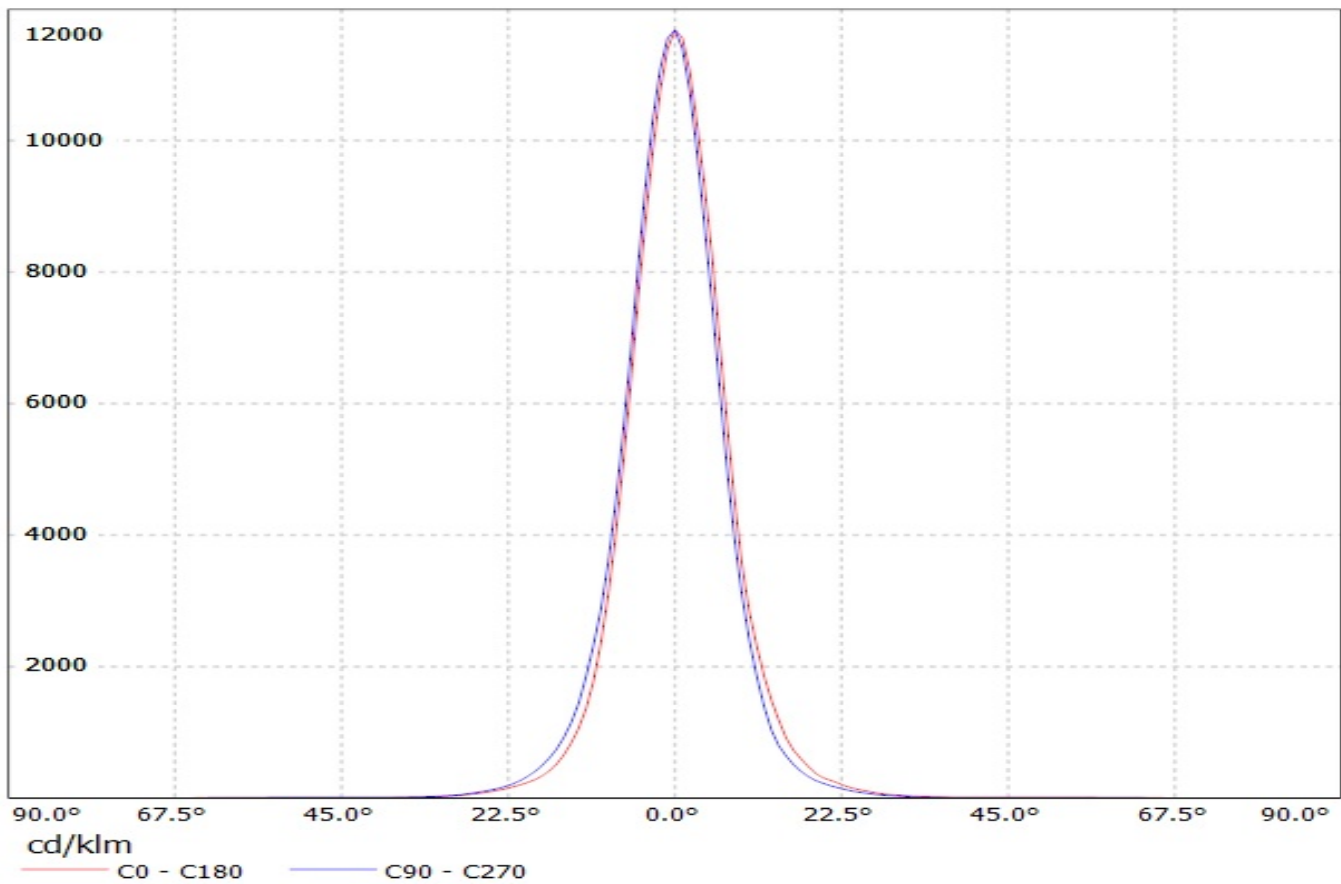


LEDiL Oy CA11482_LXP2-D_(LG3535_2W) Eff.92.4% / LDC (Linear)

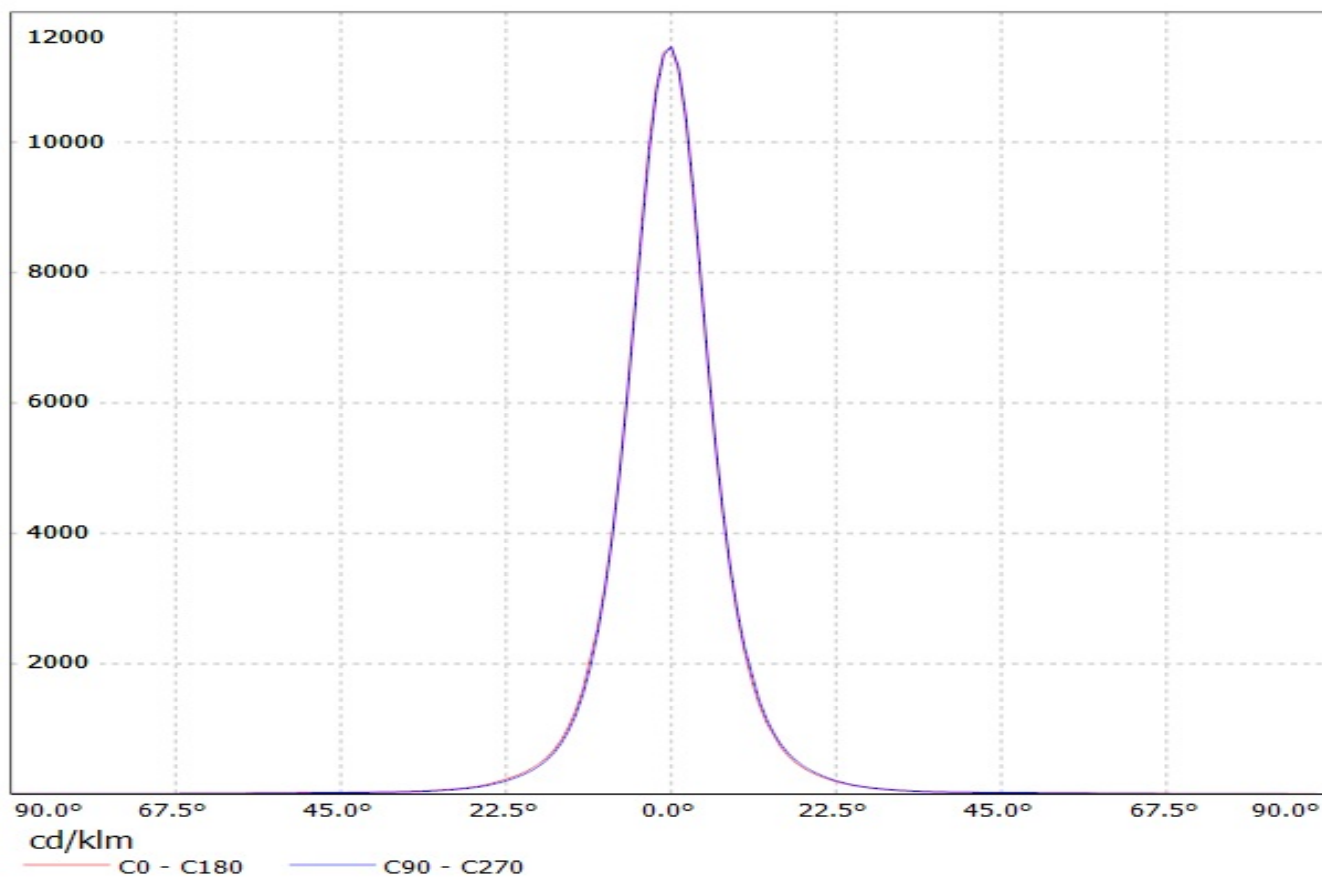
Luminaire: LEDiL Oy CA11482_LXP2-D_(LG3535_2W) Eff.92.4%
Lamps: 1 x LG3535_2W (97.2479lm@250mA)



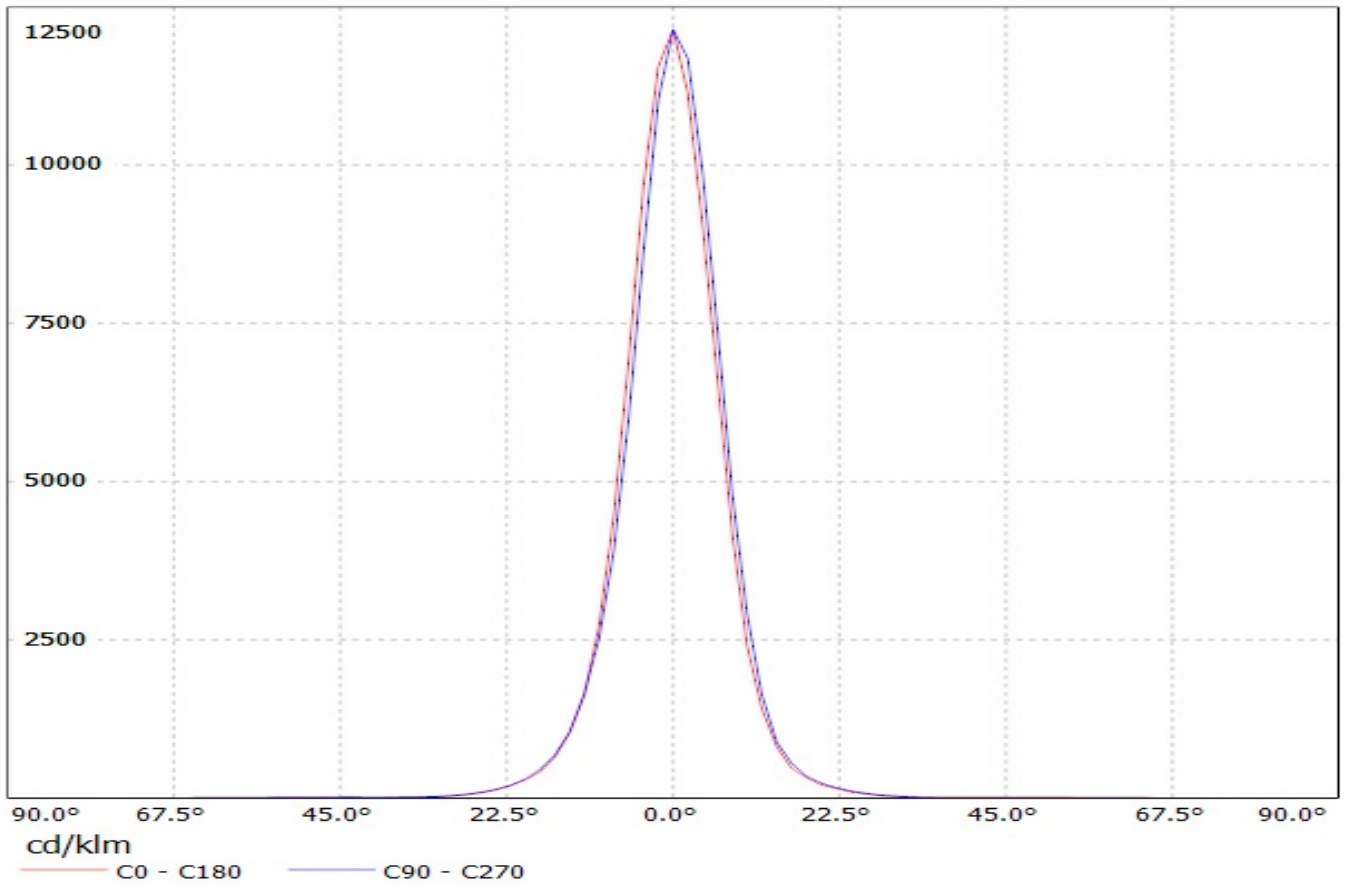
Luminaire: Ledil Oy CA11482_LXP2-D_(3535_Ceramic_gen2) Efficiency=88%
Lamps: 1 x LG 3535 Ceramic gen2 (PKG5700K) 116lm @ 250mA CCT=6200K P=0.7W I=250mA



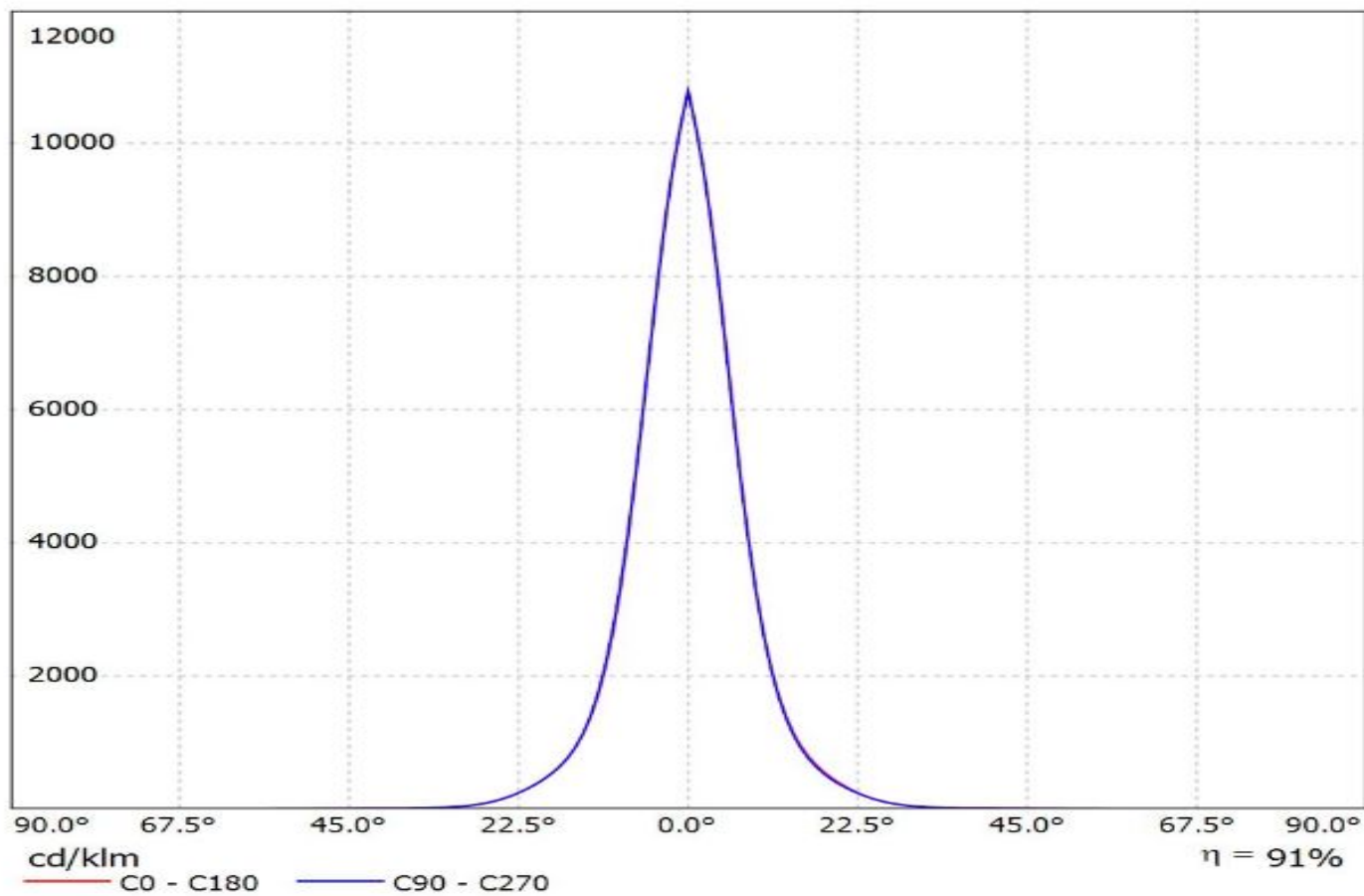
Luminaire: LEDiL Oy CA11482_LXP2-D_(LUXEON_Q) Eff.89.1%
Lamps: 1 x LUXEON_Q_(LHQ-3080)_75.993lm@250mA_P=0.752849W_I=249.9mA



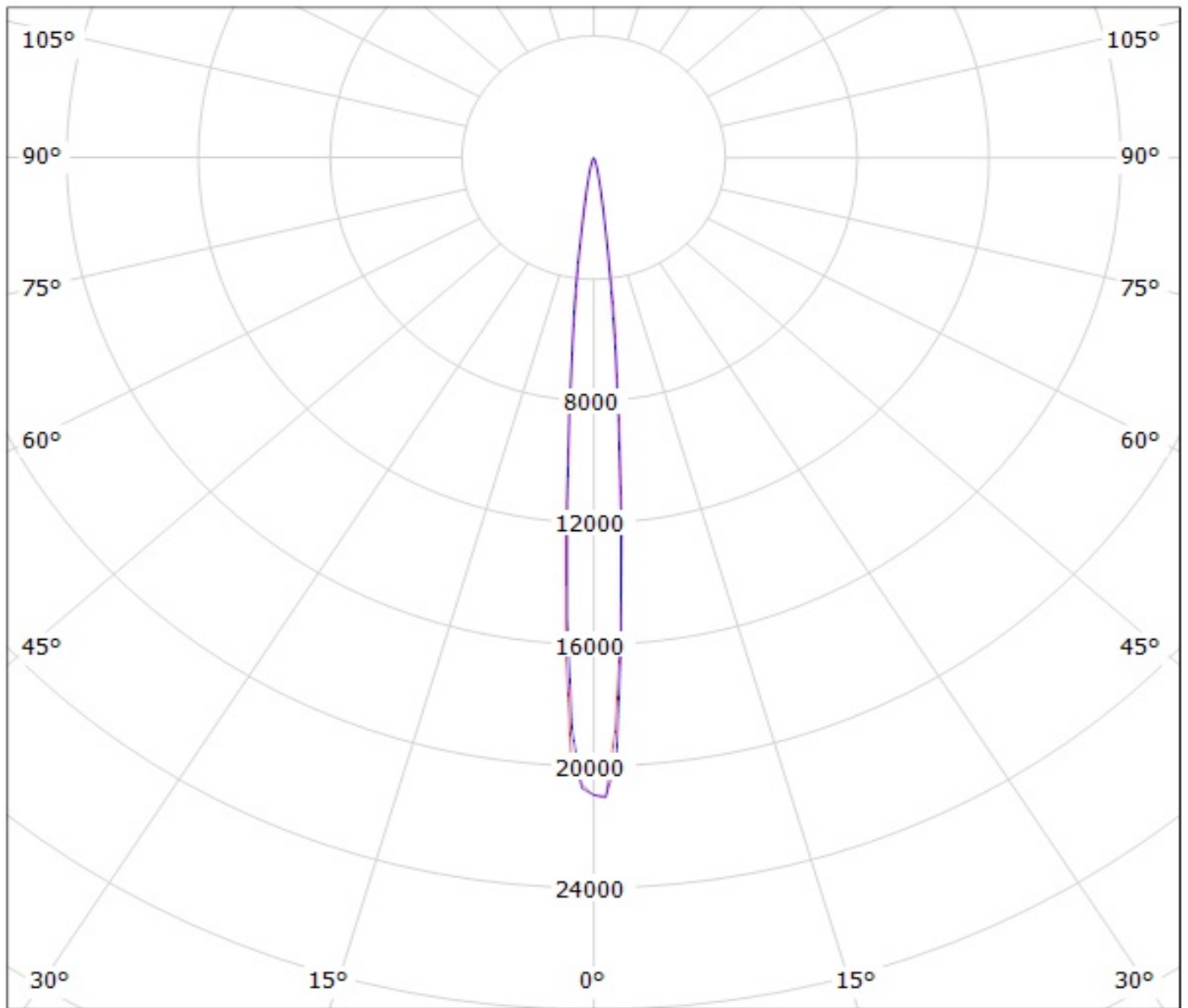
Luminaire: LEDil Oy CA11482_LXP2-D_(Z5M1) Efficiency=88%
Lamps: 1 x Seoul Z5M1 (SZ5M1-W0-C8/W1-A5-G) 108lm @ 250mA CCT=9100K P=0.8W I=250mA



Luminaire: Ledil Oy CA11482_LXP2-D_SEOUL_Z8Y22+_SIMULATED
Lamps: 1 x SEOUL Z8Y22 Plus



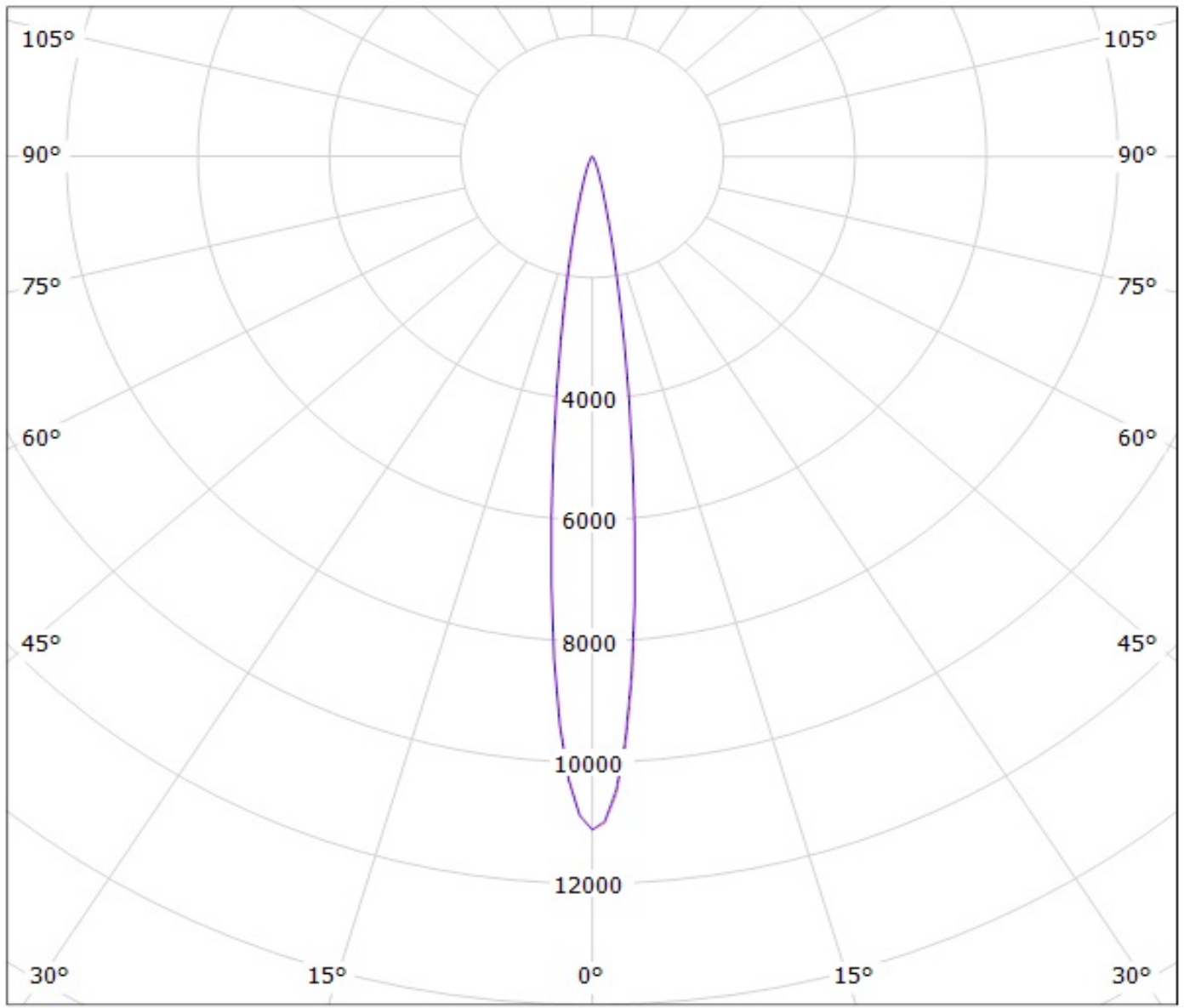
Luminaire: Ledil Oy CA12584_LXB2-RS2 Efficiency=85%
Lamps: 1 x Cree XB-D warm (84lm @ 250mA)



cd/klm

— C0 - C180 — C90 - C270

Valaisin: LEDIL OY CA11482_LXP2-D_(XP-G2) Efficiency=90%
Lamput: 1 x Cree XP-G2 (109.1lm @ 250mA)



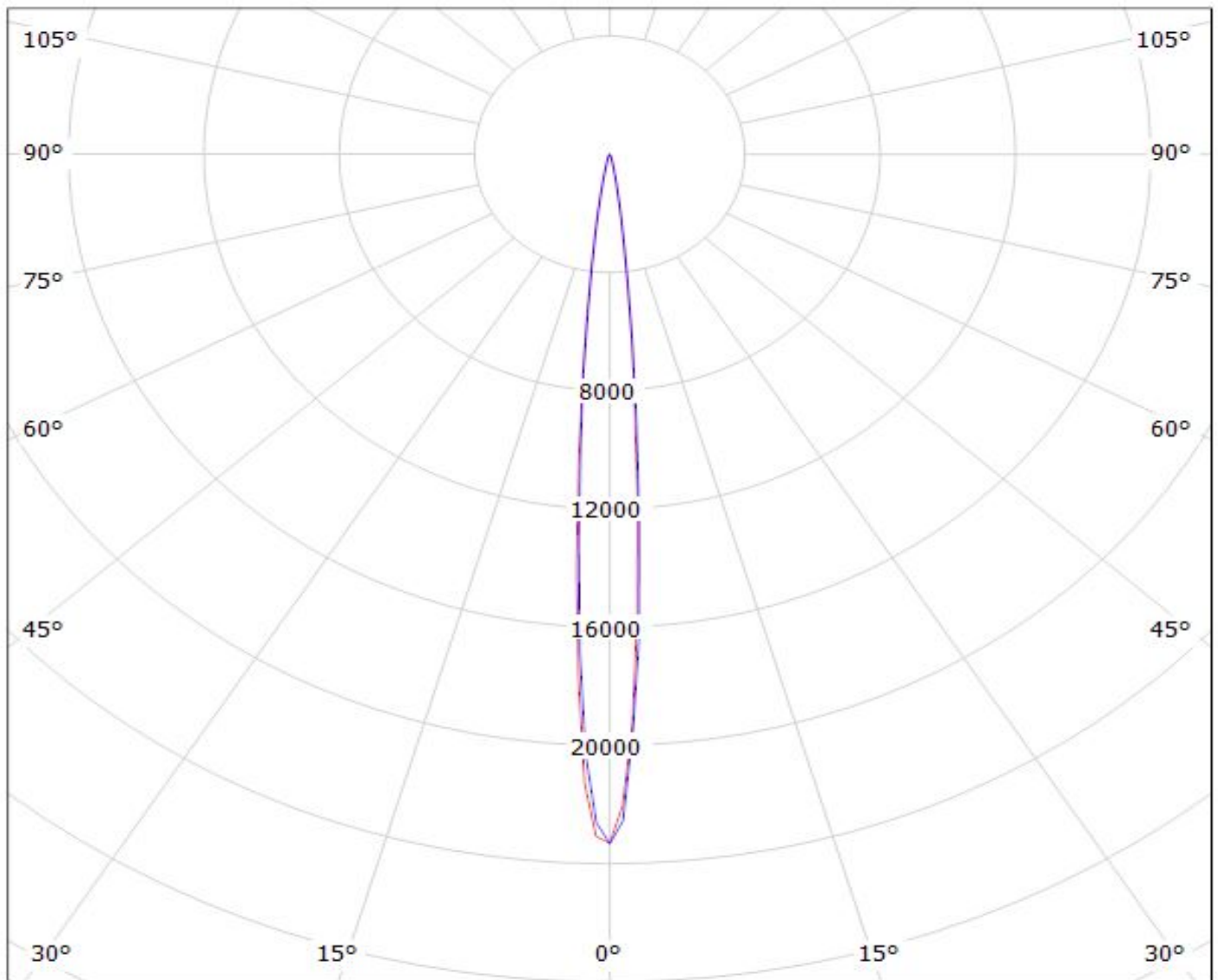
cd/klm

— C0 - C180 — C90 - C270

LEDiL Oy CA11482 LXP2-D_(XP-E2) Eff.89.0% / LDC (Polar)

Luminaire: LEDiL Oy CA11482 LXP2-D_(XP-E2) Eff.89.0%

Lamps: 1 x CREE_XP-E2_(XPEBWT-L1-7B4-Q4-0-01)_83.64lm@250mA_P=0.745802W_I=249.9mA



cd/klm

— C0 - C180

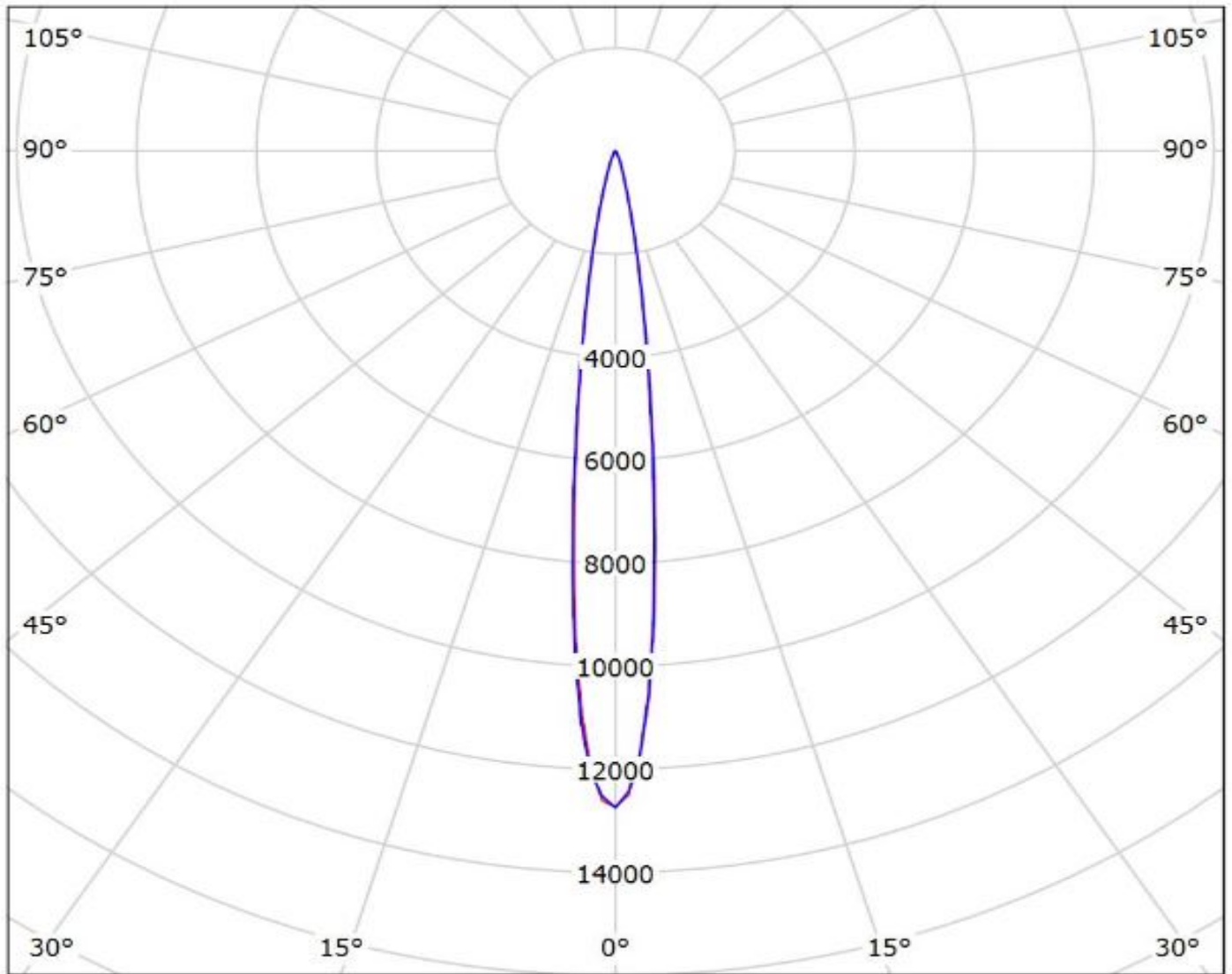
— C90 - C270

$\eta = 91\%$

Ledil CA11482_LXP2-D_(XP-L_HI) / LDC (Polar)

Luminaire: Ledil CA11482_LXP2-D_(XP-L_HI)

Lamps: 1 x CREE_XP-L_HI_116.971lm@250mA_P=0.75W_I=0.25A



cd/klm

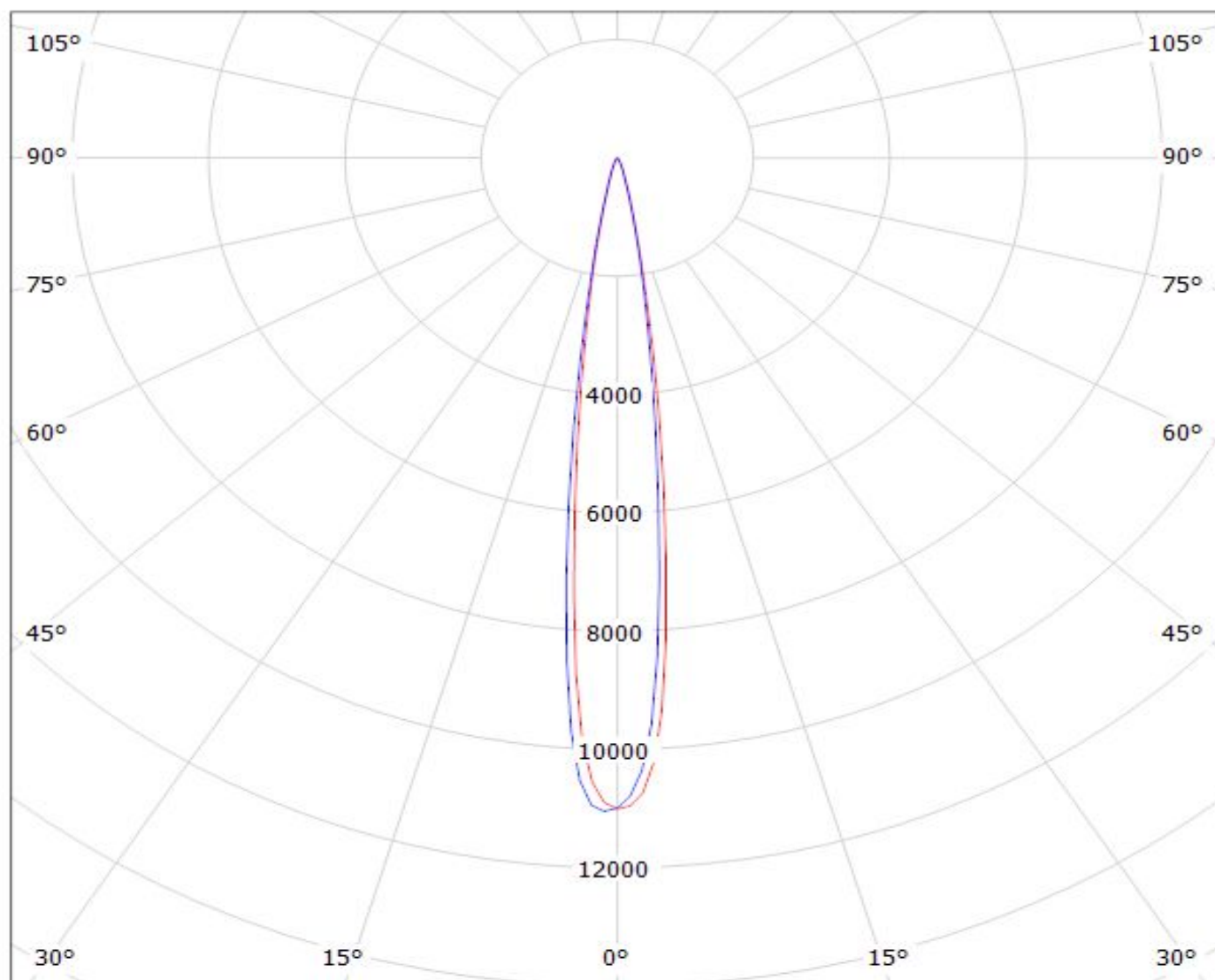
— C0 - C180 — C90 - C270

$\eta = 88\%$

LEDiL Oy CA11482_LXP2-D_(3535_Ceramic)_3 Eff.90.8% / LDC (Polar)

Luminaire: LEDiL Oy CA11482_LXP2-D_(3535_Ceramic)_3 Eff.90.8%

Lamps: 1 x LG 3535 Ceramic (95lm@250mA)



cd/klm

— C0 - C180

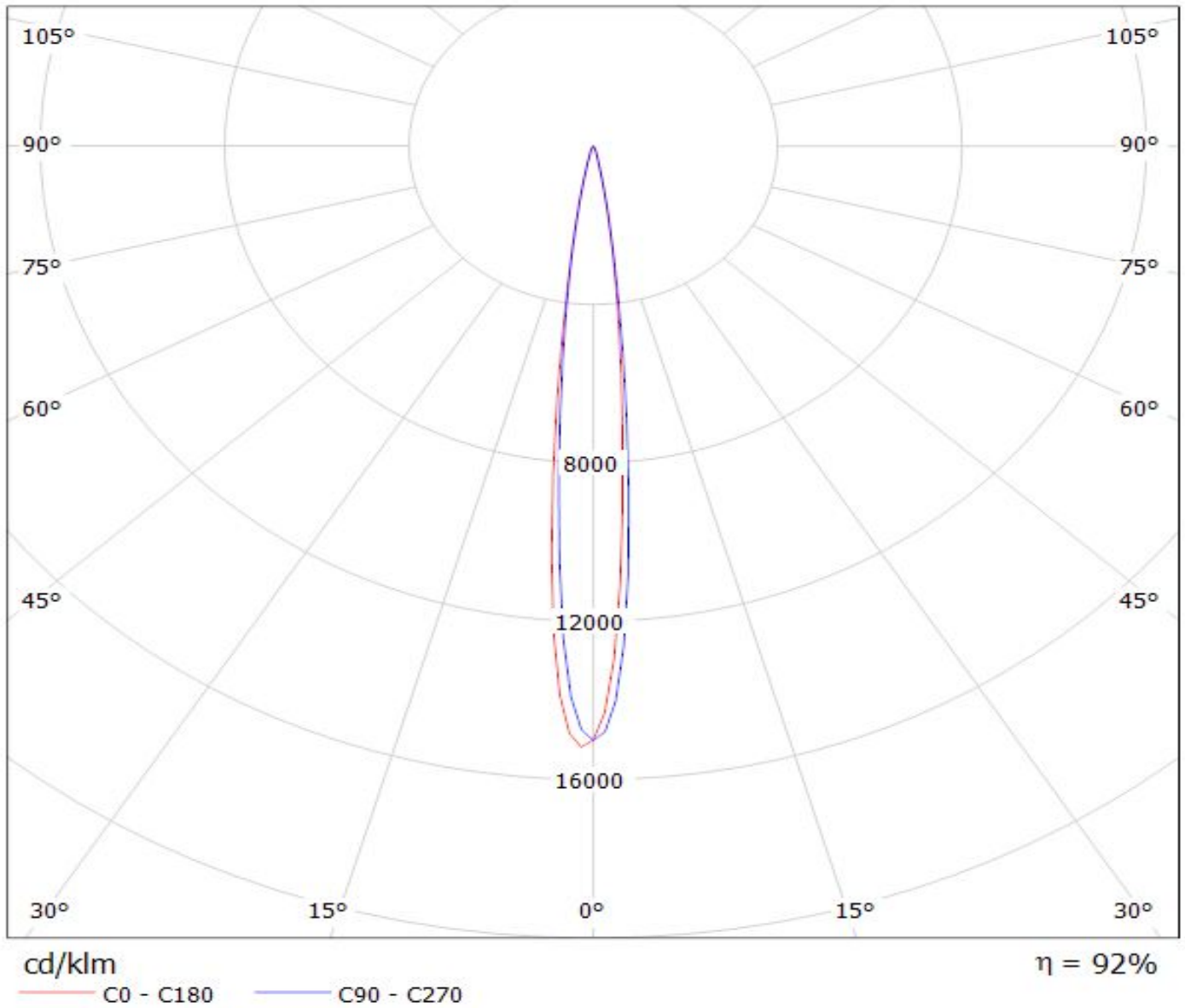
— C90 - C270

$\eta = 91\%$

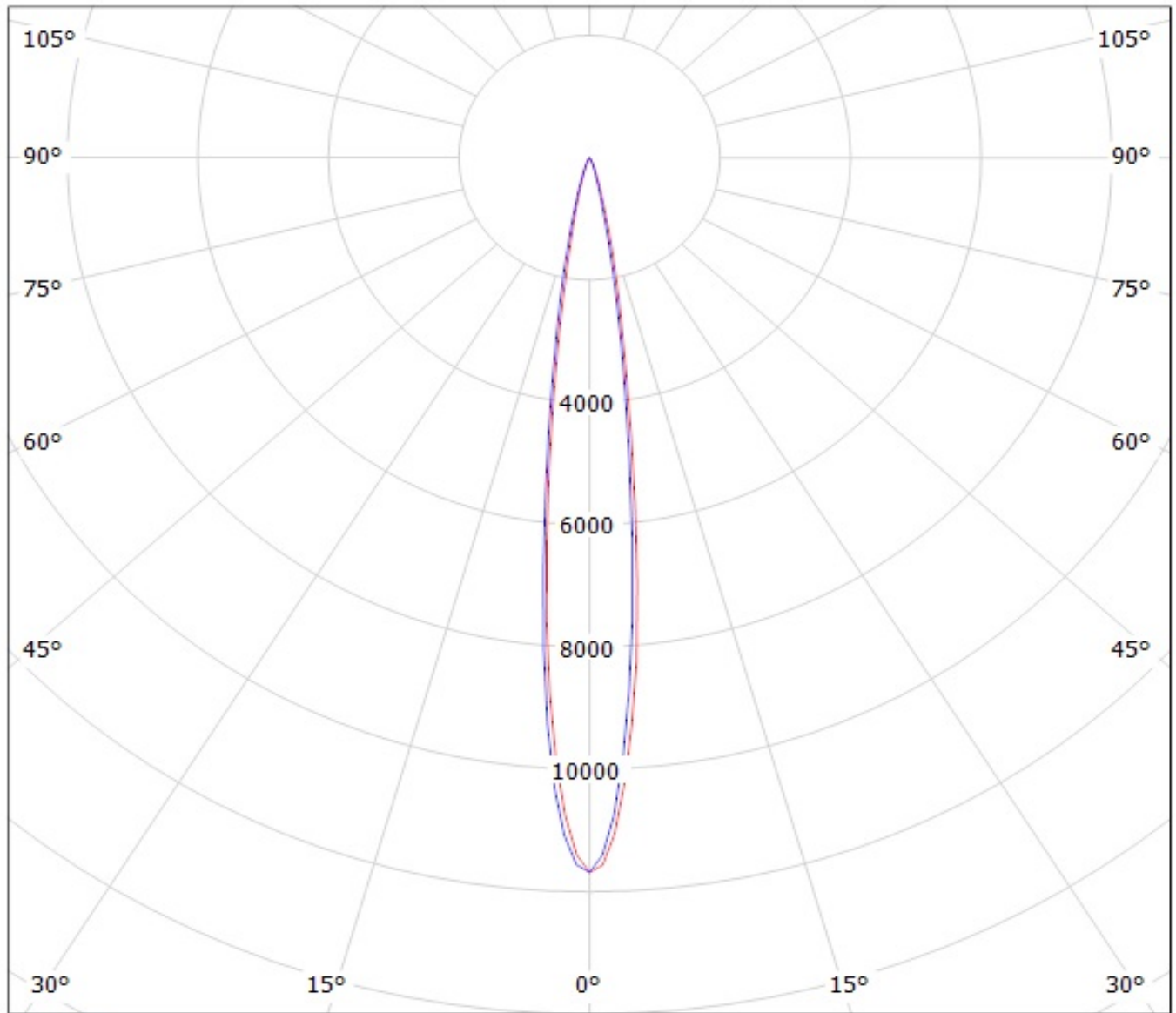
LEDiL Oy CA11482_LXP2-D_(LG3535_2W) Eff.92.4% / LDC (Polar)

Luminaire: LEDiL Oy CA11482_LXP2-D_(LG3535_2W) Eff.92.4%

Lamps: 1 x LG3535_2W (97.2479lm@250mA)

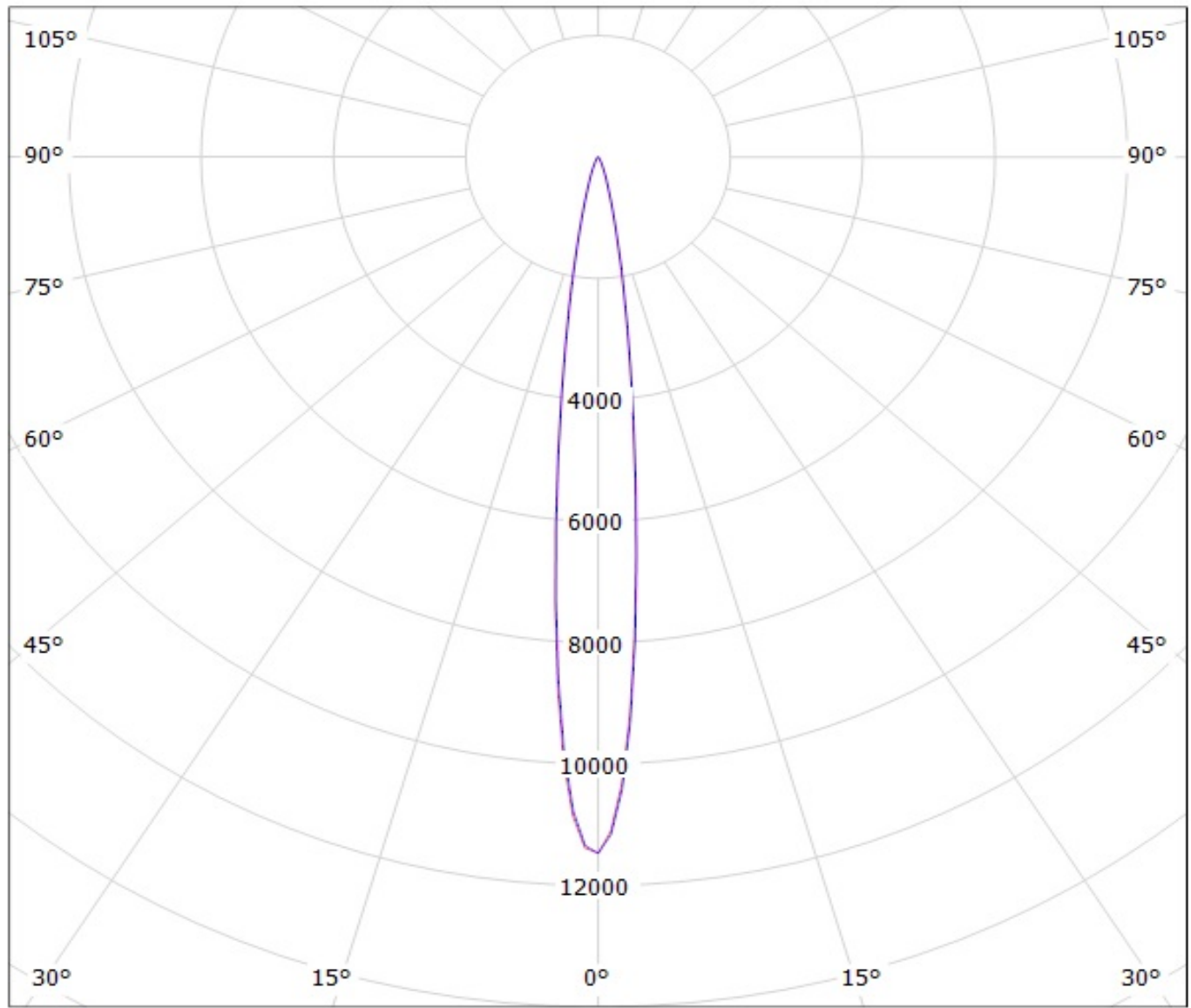


Luminaire: Ledil Oy CA11482_LXP2-D_(3535_Ceramic_gen2) Efficiency=88%
Lamps: 1 x LG 3535 Ceramic gen2 (PKG5700K) 116lm @ 250mA CCT=6200K P=0.7W I=250mA



cd/klm
— C0 - C180 — C90 - C270

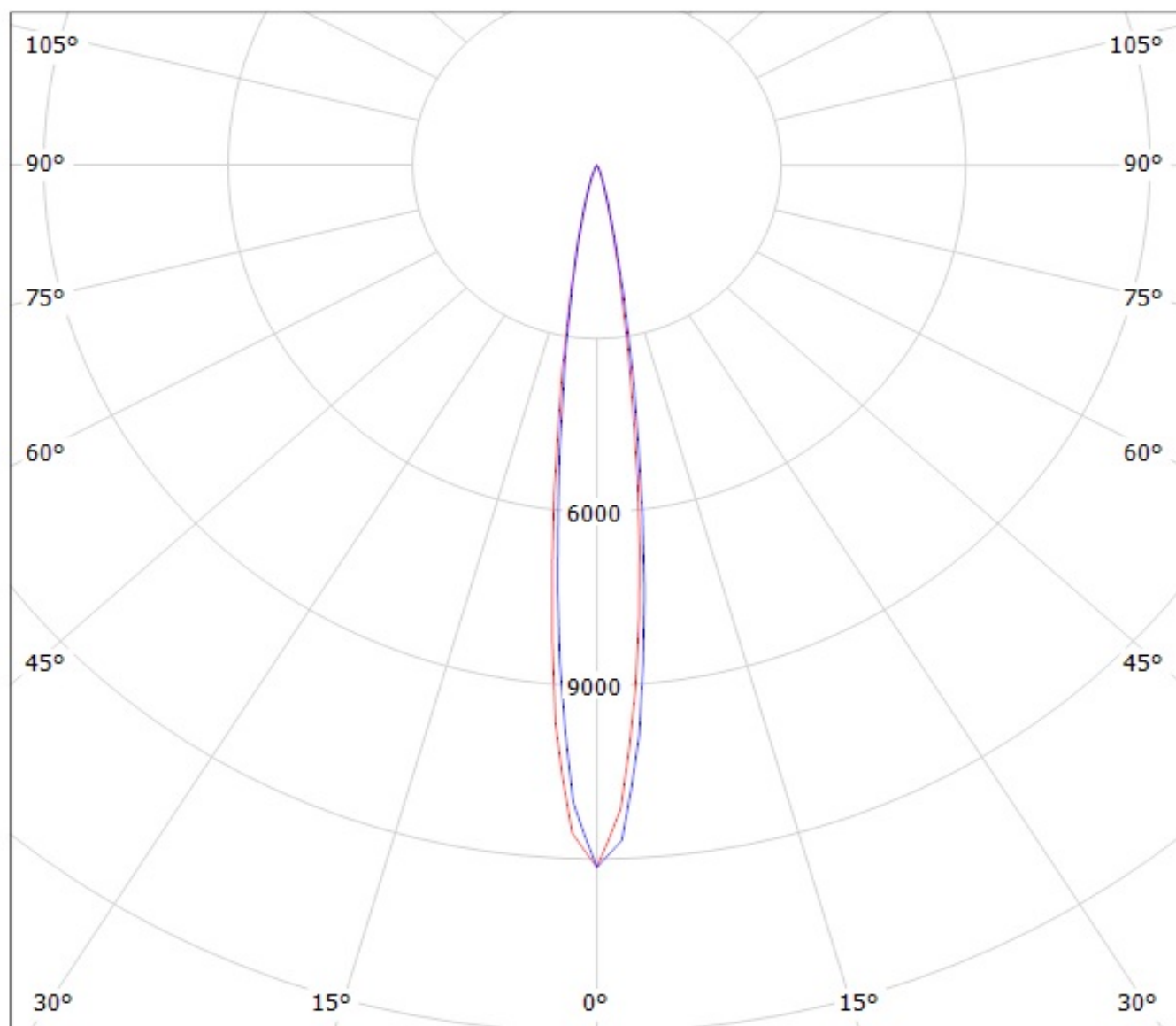
Luminaire: LEDiL Oy CA11482_LXP2-D_(LUXEON_Q) Eff.89.1%
Lamps: 1 x LUXEON_Q_(LHQ-3080)_75.993lm@250mA_P=0.752849W_I=249.9mA



cd/klm
— C0 - C180 — C90 - C270

Luminaire: LEDil Oy CA11482_LXP2-D_(Z5M1) Efficiency=88%

Lamps: 1 x Seoul Z5M1 (SZ5M1-W0-C8/W1-A5-G) 108lm @ 250mA CCT=9100K P=0.8W I=250mA

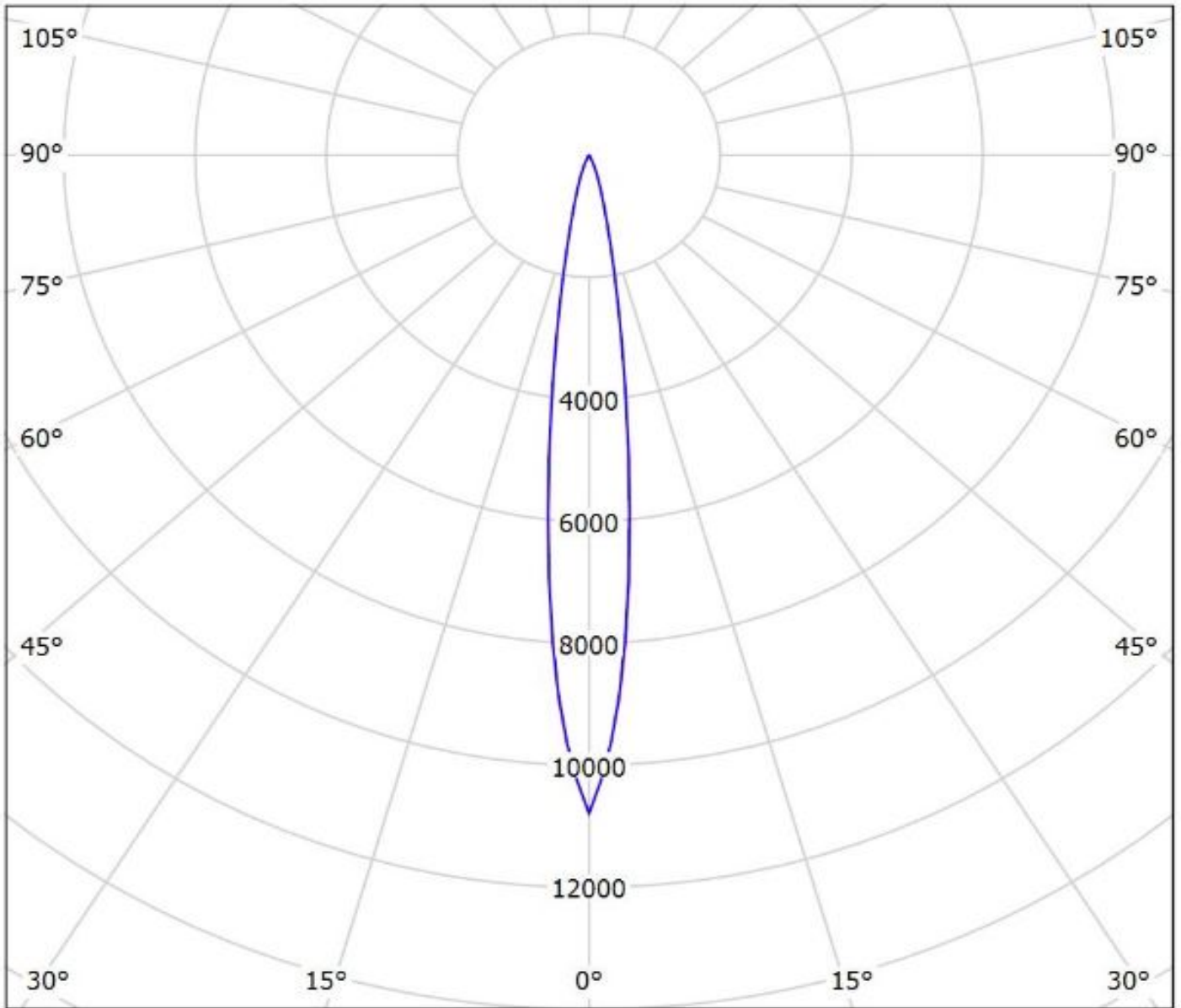


cd/klm

— C0 - C180

— C90 - C270

Luminaire: Ledil Oy CA11482_LXP2-D_SEOUL_Z8Y22+_SIMULATED
Lamps: 1 x SEOUL Z8Y22 Plus



cd/klm
— C0 - C180 — C90 - C270

$\eta = 91\%$

NOTE: The typical divergence will be changed by different color, chip size and chip position tolerance. The typical total divergence is the full angle measured where the luminous intensity is half of the peak value.