

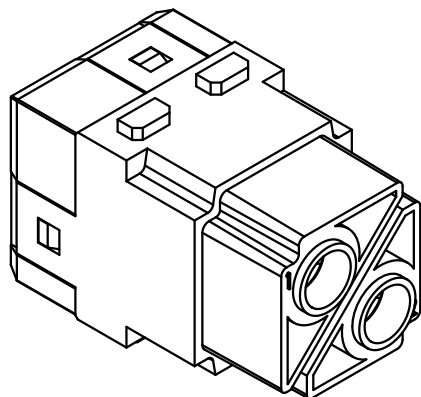
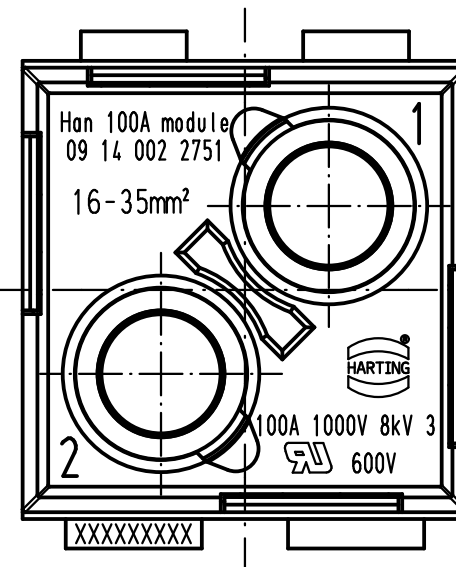
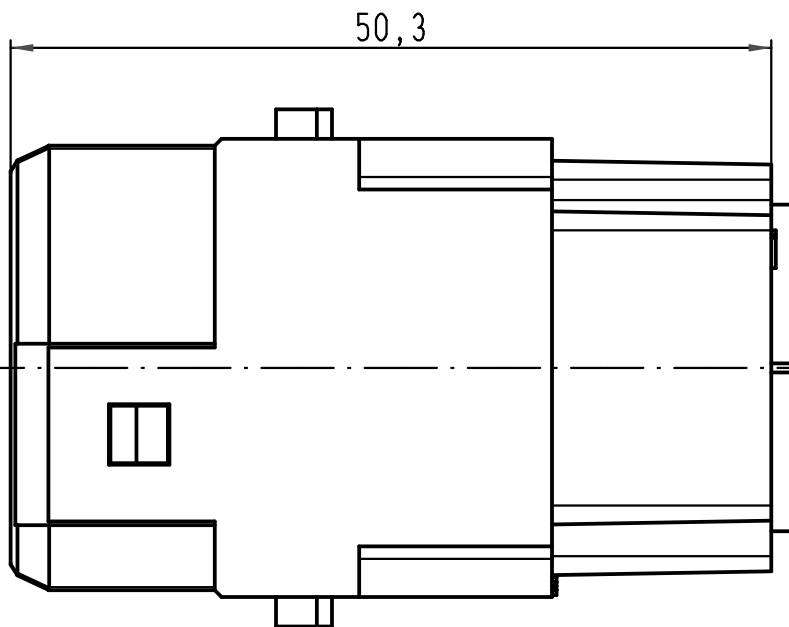
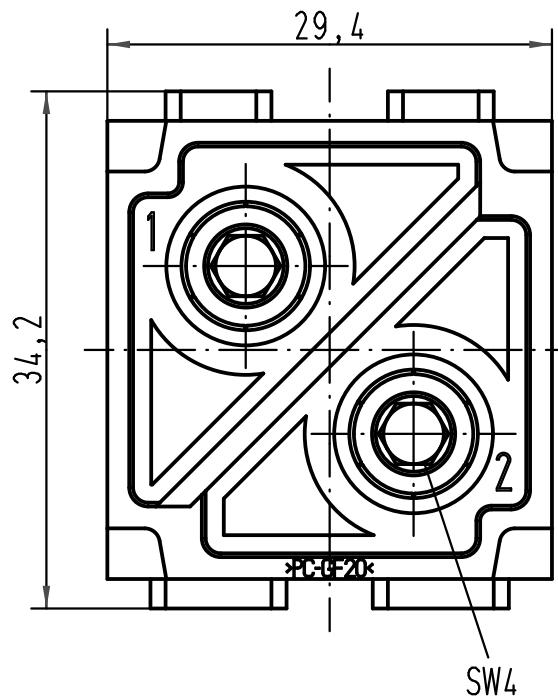
1 2 3 4 5 6

A

B

C

D



|   |      |                   |   |          |   |  |   |
|---|------|-------------------|---|----------|---|--|---|
| All Dimensions in mm<br>Original Size DIN A 4 |      | Techn. Character. |   |          | Nicht tolerierte Maß/Free size tolerances |  |   |
|   |      |                   | Dat.  | Name     | Maßstab/Scale<br><br>2:1                  | Han Axialschraub-Modul 16-35mm²<br>Han Axial screw module 16-35mm²<br>Buchseneinsatz/female insert |   |
|   |      |                   | Detail.   | 06.05.10 |   |  | Rull  |
|   |      |                   | Insp.   |          |   |  | Sch   |
|   |      |                   | Stand.  |          |   |  |   |
| A   |      |                   | HARTING Electric GmbH & Co. KG<br>D-32339 Espelkamp |          |   |  | TB 09 14 002 2751<br>Sub. TB 09 14 002 2751 v. 16.04.98 |
| Mod.  | Dat. | Name              |   |          |   |  |   |