

4

3

2

1

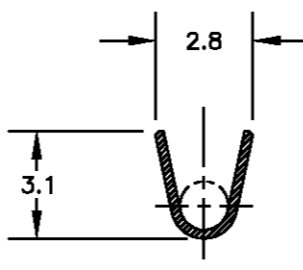
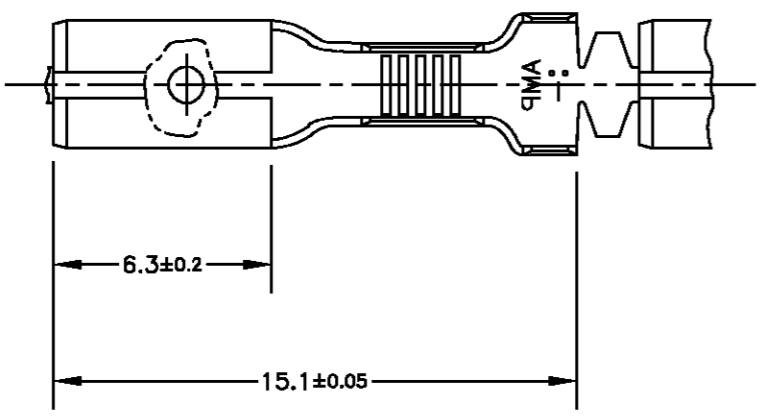
THIS DRAWING IS UNPUBLISHED. RELEASED FOR PUBLICATION .19

© COPYRIGHT 19 BY AMP INCORPORATED. ALL RIGHTS RESERVED.

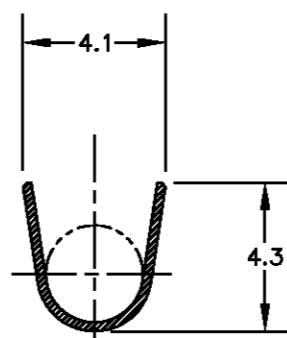
CAD
DO NOT REVISE
EXCEPT BY CAD

LOC AP
DIST -

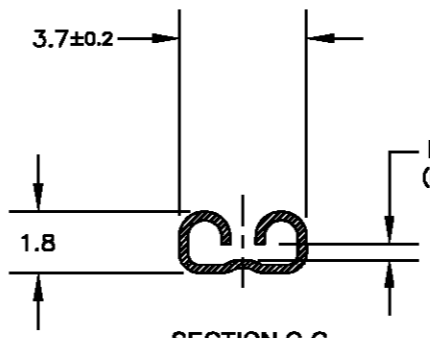
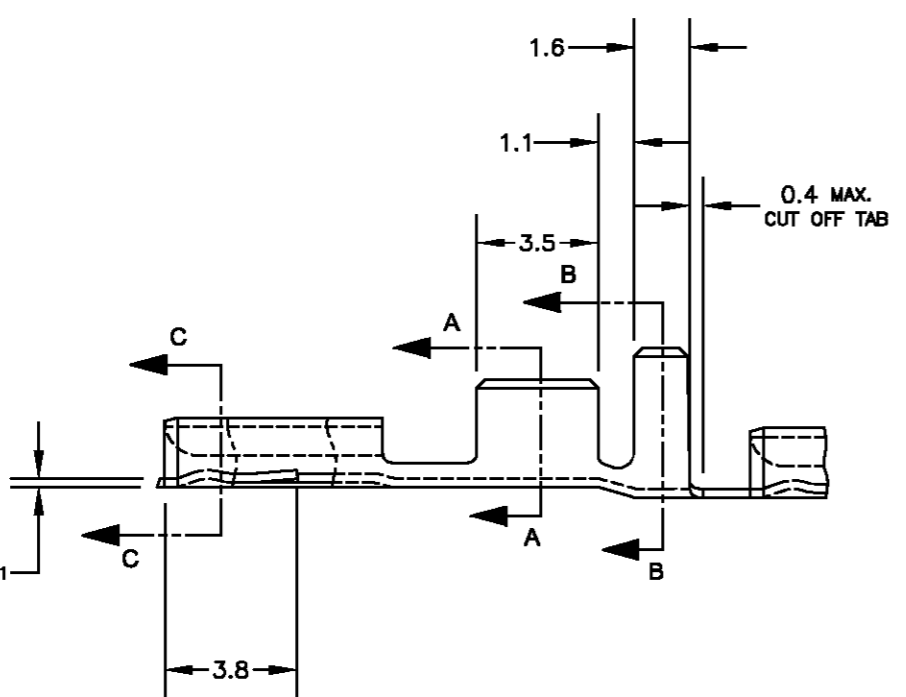
REVISIONS		DATE	DWN	APVD
REVISÃO	DESCRIÇÃO	DATA	DES	APR
E	REVISED BY ECLB080/02	08MAY02	AP	PLF
E1	REVISED PER ECO-09-026444	30NOV09	KK	AEG



SECTION A-A



SECTION B-B



SECTION C-C

PARA LINGUETA DE ESPESSURA "A" (FOR TAB WITH "A" THK.)

0,4	---	LATÃO / BRASS	1-881610-1
0,5	---	BRONZE FOSF. / PHOSP. BRONZE	881610-6 Δ
0,5	ESTANHADO / TIN PLATED	LATÃO / BRASS	881610-5 Δ Δ
0,5	---	LATÃO / BRASS	881610-4 Δ Δ
0,5	---	BRONZE FOSF. / PHOSP. BRONZE	881610-3
0,5	ESTANHADO / TIN PLATED	LATÃO / BRASS	881610-2 Δ
0,5	---	LATÃO / BRASS	881610-1
"A"	FINISH	MATERIAL	PART NUMBER

INS. RANGE 2,2 - 3,0 mm	WIRE RANGE 1,0 - 1,5 mm ²
THIS DRAWING IS A CONTROLLED DOCUMENT.	
DIMENSIONS: DIMENSÕES MM	TOLERANCES UNLESS OTHERWISE SPECIFIED: TOLERÂNCIA NCO ESPECIFICADAS
	0 PLC/DEC ± - 1 PLC/DEC ± 0,3 2 PLC/DEC ± - 3 PLC/DEC ± - 4 PLC/DEC ± - ANGLES/ANGULARES ± 1°
MATERIAL SEE TABLE	FINISH ACABAMENTO SEE TABLE

DWN/DES A.PERUSSI 08MAY2002	CHK/CH P.L.FARIA 08MAY2002	AMP do Brasil Ltda. São Paulo, Brasil	
APVD/APR L.W.PRADO 08MAY2002	NAME DESIGNO	.110 SERIES FASTON RECEPTACLE	
PRODUCT SPEC 108-37014	APPLICATION SPEC 114-2036	SIZE A3	CAGE CODE 00779
WEIGHT -/-	DRAWING NO DESENHO NO C-881610	RESTRICTED TO -/-	SCALE ESCALA 5:1
CUSTOMER DRAWING/DESENHO DE CLIENTE	SHEET FOLHA 1 OF 1	REV E1	

Δ - PEÇA SOLTA. Δ - LOOSE PIECE.
 Δ 2 OBSOLETE PARTS: OBSOLETE CIS STREAMLINING PER D.RENAUD/D.SINISI