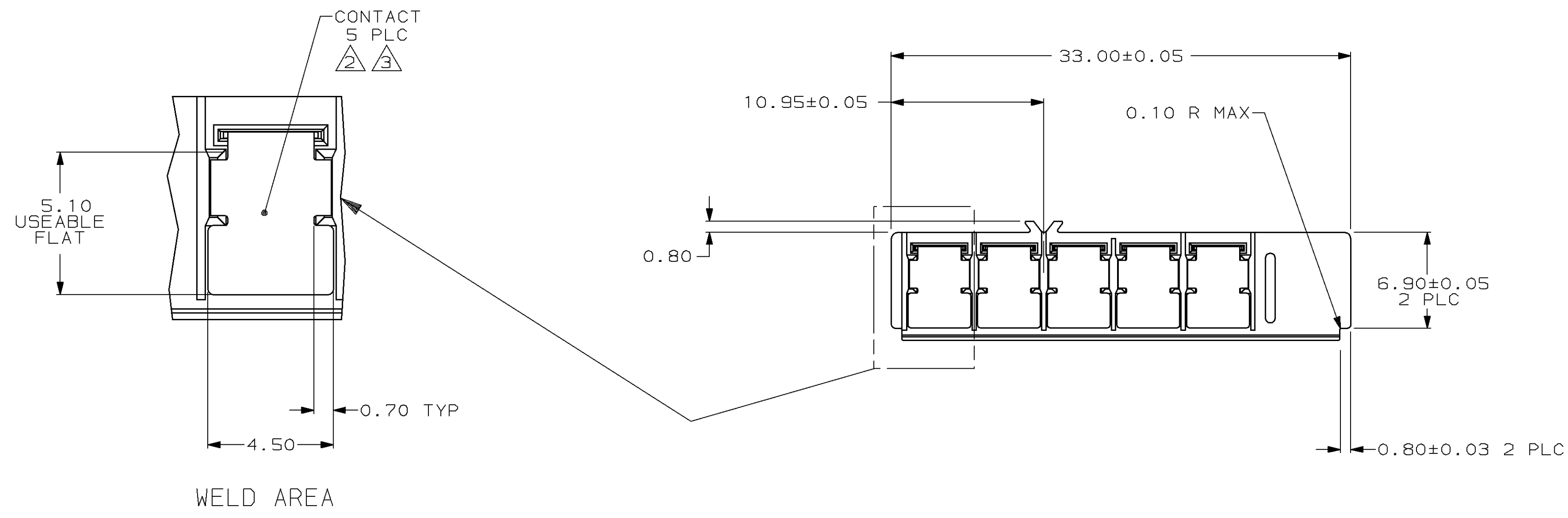
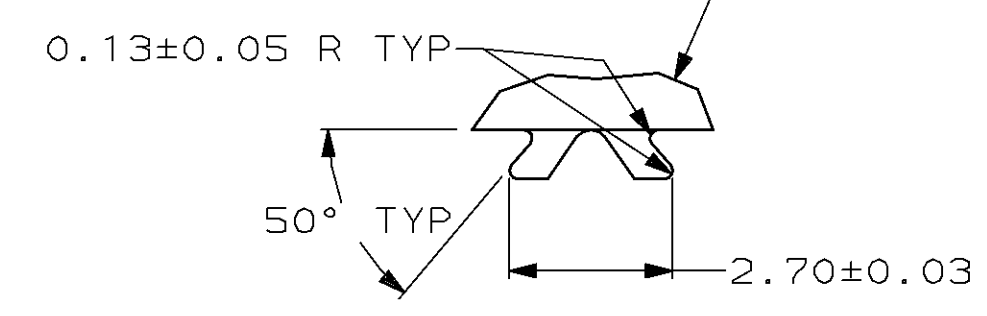
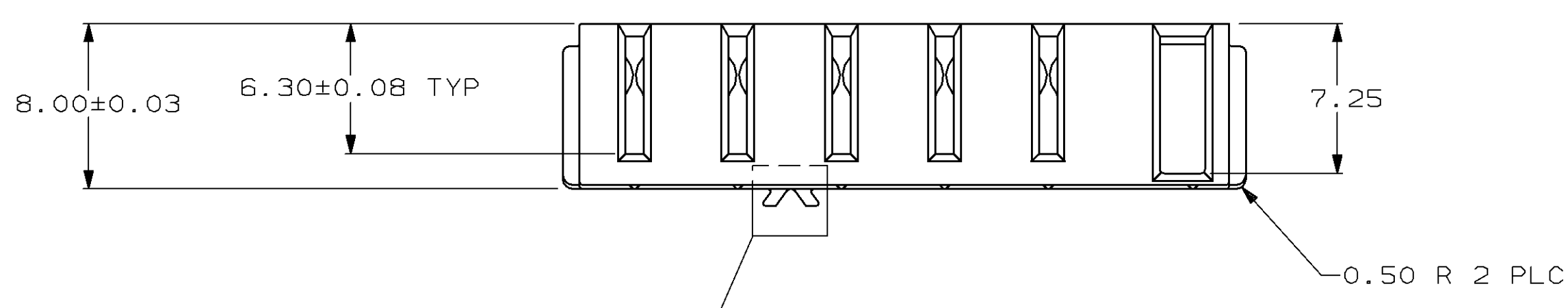
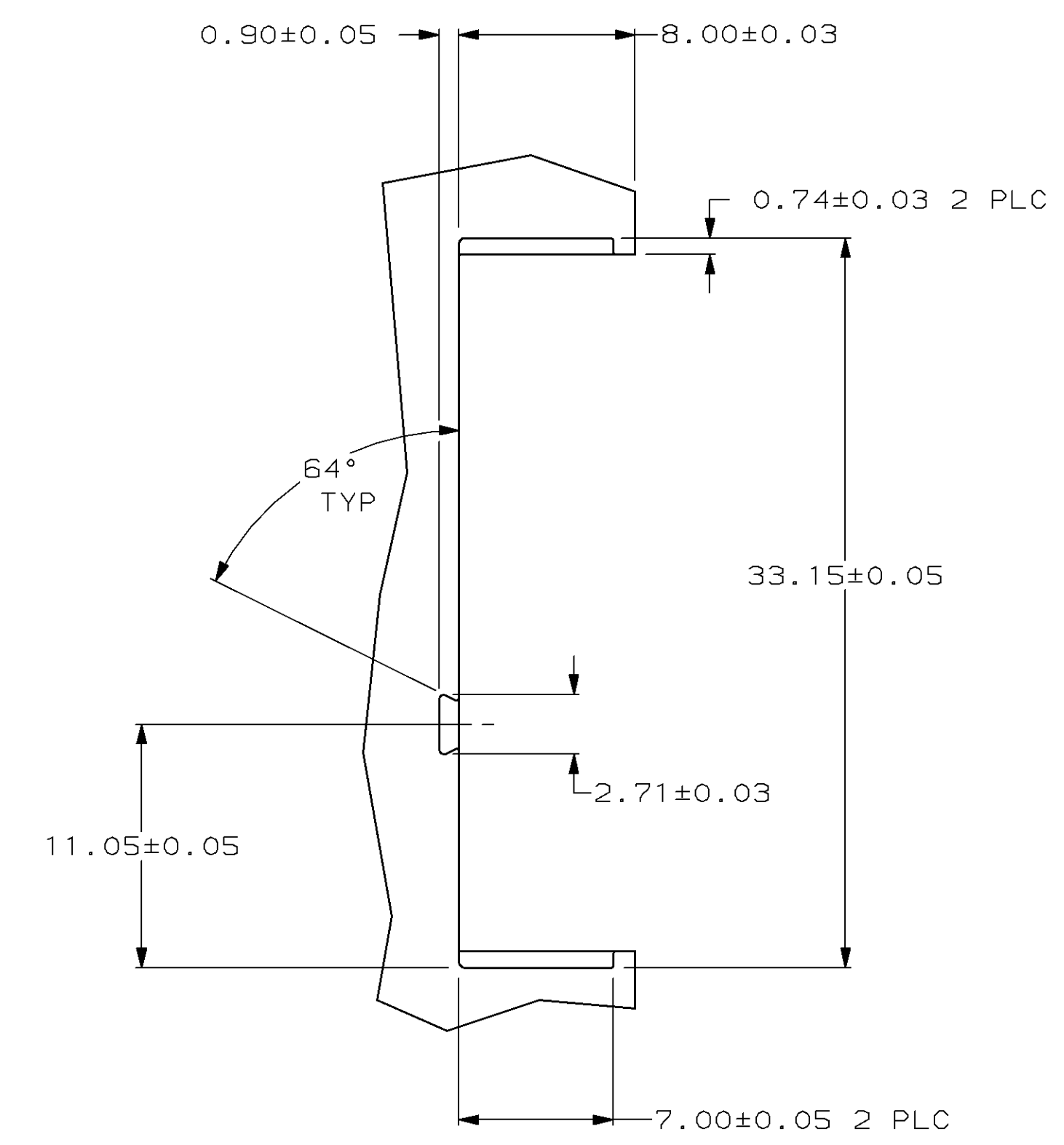
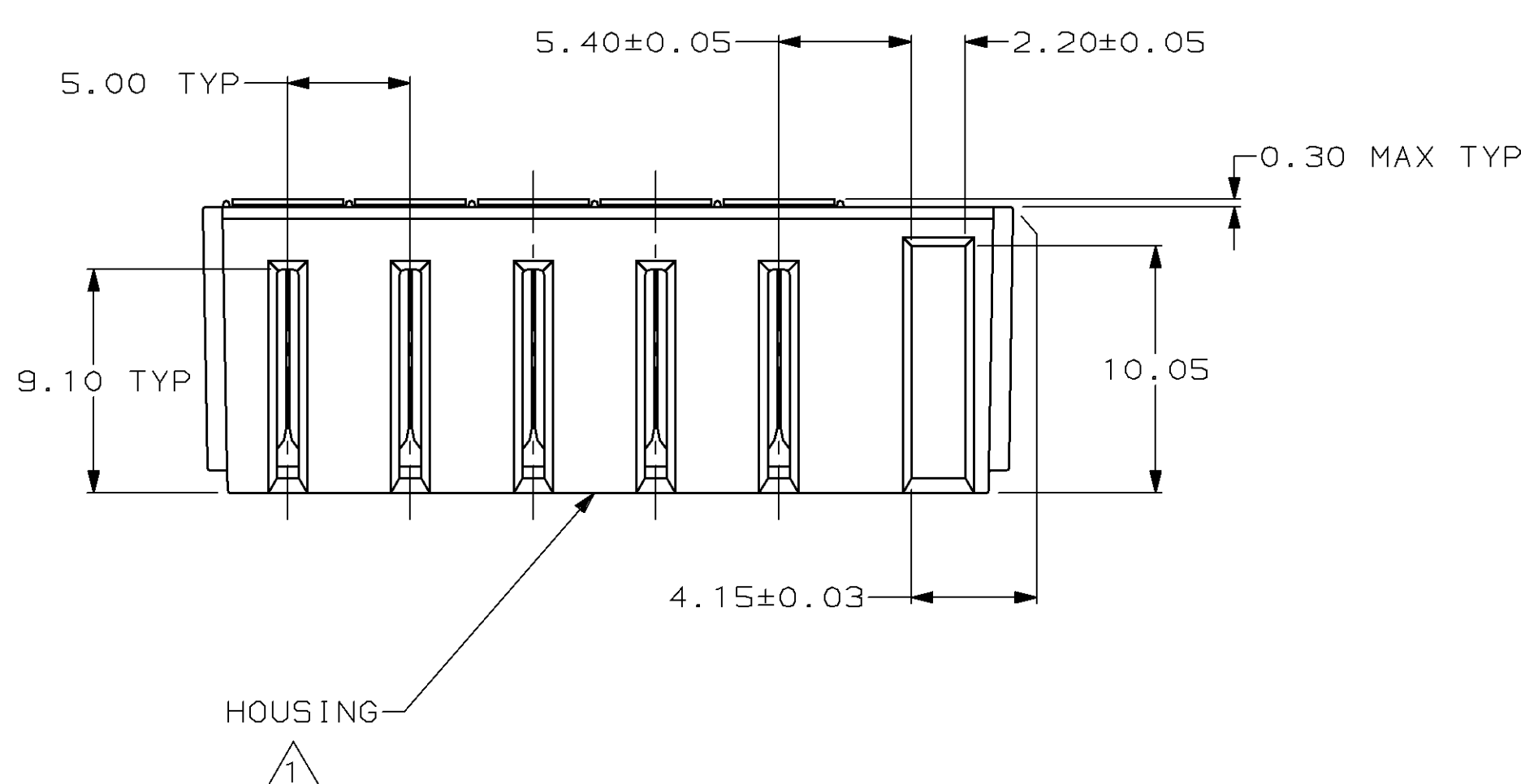
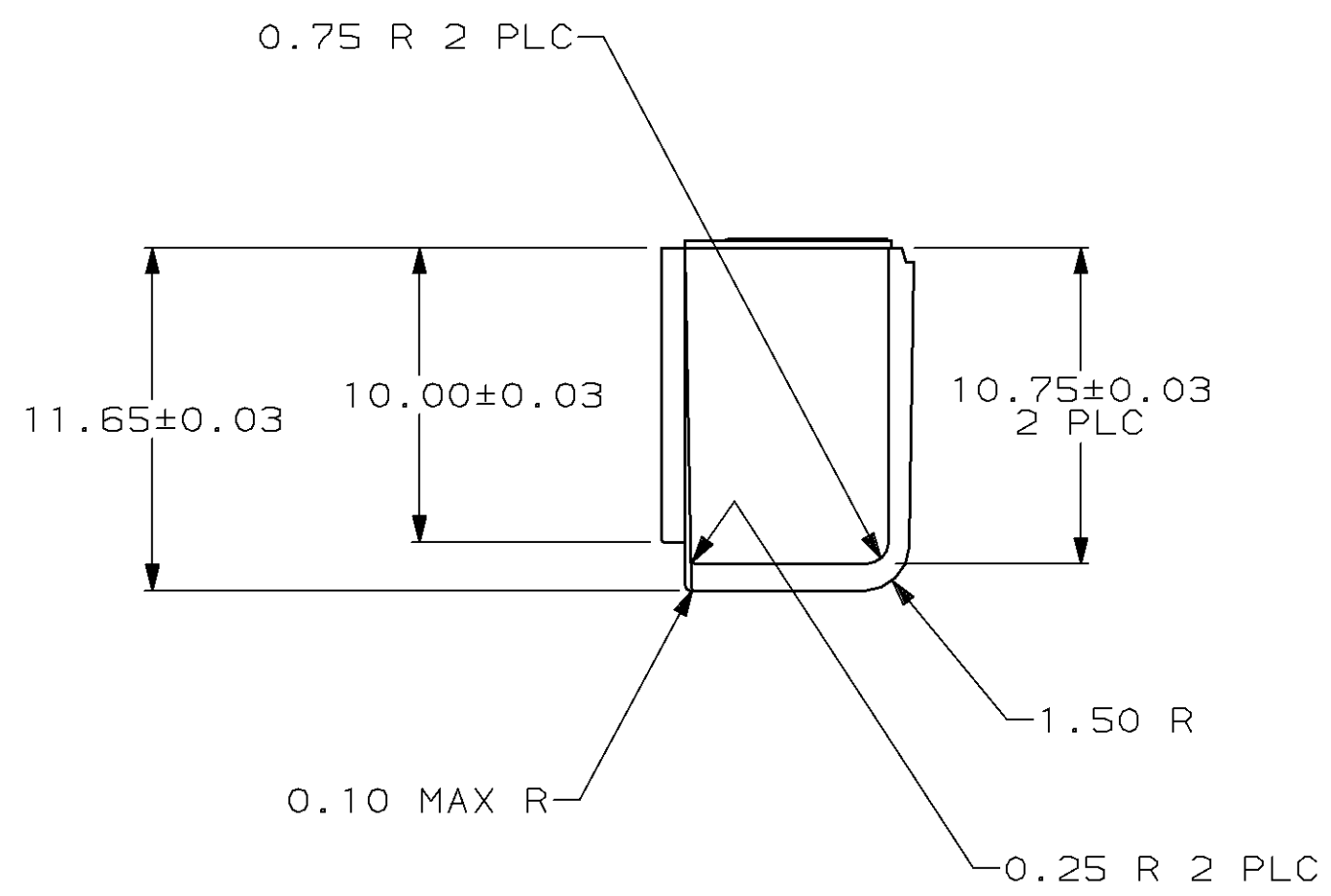


LOC	DIST	REV	DESCRIPTION	DATE	DWN	APVD
BD	39	0	RLSE -1 PER NPR 5306 WAS 94-1878-82-1	04-05-95	SK	SK



- ① HOUSING: LEXAN 940, BLACK.
- ② CONTACTS: PHOSPHOR BRONZE.
- ③ FINISH: PRE-NICKEL.



787439-1  
 PART NO

<small>THIS DRAWING IS A CONTROLLED DOCUMENT FOR AMP INCORPORATED. IT IS SUBJECT TO CHANGE AND THE CONTROLLING ENGINEERING DEPARTMENT SHALL BE CONTACTED FOR THE LATEST REVISION.</small>		DWN S. KLINE 04-05-95 CHK S. KLINE 04-11-95 APVD S. KLINE 04-11-95	<b>AMP</b> AMP Incorporated Harrisburg, PA 17105-3608
DIMENSIONS: mm 	TOLERANCES UNLESS OTHERWISE SPECIFIED: 0 PLC ±- 1 PLC ±- 2 PLC ±0.13 3 PLC ±- 4 PLC ±- ANGLES ±2°	PRODUCT SPEC APPLICATION SPEC	NAME INSERT ASSEMBLY, 5 POSN, DOVETAIL LOCATOR, 12V KEY SLOT, BATTERY INTERCONNECT
MATERIAL SEE CALLOUTS	FINISH SEE CALLOUTS	WEIGHT -	SIZE A1 CAGE CODE 00779 DRAWING NO. 787439 CUSTOMER DRAWING
		SCALE 4:1	SHEET 1 OF 1 REV 0