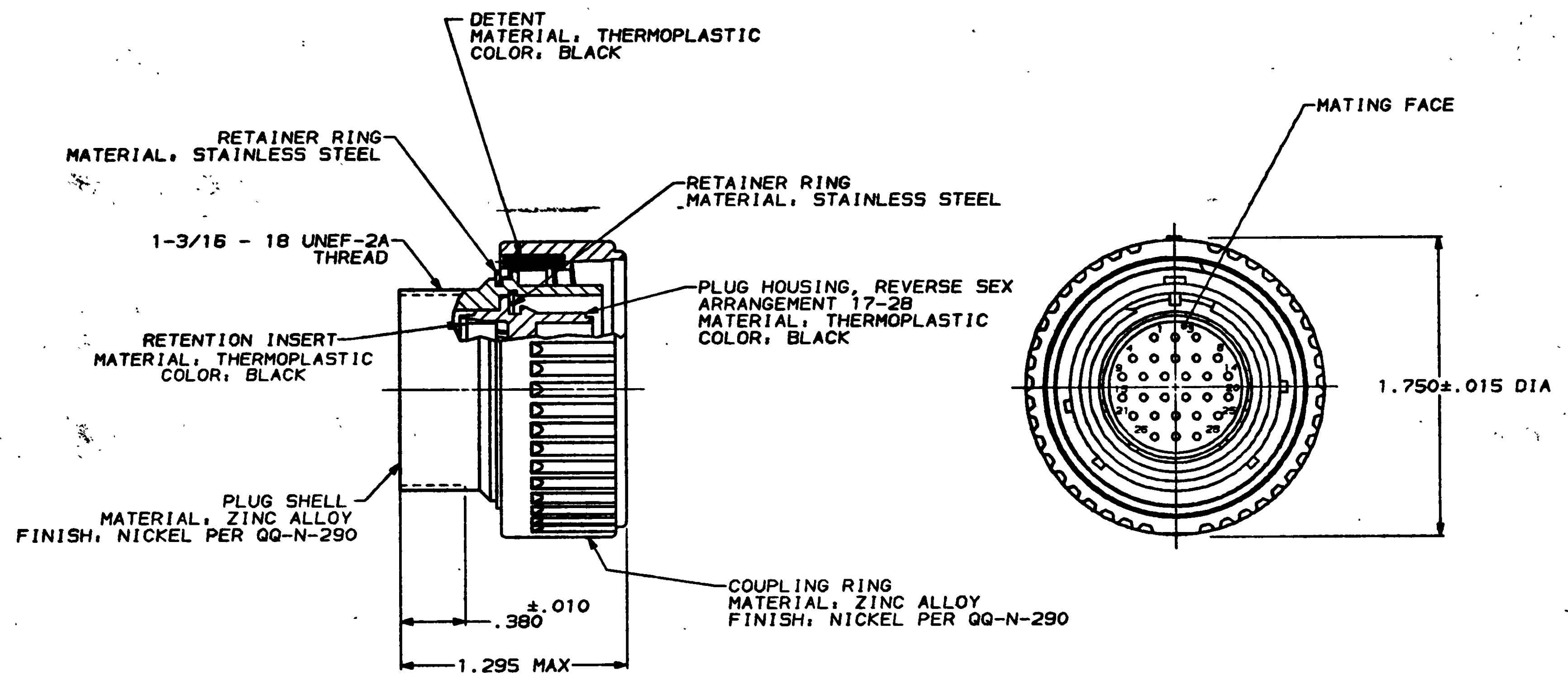


REV	LOG	DATE	ZONE	LTR	DESCRIPTION	DATE	APP
23	BD	35		H	REV & REDRAWN PER ECN BDS454	7-5-82	-



- 208492-1 MATES WITH AMP RECEPTACLE 208493-1.
- THIS PLUG ACCEPTS TWENTY EIGHT (28) TYPE 20 DM OR TYPE 20 DF SOCKET CONTACTS. MAXIMUM WIRE INSULATION DIAMETER = .068.
- AMP PART NUMBER AND DATE CODE TO BE LOCATED ON COUPLING RING.

		208492-1	
		PART NO	
DO NOT SCALE PRINT. UNLESS SPECIFIED DIMENSIONS IN INCHES TOLERANCES ON: 2 PLC DEC * - 3 PLC DEC * - ANGLES * -	DR 7-2-92 H MOLL. CHK 12-29-92 R. STONE APPD 12-29-92 K. BEAVER APPD 12-29-92 C. RONDE	AMP AMP Incorporated Harrisburg, PA 17105-3608	
MATERIAL SEE CALLOUT	PRODUCT SPEC 108-10040	NAME PLUG ASSEMBLY, REVERSE SEX, SERIES 2, 22-28, CMC	
FINISH SEE CALLOUT	APPLICATION SPEC -	SIZE C	CASE CODE 00779
	WEIGHT -	SCALE 2:1	DRAWING NO 208492
			SHEET 1 OF 1

CUSTOMER DRAWING