

DETAILS

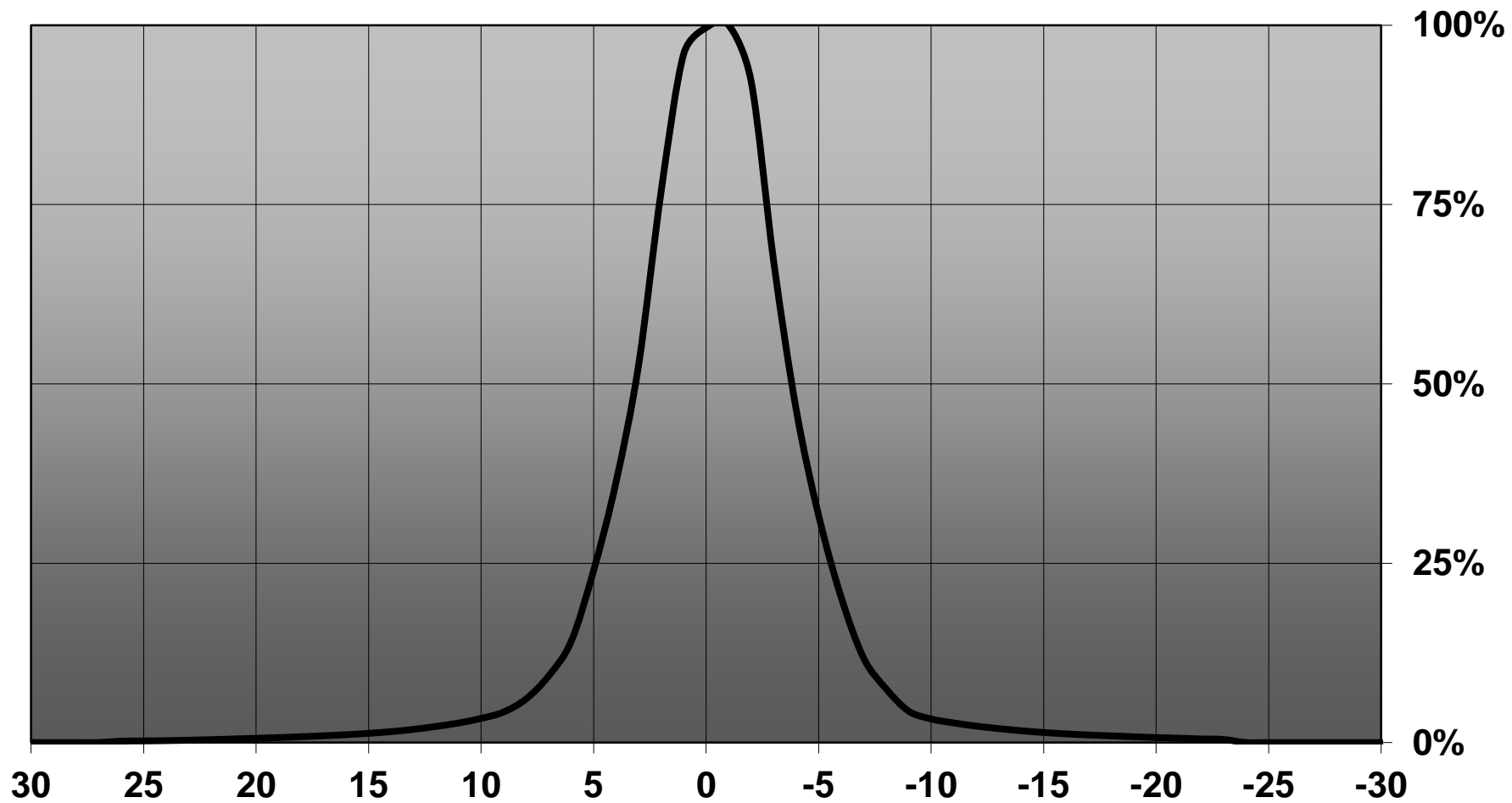
Product Number	CA14505_G2-LXP2-RS2-P
Family	Leila
Type	Assembly
Color	black
Diameter	21,8 mm
Height	14,7 mm
Style	round
Optic Material	PMMA
Holder Material	
Fastening	pin, tape
Status	production ready
ROHS Compliant	Yes
Date Updated	23/02/2015



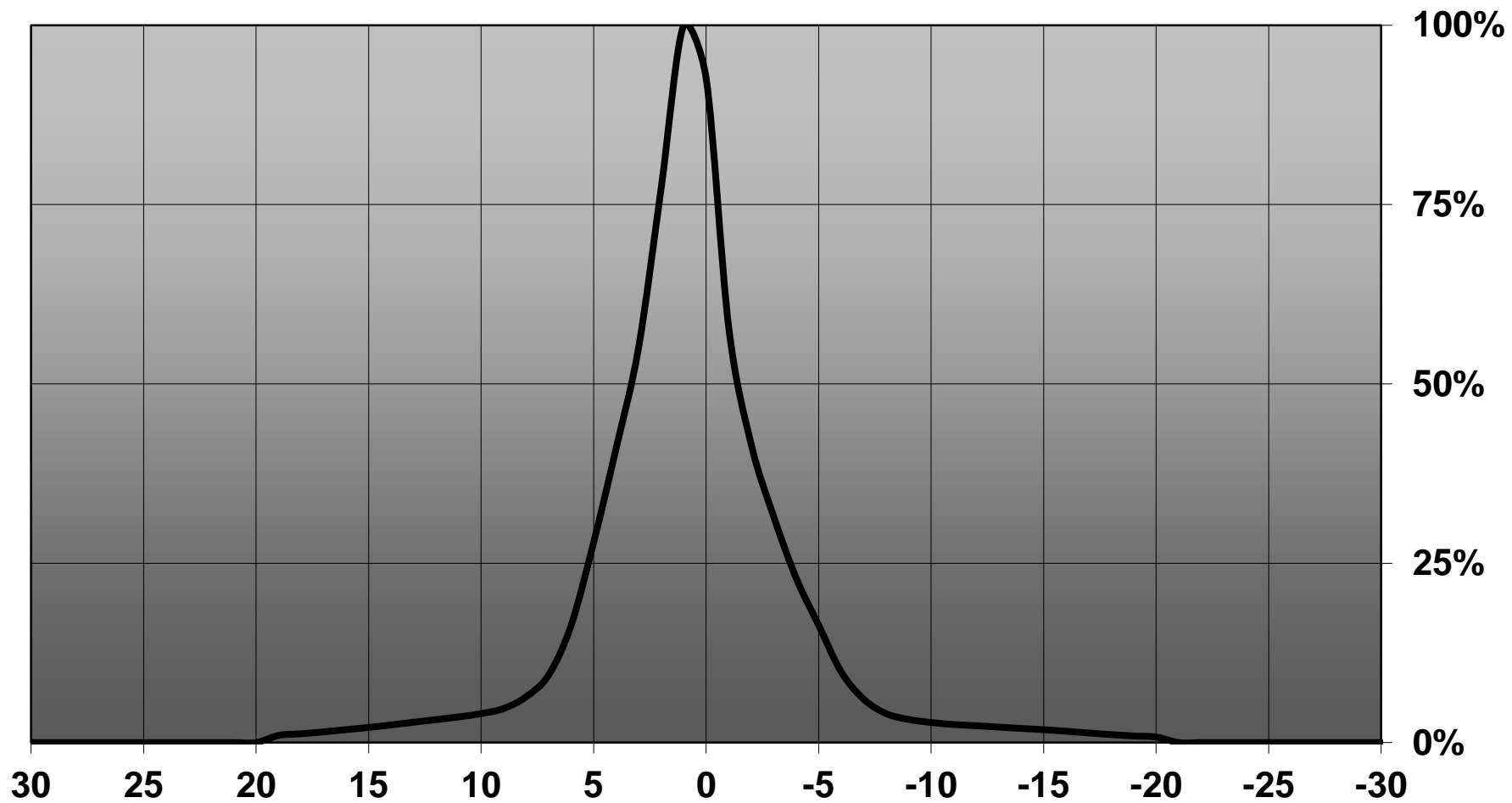
OPTICAL PROPERTIES

LED	Viewing	Light	Effi-		Connector
	Angle	Beam	ciency	cd/lm	
XP-E	7.0 deg	RS2-class	88 %	34.650	-
XQ-E HI	4.9 deg	RS2-class	83 %	38.700	-
XP-G2	sim: 10	RS2-class	sim: 94 %	sim: 22.200-	
XQ-E	sim: 6,7	RS2-class	sim: 91 %	sim: 41.200-	
H35C1 (LEMWA33)	sim: 11	RS2-class	sim: 92 %	sim: 19.200-	
LUXEON T	sim: 11	RS2-class	sim: 93 %	sim: 17.700-	
LUXEON TX	sim: 9,7	RS2-class	sim: 91 %	sim: 19.600-	
NCSxx19A	6.8 deg	RS2-class	89 %	21.300	-
NVSxx19B/NVSxx19C	sim: 11	RS2-class	sim: 88 %	sim: 15.500-	
NVSW3x9A	12 deg	RS2-class	89 %	11.400	-
Oslon Square Gen3	sim: 9,2	RS2-class	sim: 92 %	sim: 21.700-	
Oslon SSL 80	sim: 6,4	RS2-class	sim: 92 %	sim: 48.300-	
LH351Z	sim: 9	RS2-class	sim: 93 %	-	-
LH351B	sim: 10	RS2-class	sim: 92 %	sim: 17.400-	
LH351A(3535)	sim: 9	RS2-class	sim: 91 %	sim: 21.900-	
Z5P	sim: 8	RS2-class	sim: 92 %	sim: 26.100-	
Z5M1/Z5M2	sim: 10	RS2-class	sim: 93 %	sim: 19.900-	
Z8Y22P	10 deg	RS2-class	84 %	11.600	-

Relative intensity of CA14505_G2-LXP2-RS2-P_(XP-E)



Relative intensity of CA14505_G2-LXP2-RS2-P_(XQ-E_HI)



D

C

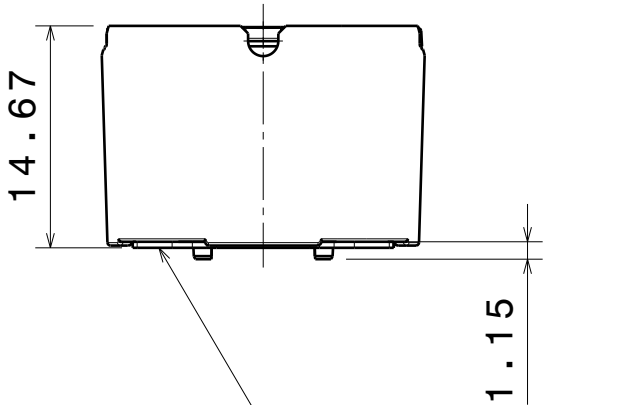
B

A

Applies to:
CA14503
CA14505
CA14507
CA14509
CA14511

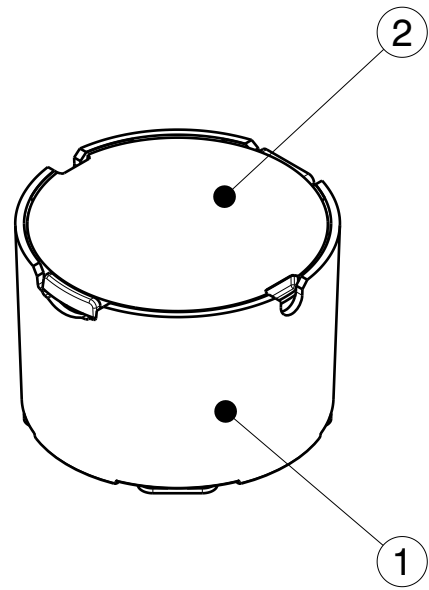
4

4



Front view

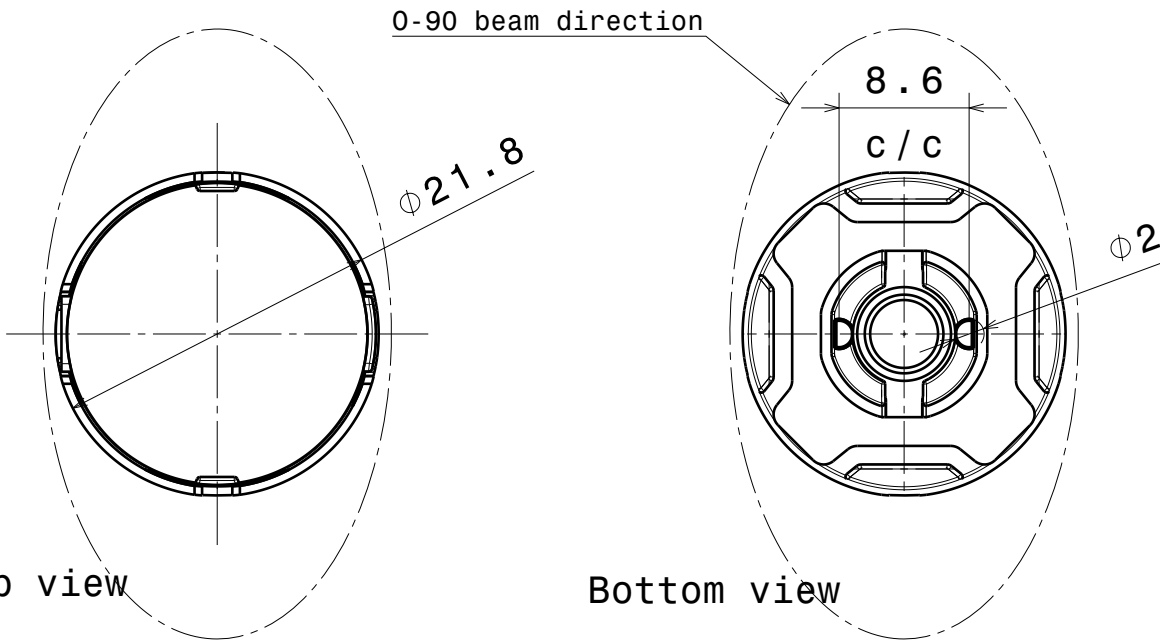
PU foam tape 0.4mm



Isometric view

3

3



Top view

Bottom view

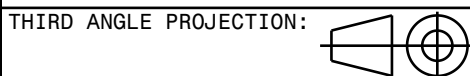
2

2

INDEX	PART NO	DESCRIPTION	MATERIAL	COLOUR
1	C14443	LXP2-LT-HLD	PC	black
2	-	LXP2-series_mech lens	PMMA	clear

Tolerances if not otherwise shown
 According to DIN ISO 2768-1
 Linear measures:
 up to 30mm class M, otherwise class C
 According to DIN ISO 2768-2
 Form and position: class L

LEDiL LediL Oy
 Salorankatu 10
 FIN 24240 SALO
 Finland



DRAWING TITLE

LEILA-G2-LXP2-PIN

This drawing is the property
 of LEDiL Oy. It may not be
 reproduced, copied or
 communicated without a written
 agreement with LEDiL Oy.

SIZE	PART NUMBER
A4	-

SCALE	2:1	WEIGHT	4,0 g	SHEET	1/1
-------	-----	--------	-------	-------	-----

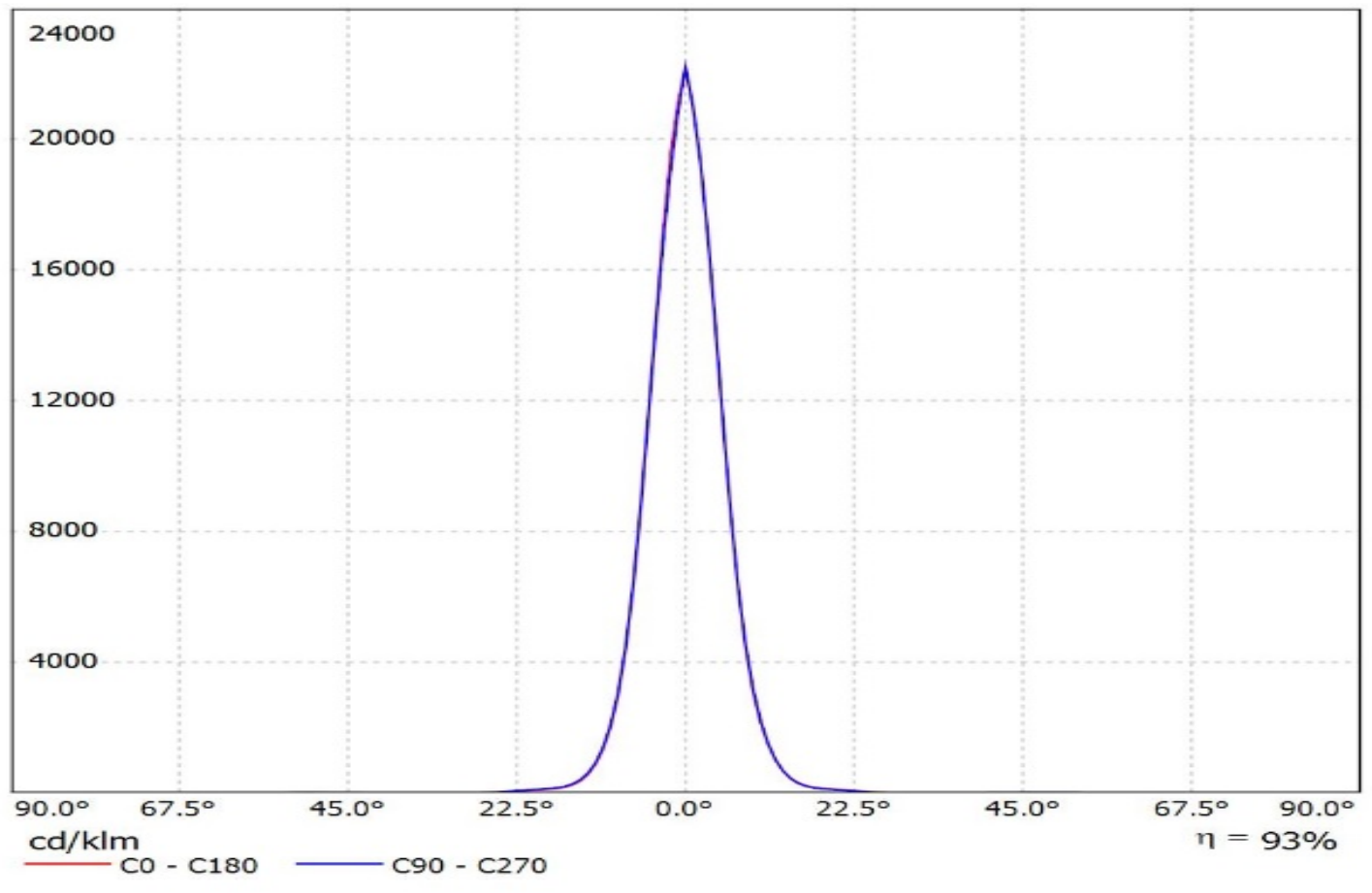
1

1

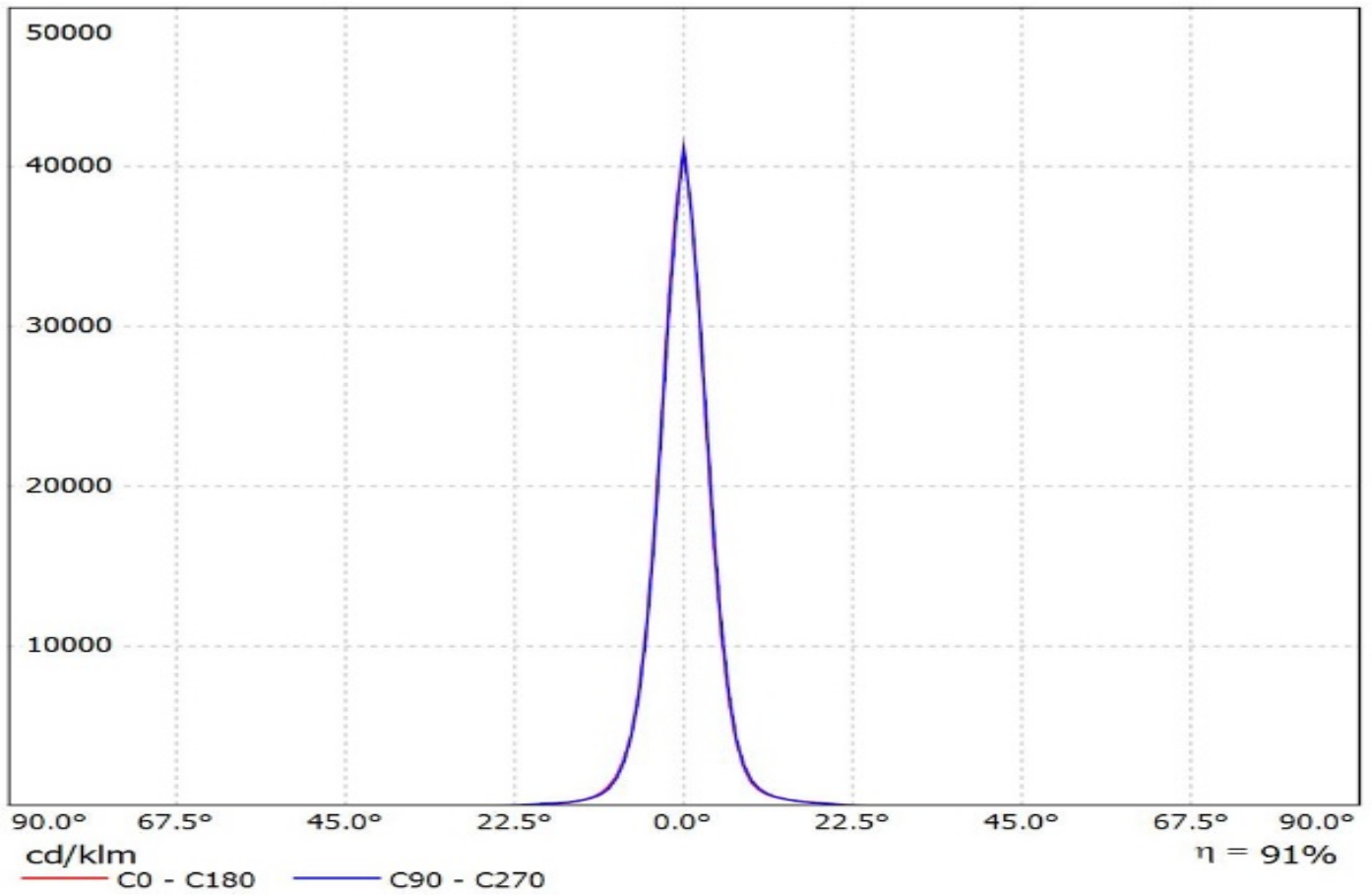
D

A

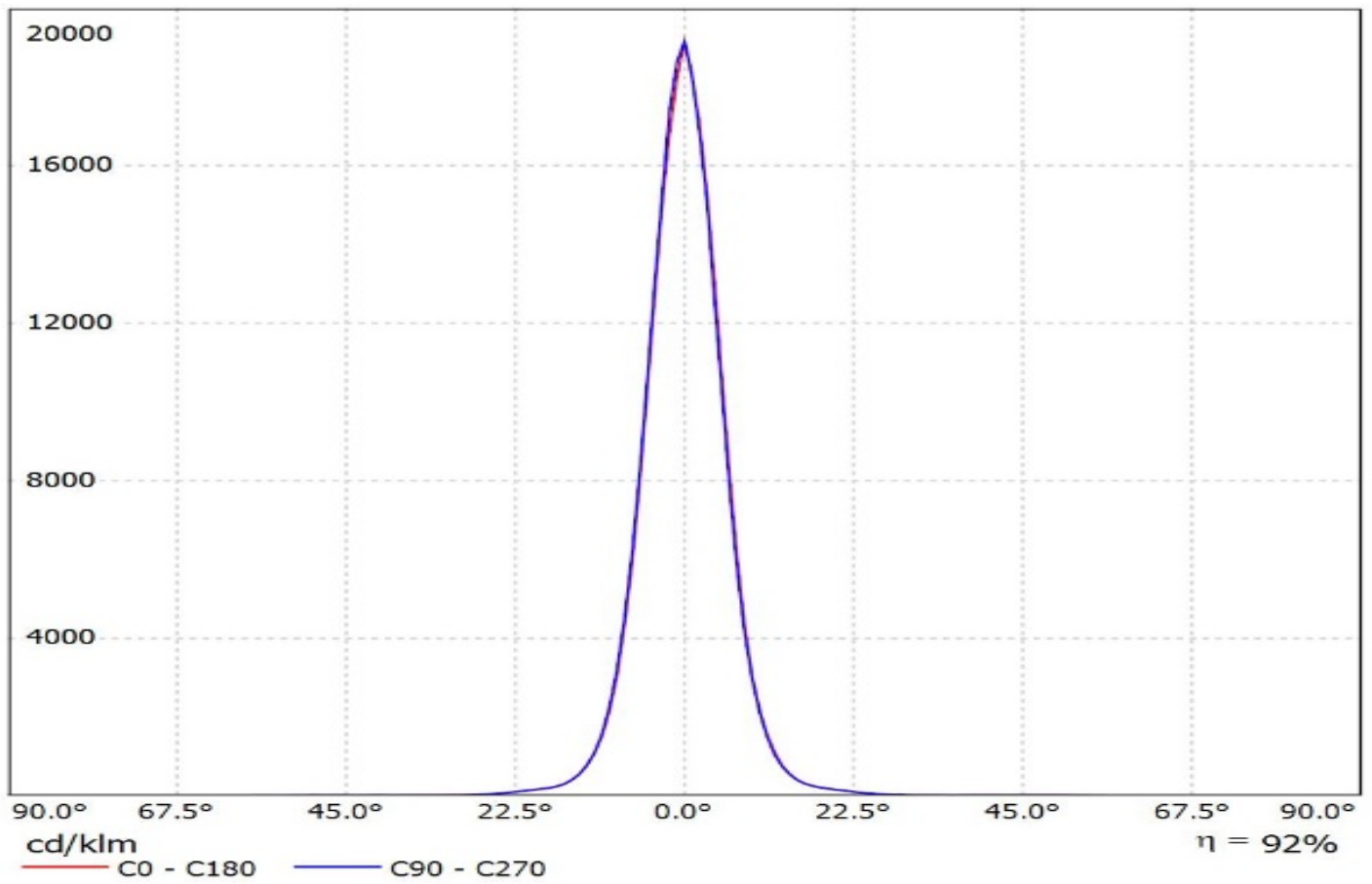
Luminaire: Ledil Oy CA14505_G2-LXP2-RS2-P_XP-G2_SIMULATED
Lamps: 1 x CREE XP-G2



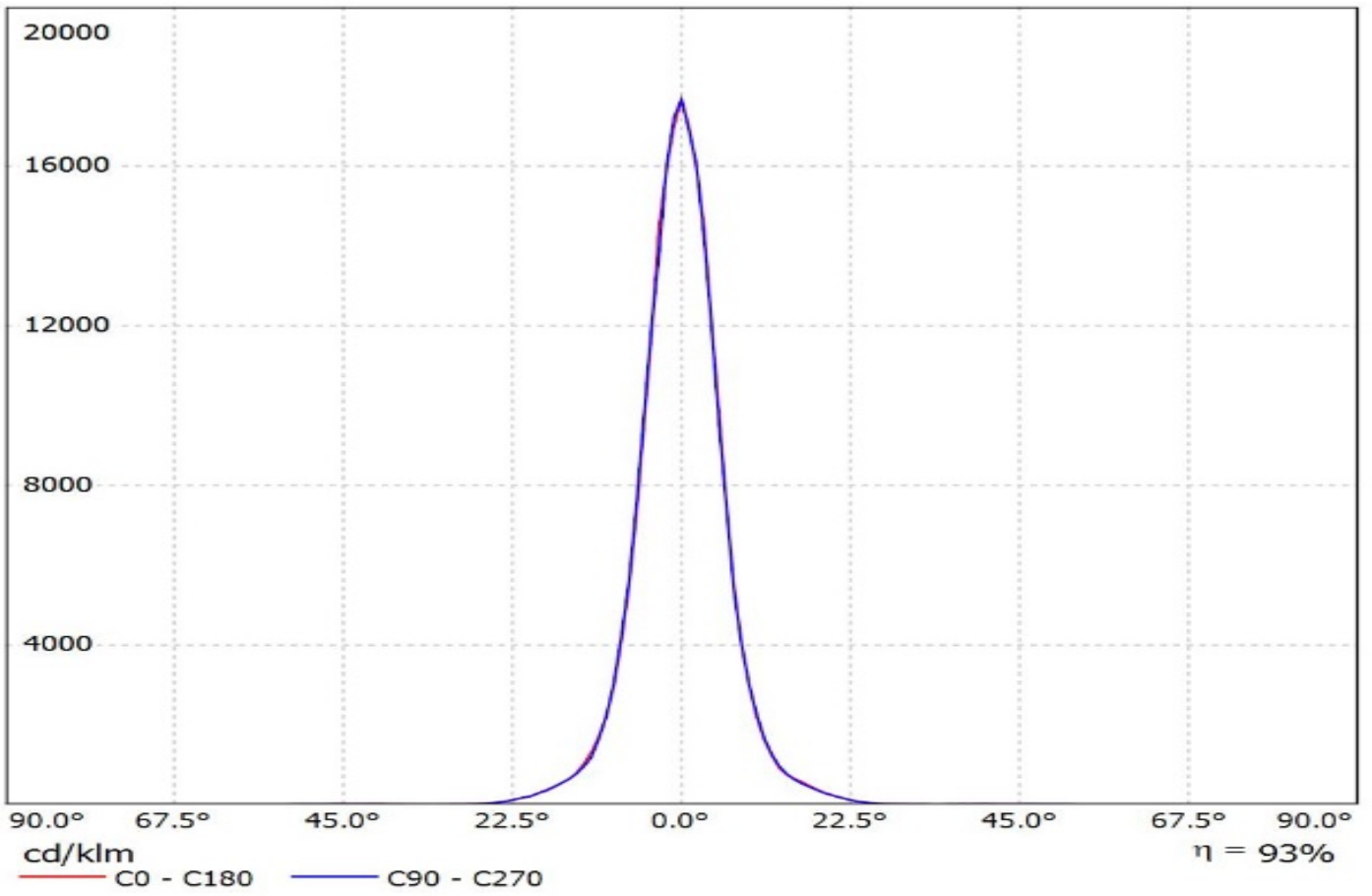
Luminaire: Ledil Oy CA14505_G2-LXP2-RS2-P_(XQ-E)_SIMULATED
Lamps: 1 x Cree XQ-E



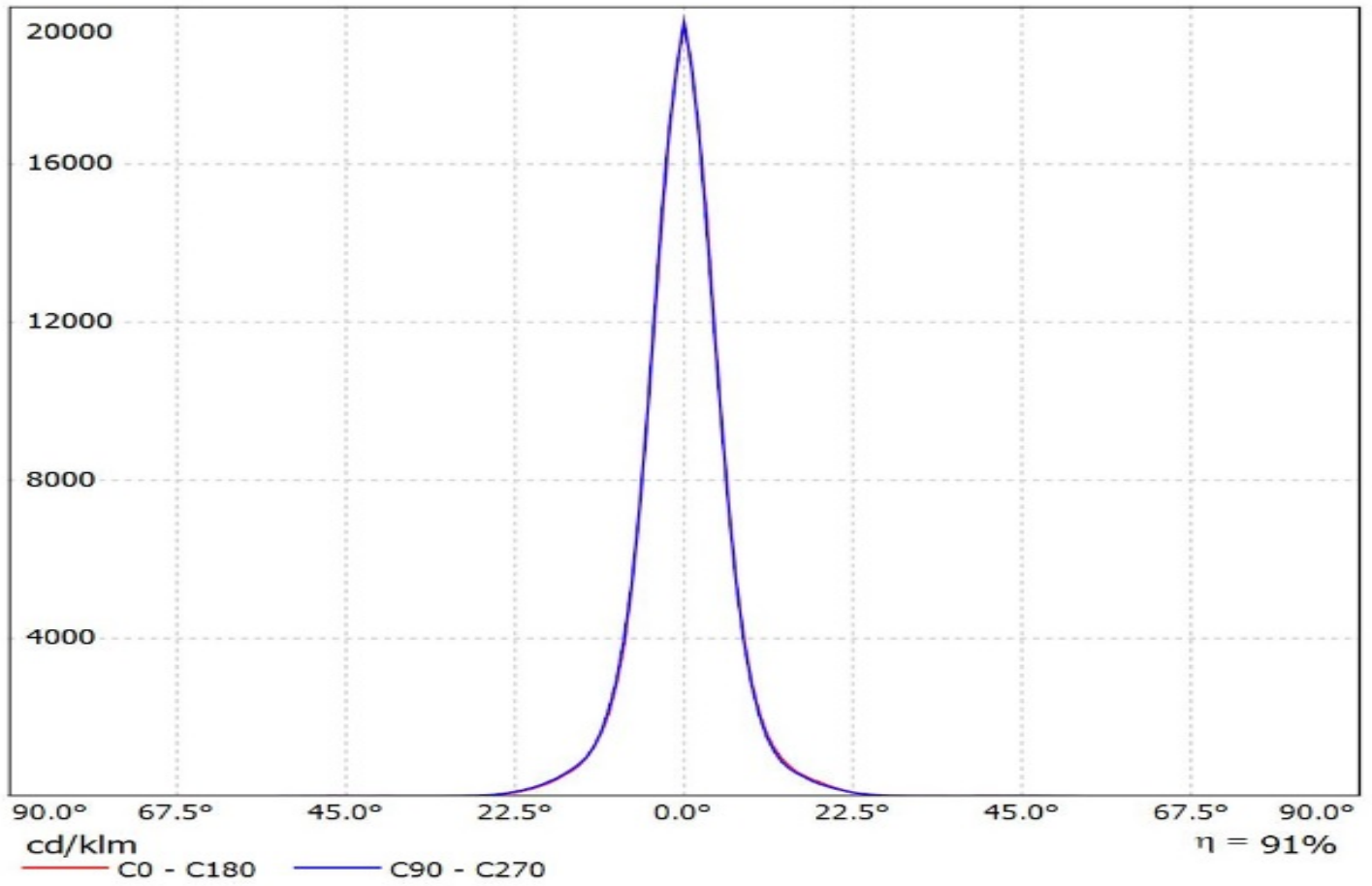
Luminaire: Ledil Oy CA14505_G2-LXP2-RS2-P_(LG_H35C1)_SIMULATED
Lamps: 1 x LG H35C1



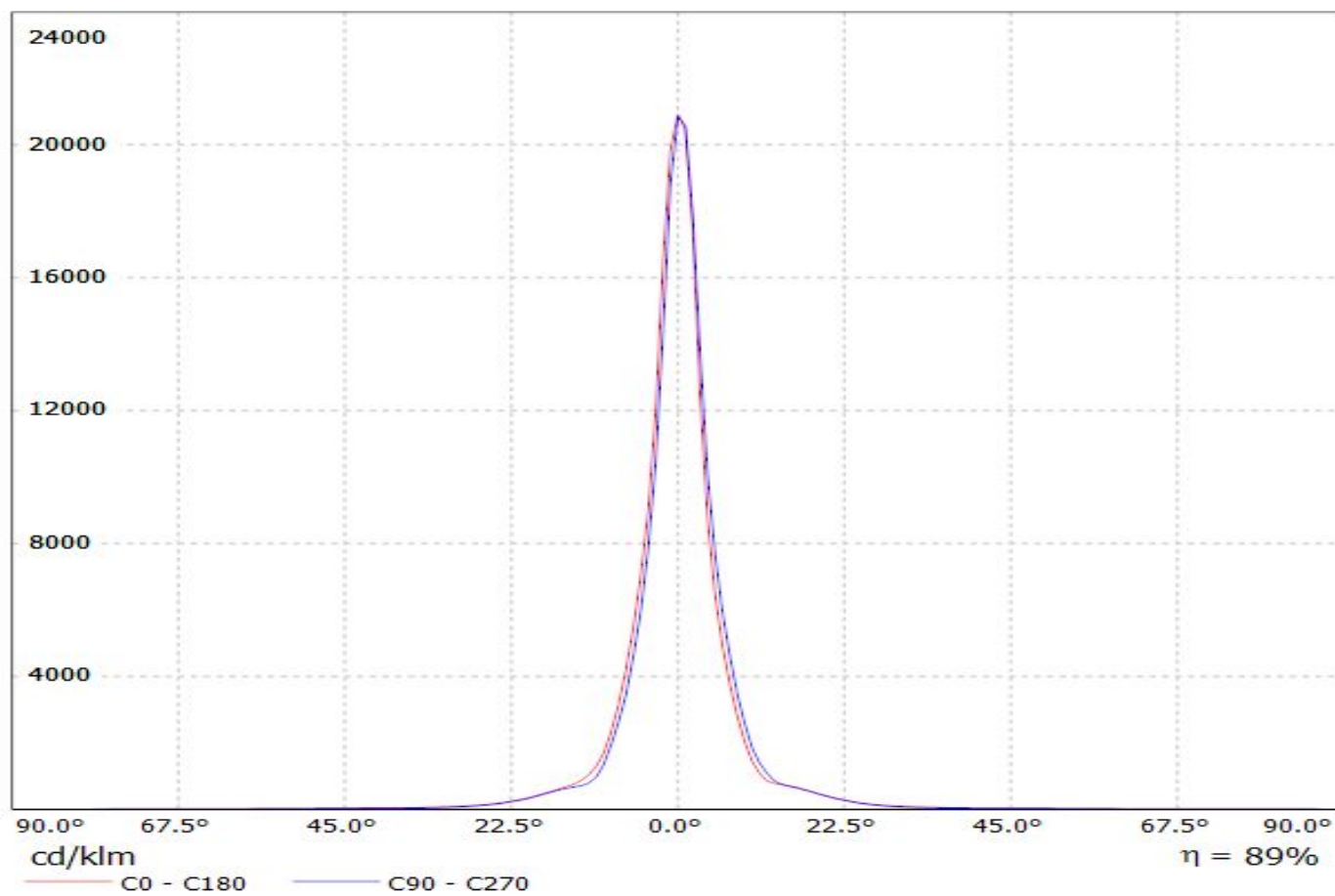
Luminaire: Ledil Oy CA14505_G2-LXP2-RS2-P_(Luxeon_T)_SIMULATED
Lamps: 1 x Lumileds Luxeon T



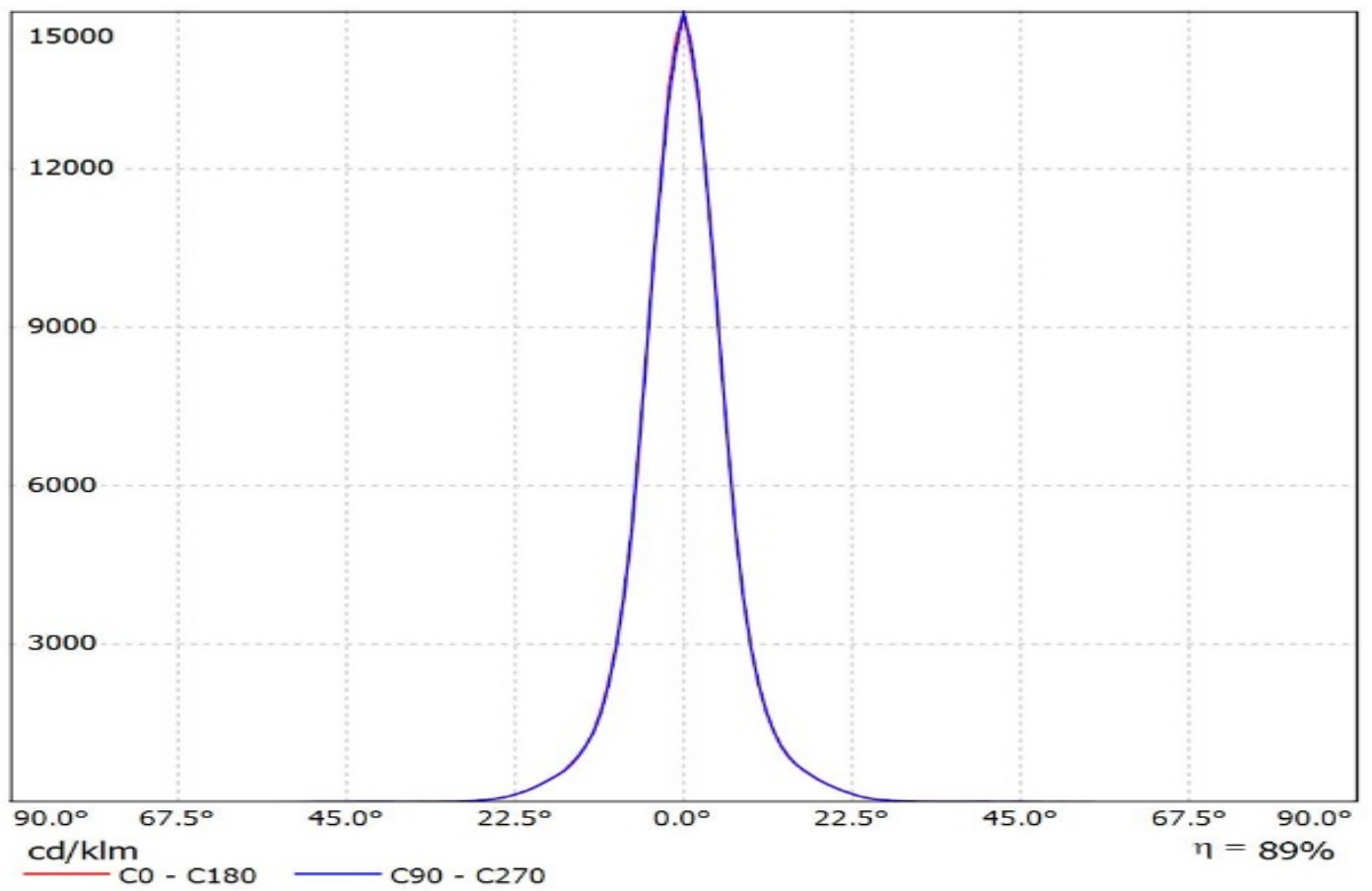
Luminaire: Ledil Oy CA14505_G2-LXP2-RS2-P_(Luxeon_TX)_SIMULATED
Lamps: 1 x Lumileds Luxeon TX



Luminaire: LEDiL Oy CA14505_G2-LXP2-RS2-P_(Nichia_NCSxx19A)
Lamps: 1 x Nichia_NCSxx19A_66.5093lm@250mA_P=0.78701W_I=0.2499A

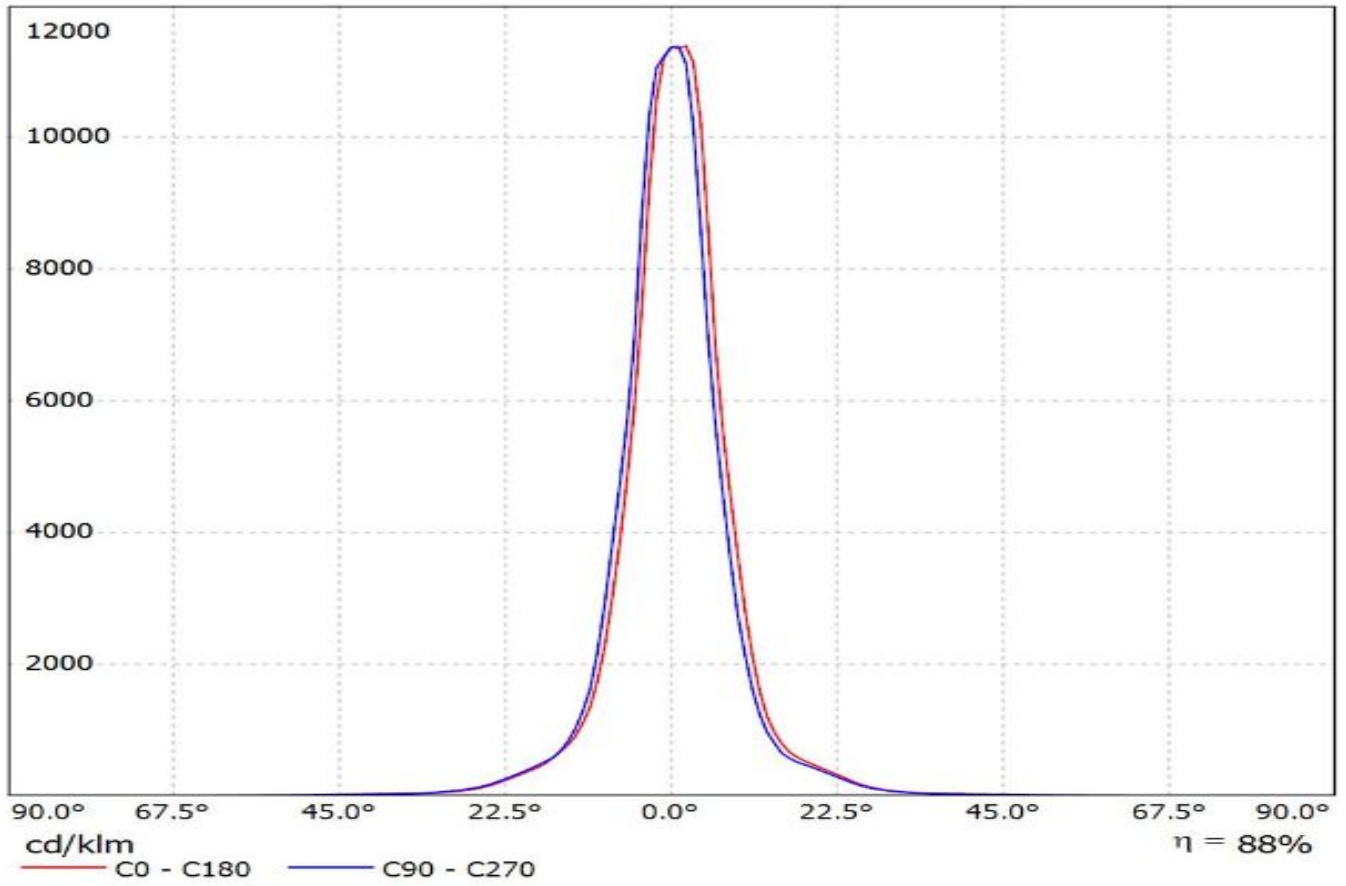


Luminaire: Ledil Oy CA14505_G2-LXP2-RS2-P_(NVSxx19B)_SIMULATED
Lamps: 1 x Nichia NVSxx19V (NVSW219B)

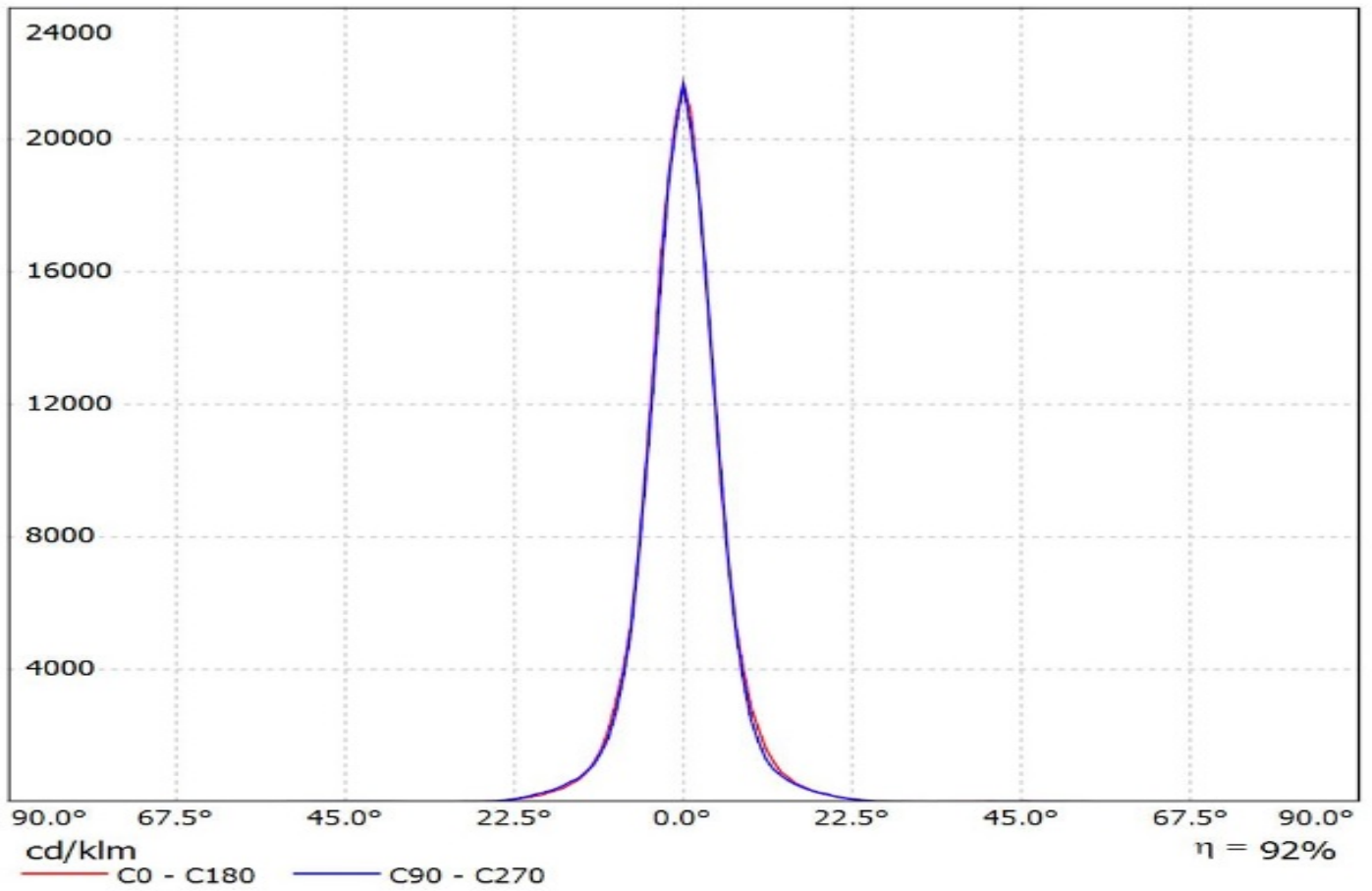


Luminaire: LEDiL Oy CA14505_G2-LXP2-RS2-P_(NVSW3x9A)

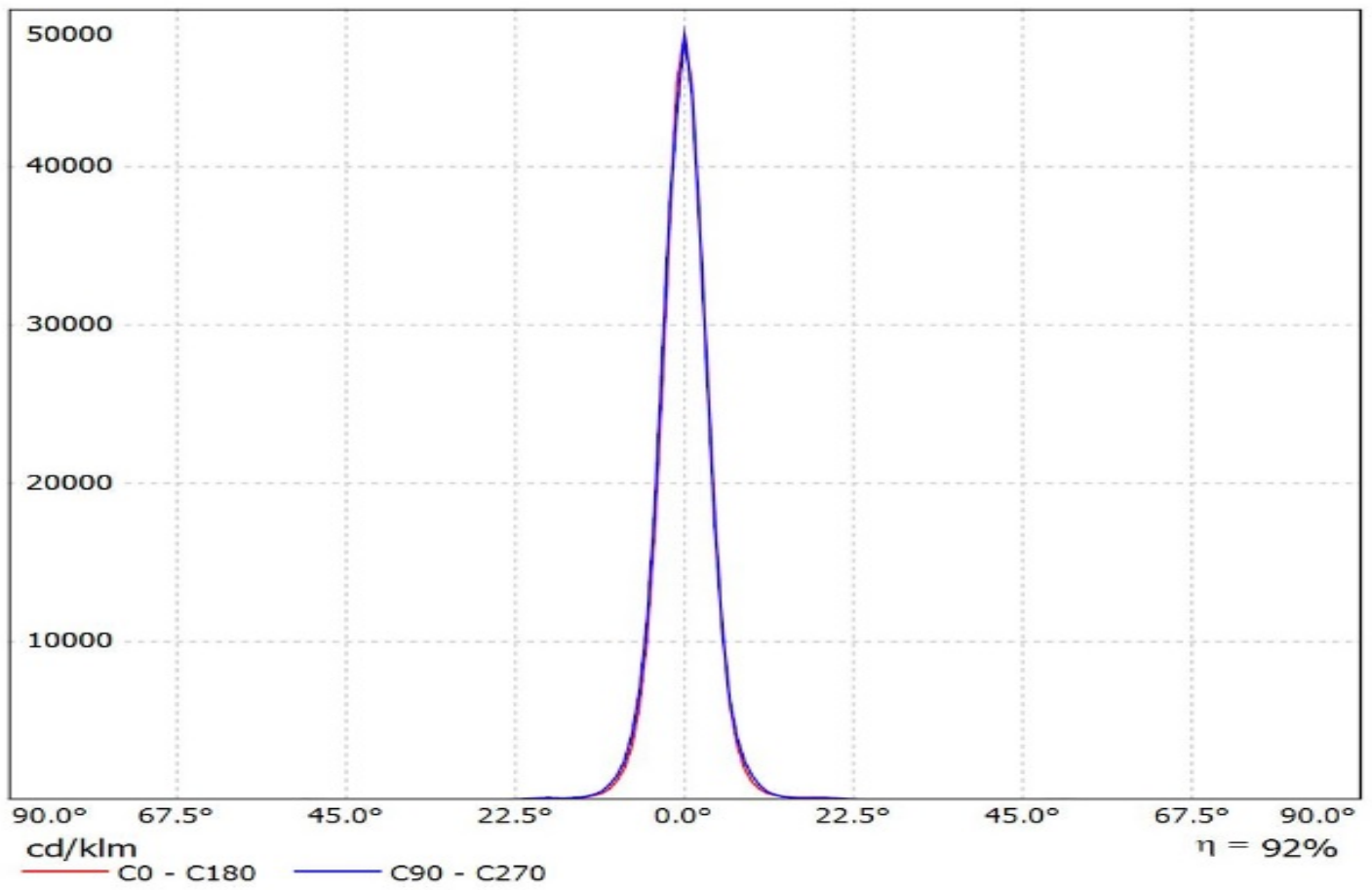
Lamps: 1 x Nichia_NVSW3x9A_(sm405/R70)_122.334lm@250mA_P=0.705435W_I=0.250A



Luminaire: Ledil Oy CA14505_G2-LXP2-RS2-P_(Oslon_Sqaure_Gen3)_SIMULATED
Lamps: 1 x Osram Oslon Square Gen 3 (GW_CSSRM2.PC)

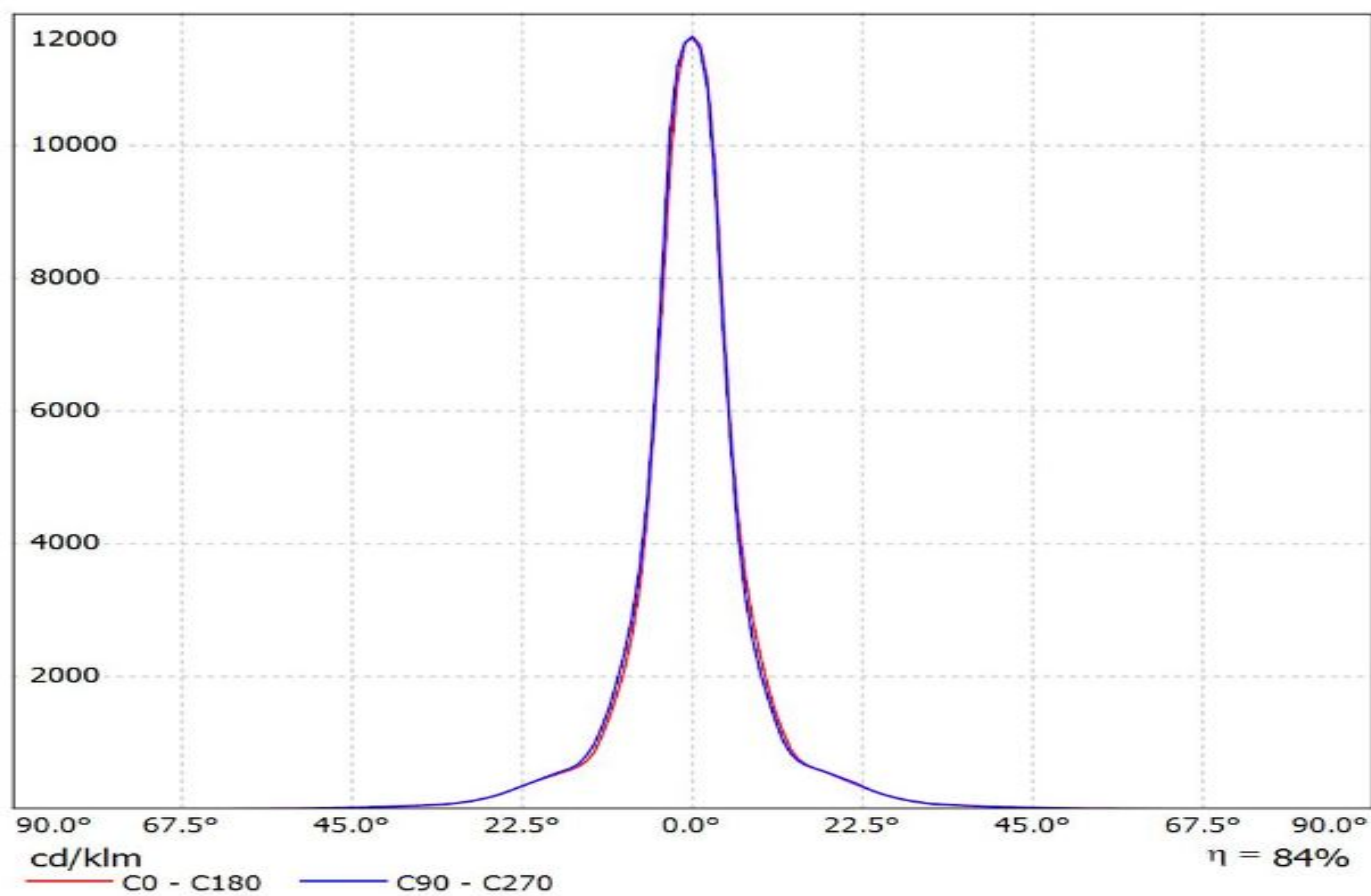


Luminaire: Ledil Oy CA14505_G2-LXP2-RS2-P_(Oslon_SSL_80)_SIMULATED
Lamps: 1 x Osram Oslon SSL 80 (LA CP7P)

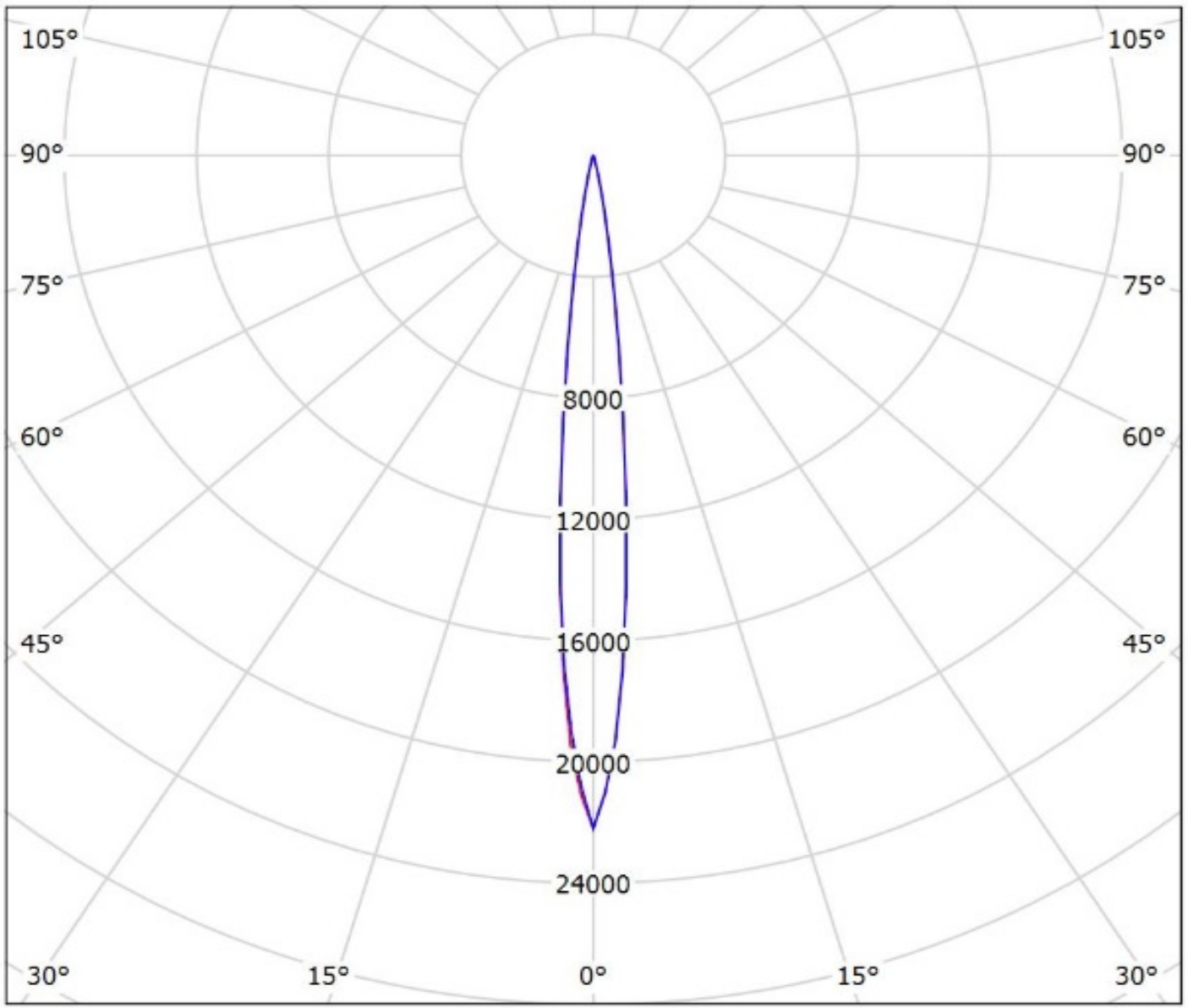


Luminaire: LEDiL Oy CA14505_G2-LXP2-RS2-P_(Z8Y22plus)

Lamps: 1 x Seoul_Z8Y22plus_(W6E2G)_125.652lm@250mA_P=0.69312W_I=0.250A



Luminaire: Ledil Oy CA14505_G2-LXP2-RS2-P_XP-G2_SIMULATED
Lamps: 1 x CREE XP-G2

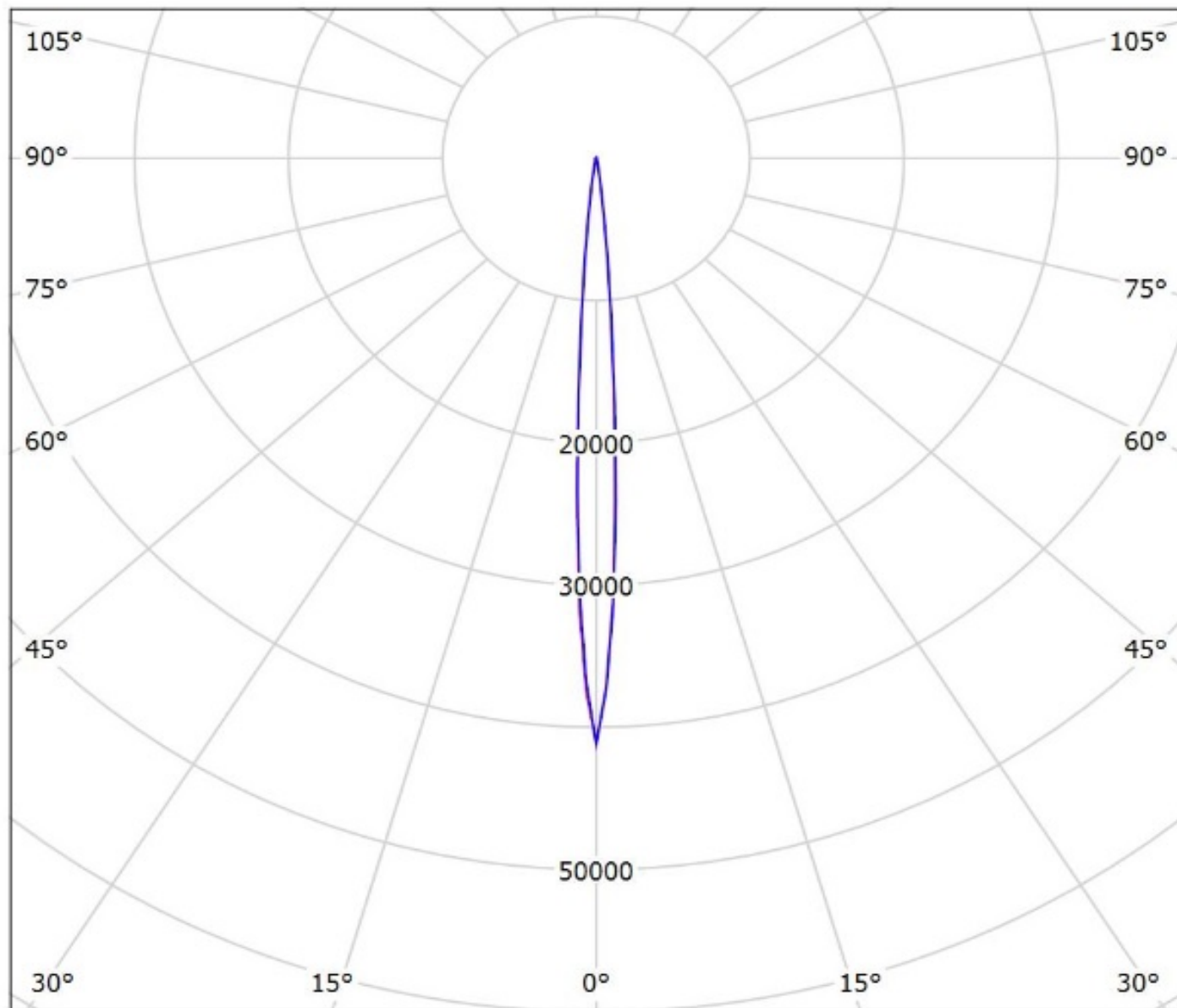


cd/klm
— C0 - C180 — C90 - C270

η = 93%

Luminaire: Ledil Oy CA14505_G2-LXP2-RS2-P_(XQ-E)_SIMULATED

Lamps: 1 x Cree XQ-E

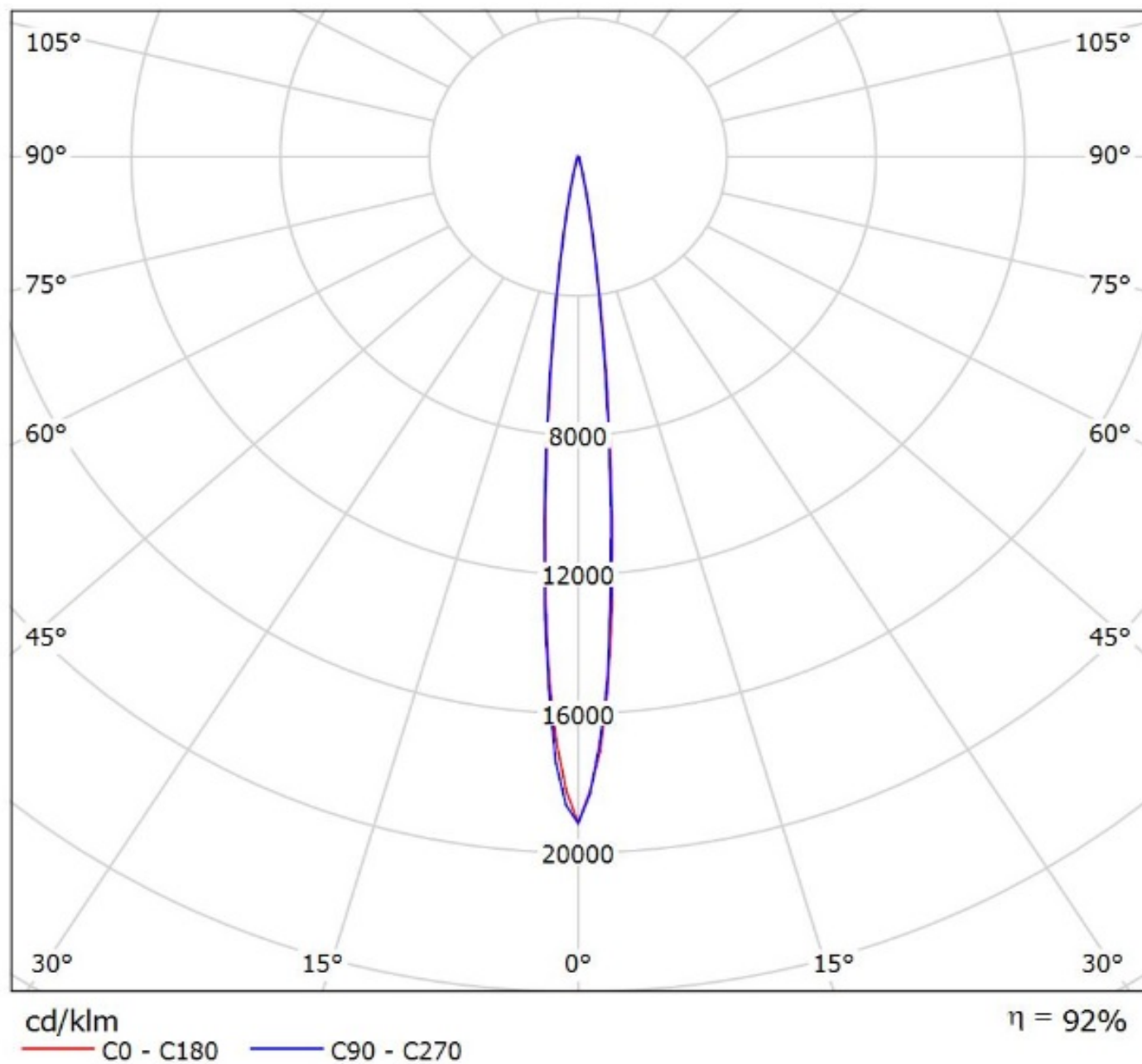


cd/klm

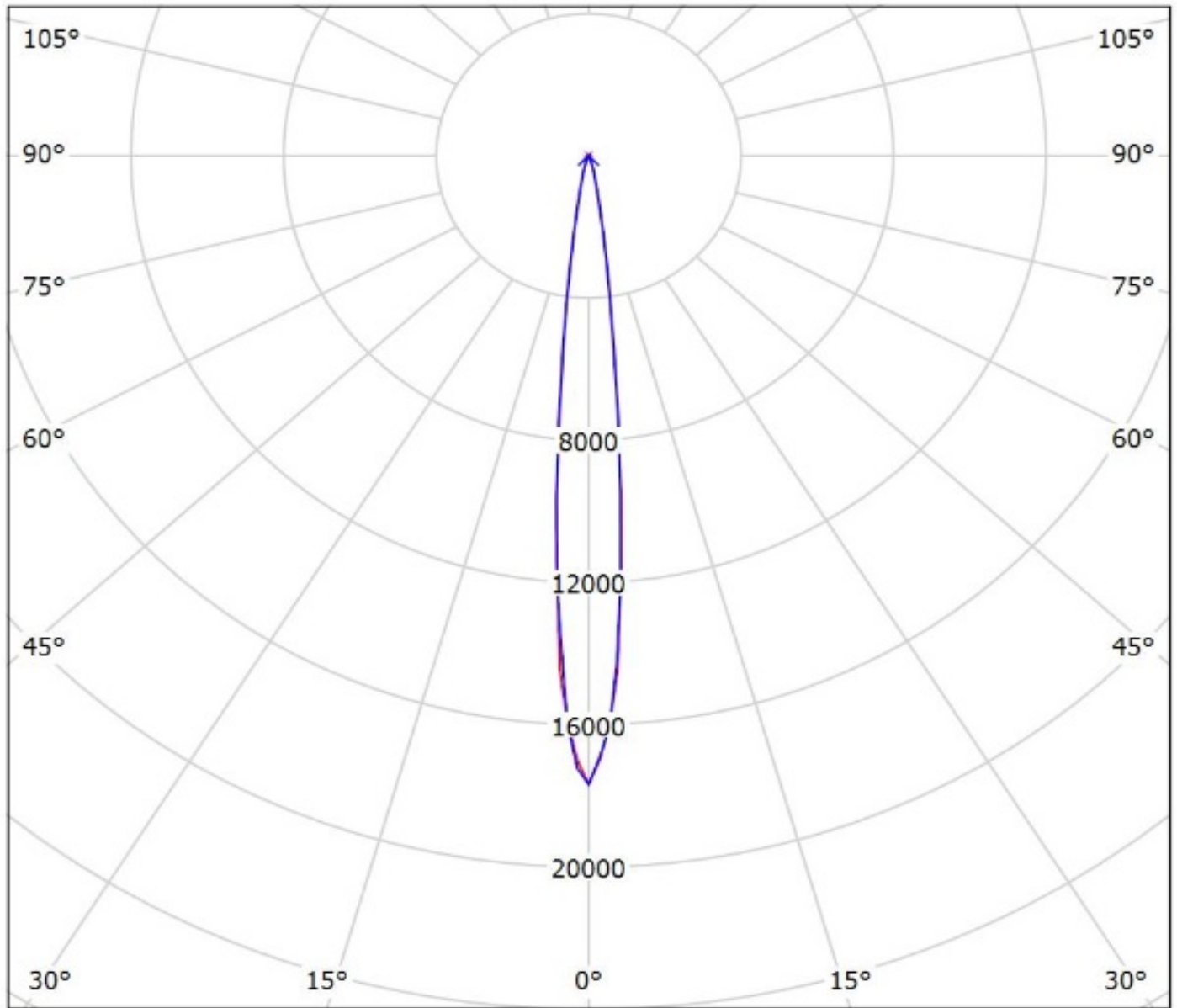
— C0 - C180 — C90 - C270

$\eta = 91\%$

Luminaire: Ledil Oy CA14505_G2-LXP2-RS2-P_(LG_H35C1)_SIMULATED
Lamps: 1 x LG H35C1



Luminaire: Ledil Oy CA14505_G2-LXP2-RS2-P_(Luxeon_T)_SIMULATED
Lamps: 1 x Lumileds Luxeon T

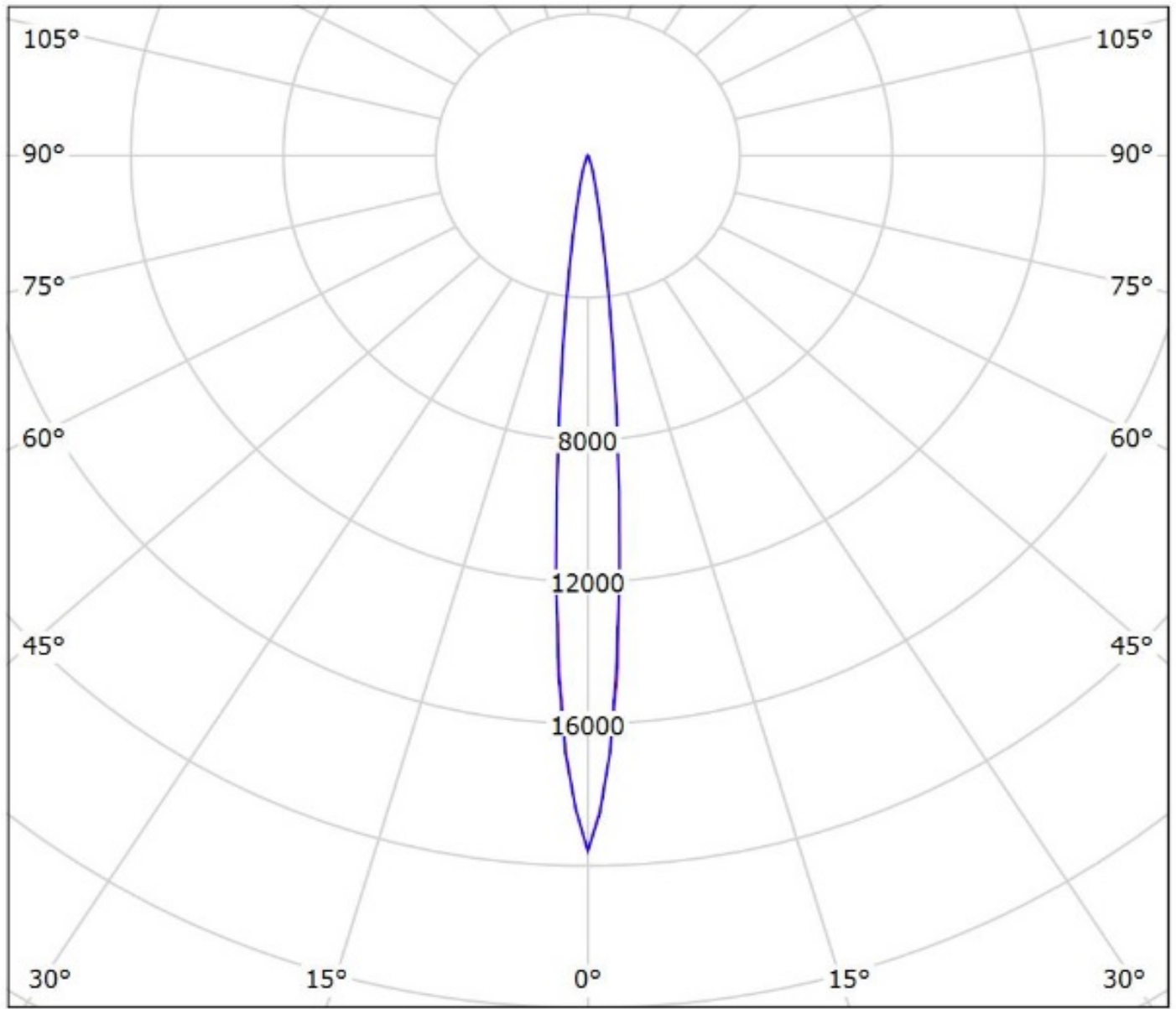


cd/klm

— C0 - C180 — C90 - C270

$\eta = 93\%$

Luminaire: Ledil Oy CA14505_G2-LXP2-RS2-P_(Luxeon_TX)_SIMULATED
Lamps: 1 x Lumileds Luxeon TX

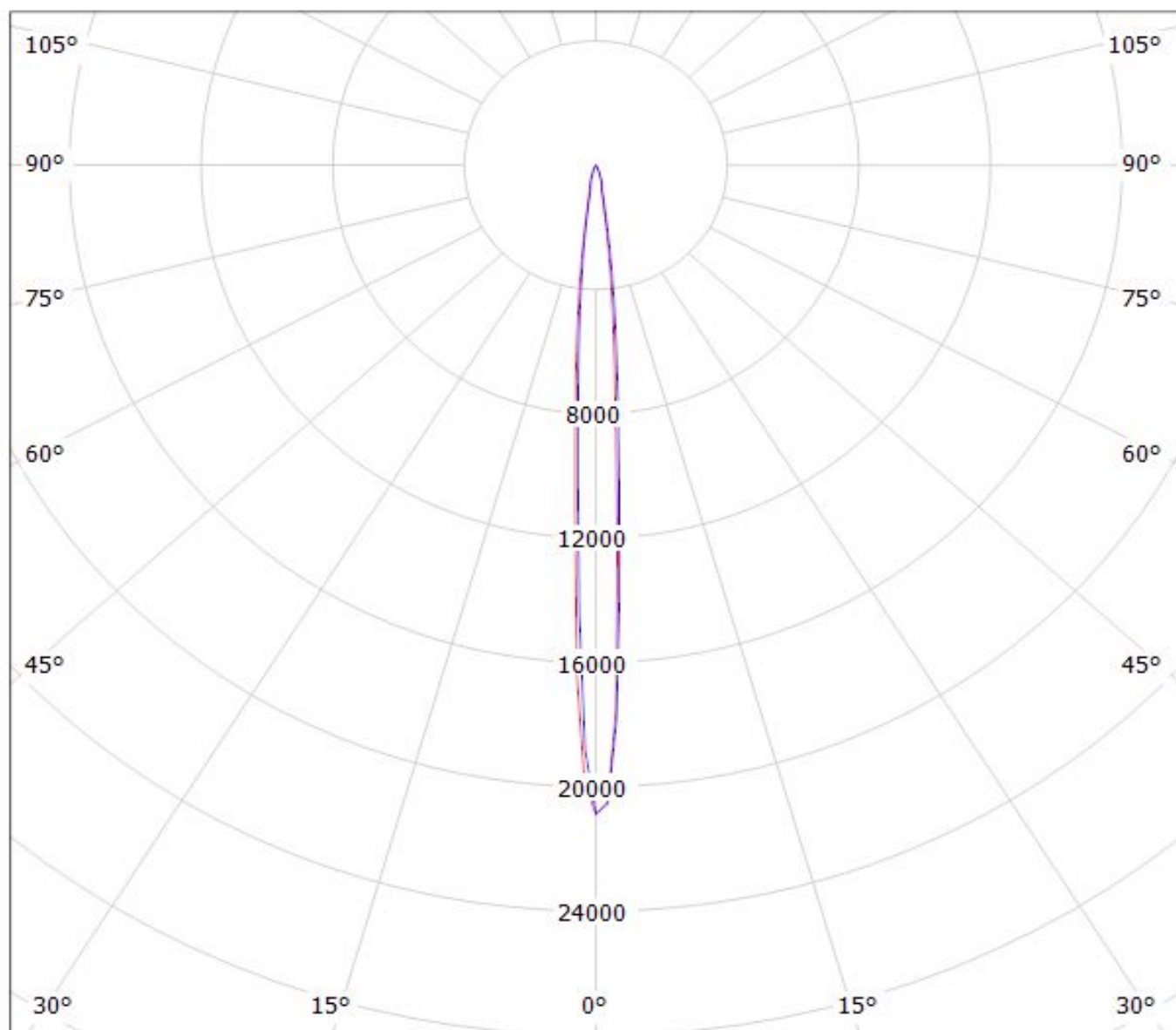


cd/klm
— C0 - C180 — C90 - C270

$\eta = 91\%$

Luminaire: LEDiL Oy CA14505_G2-LXP2-RS2-P_(Nichia_NCSxx19A)

Lamps: 1 x Nichia_NCSxx19A_66.5093lm@250mA_P=0.78701W_I=0.2499A



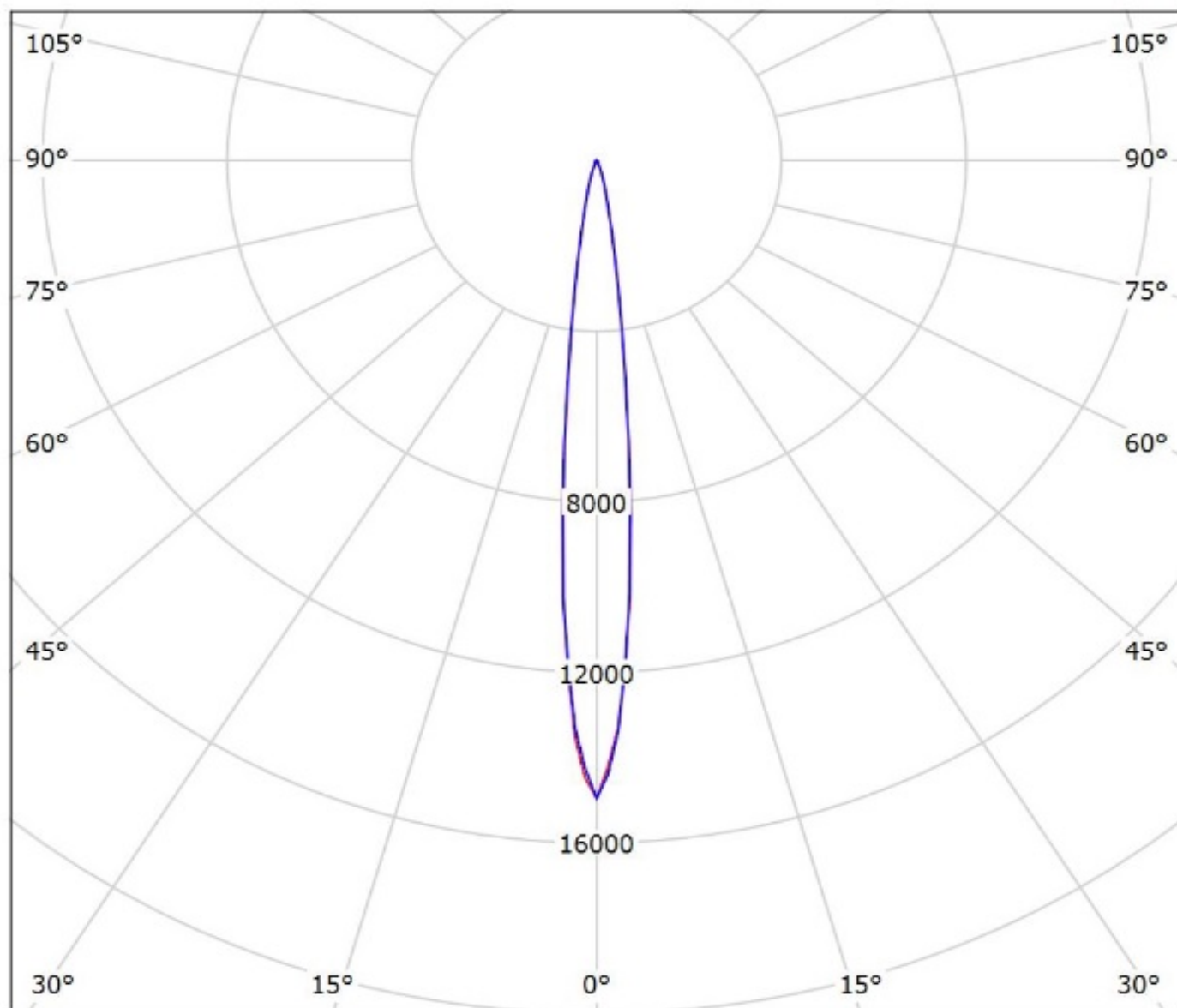
cd/klm

— C0 - C180

— C90 - C270

$\eta = 89\%$

Luminaire: Ledil Oy CA14505_G2-LXP2-RS2-P_(NVSxx19B)_SIMULATED
Lamps: 1 x Nichia NVSxx19V (NVSW219B)



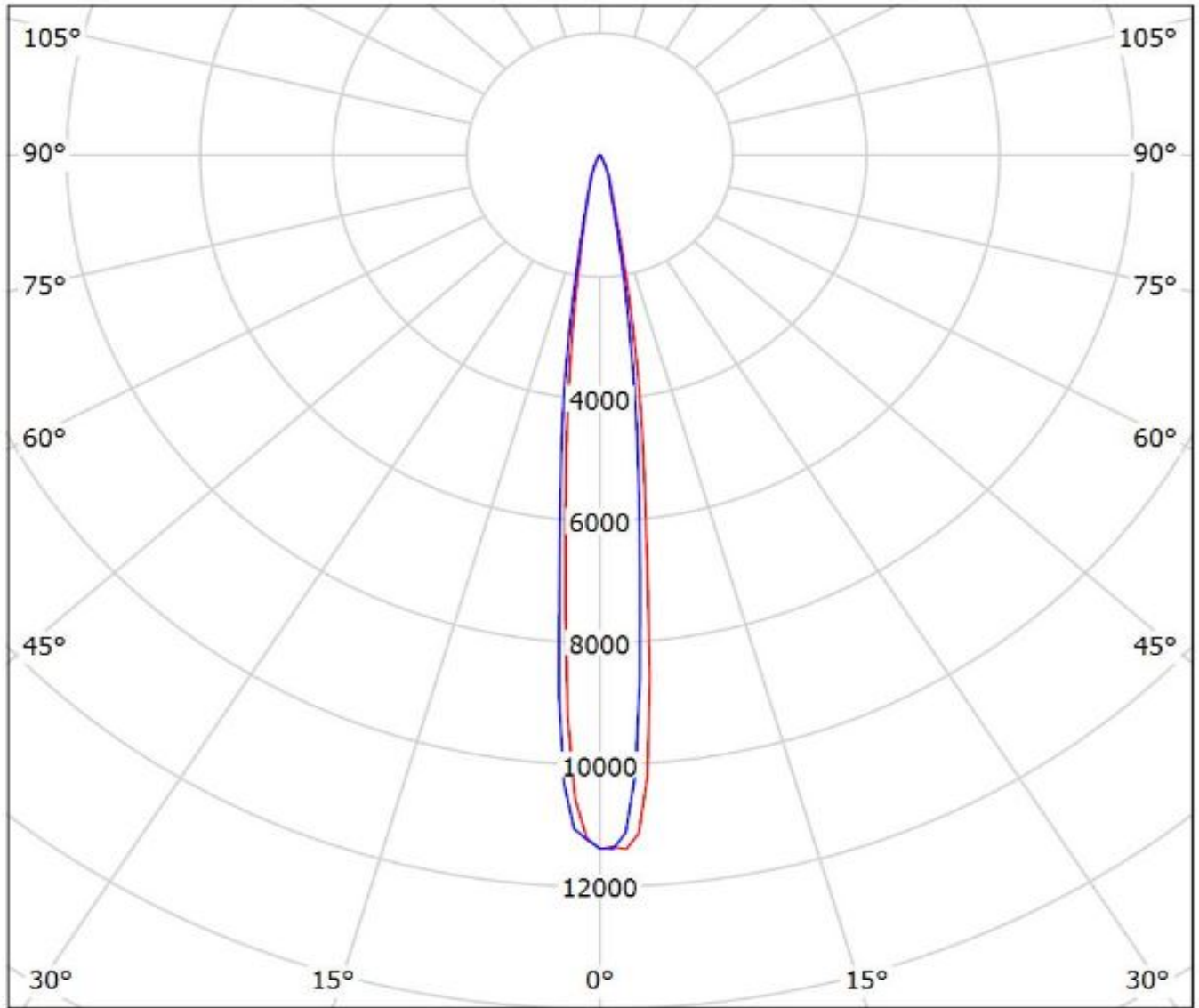
cd/klm

— C0 - C180 — C90 - C270

$\eta = 89\%$

Luminaire: LEDiL Oy CA14505_G2-LXP2-RS2-P_(NVSW3x9A)

Lamps: 1 x Nichia_NVSW3x9A_(sm405/R70)_122.334lm@250mA_P=0.705435W_I=0.250A



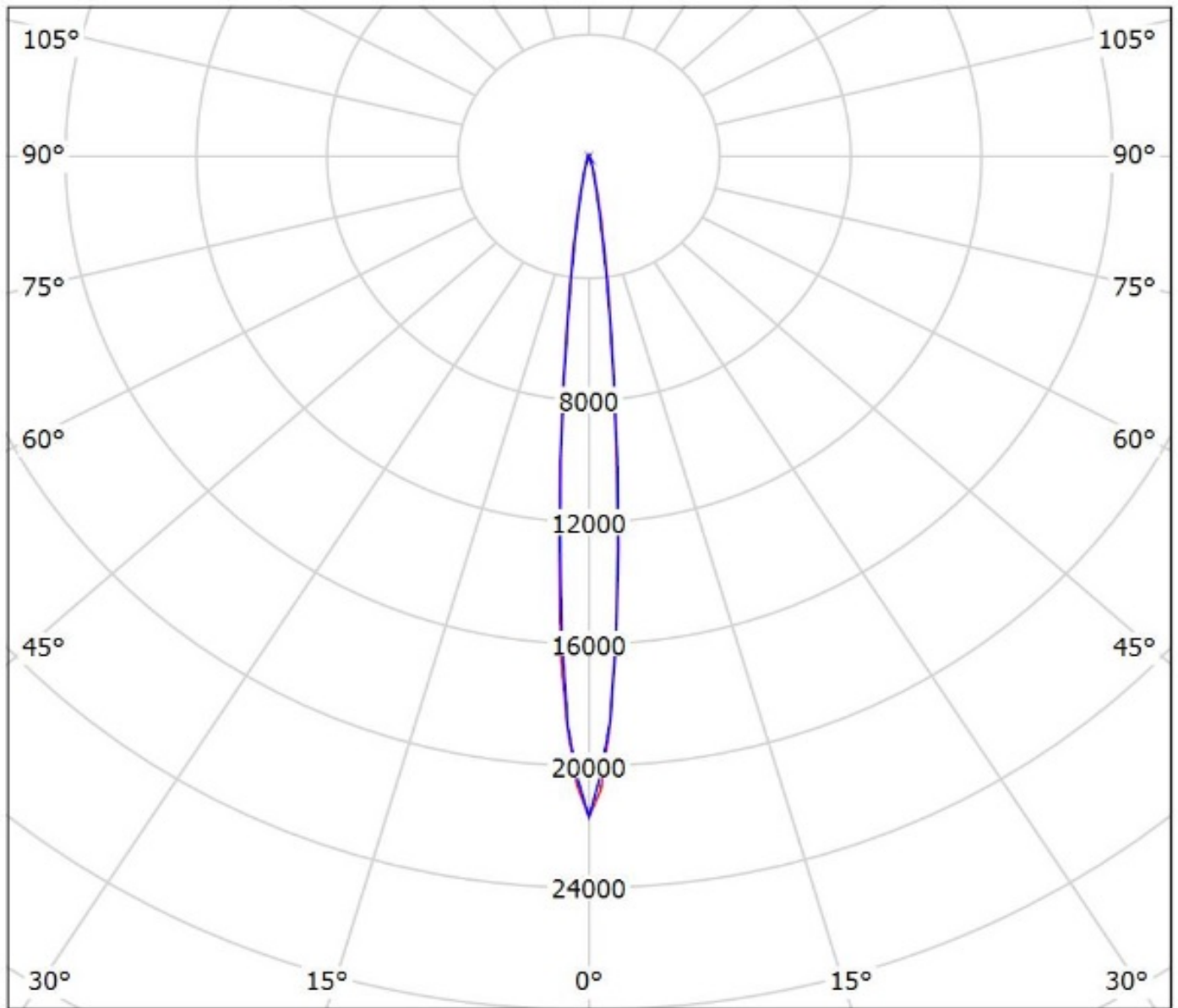
cd/klm

— C0 - C180

— C90 - C270

$\eta = 88\%$

Luminaire: Ledil Oy CA14505_G2-LXP2-RS2-P_(Oslon_Sqaure_Gen3)_SIMULATED
Lamps: 1 x Osram Oslon Square Gen 3 (GW_CSSRM2.PC)

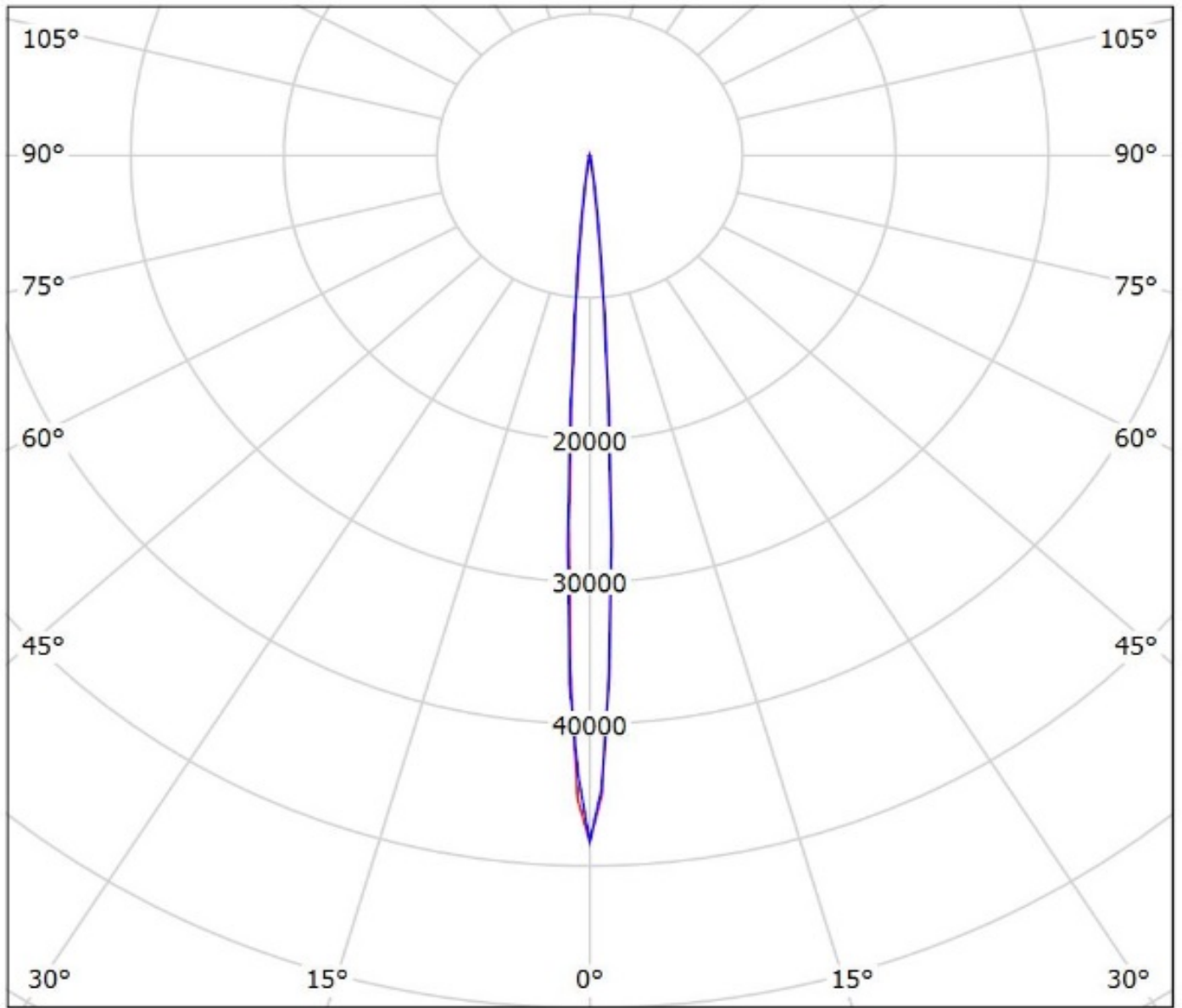


cd/klm

— C0 - C180 — C90 - C270

$\eta = 92\%$

Luminaire: Ledil Oy CA14505_G2-LXP2-RS2-P_(Oslon_SSL_80)_SIMULATED
Lamps: 1 x Osram Oslon SSL 80 (LA CP7P)

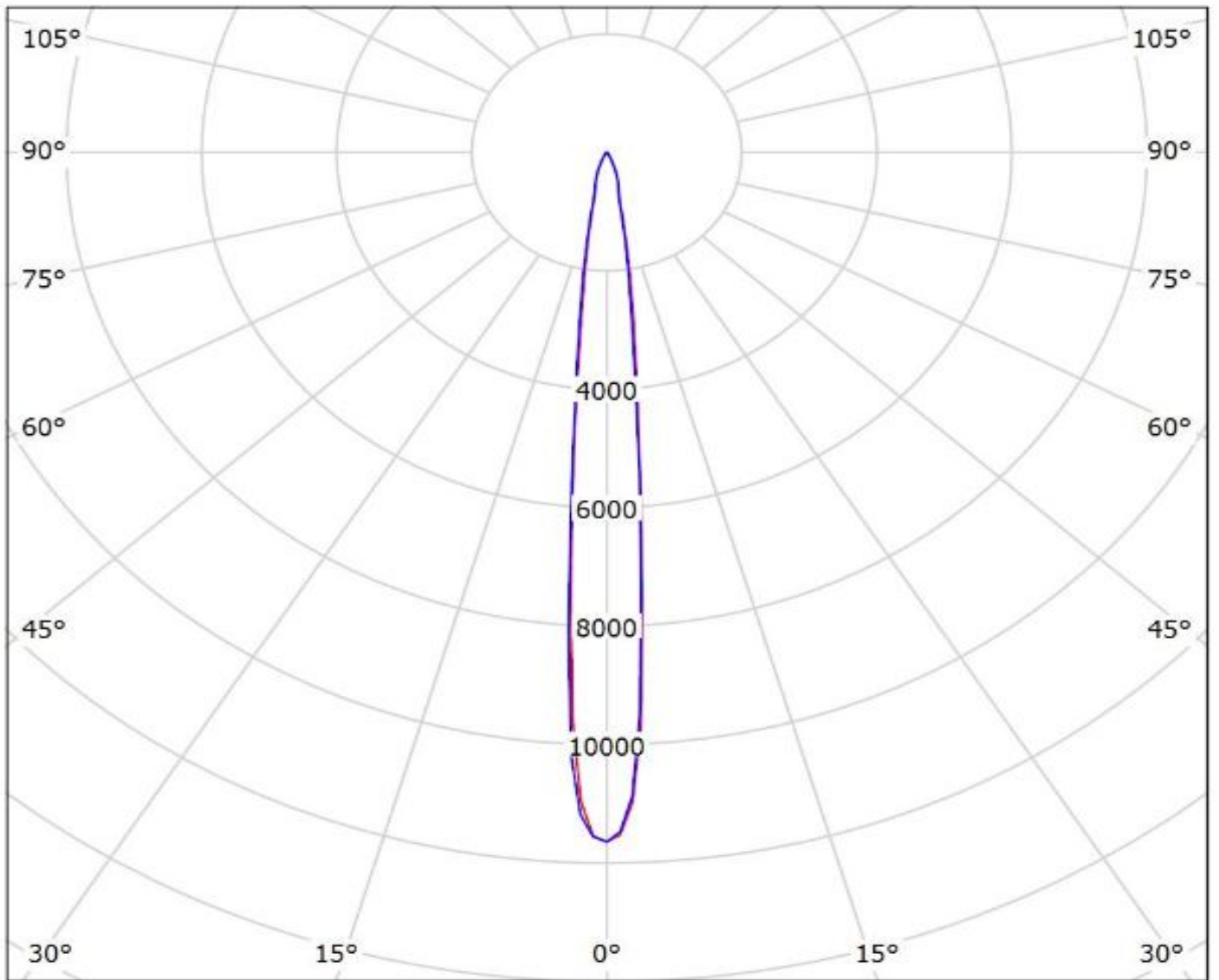


cd/klm
— C0 - C180 — C90 - C270

$\eta = 92\%$

Luminaire: LEDiL Oy CA14505_G2-LXP2-RS2-P_(Z8Y22plus)

Lamps: 1 x Seoul_Z8Y22plus_(W6E2G)_125.652lm@250mA_P=0.69312W_I=0.250A



cd/klm

— C0 - C180 — C90 - C270

$\eta = 84\%$

NOTE: The typical divergence will be changed by different color, chip size and chip position tolerance. The typical total divergence is the full angle measured where the luminous intensity is half of the peak value.