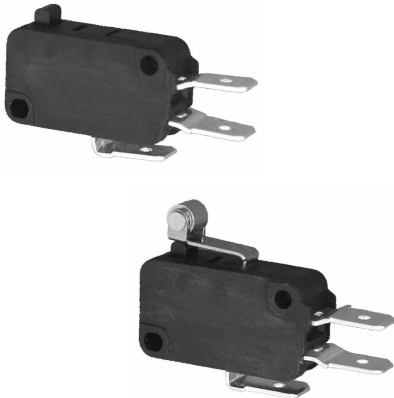


# MAB series

## Micro limit snap action switch

*Distinctive features and specifications*



- Movement differential  $\leq 0.4\text{mm}$ .
- Available in normally open, normally closed and change-over functions.
- Solder lug, quick connect, PCB, and screw terminals available.

### ELECTRICAL SPECIFICATIONS

- AC rating: 1(0.3)A...16(4)A, 250VAC
- Electrical life: 50,000 cycles min.

### MATERIALS

- Case: PBT/PET (UL94V-0)
- Actuator: Phenolic (UL94V-0)
- Contact spring: CuBe
- Terminals: CuZn Ag plated
- Contacts: AgNi

### GENERAL SPECIFICATIONS

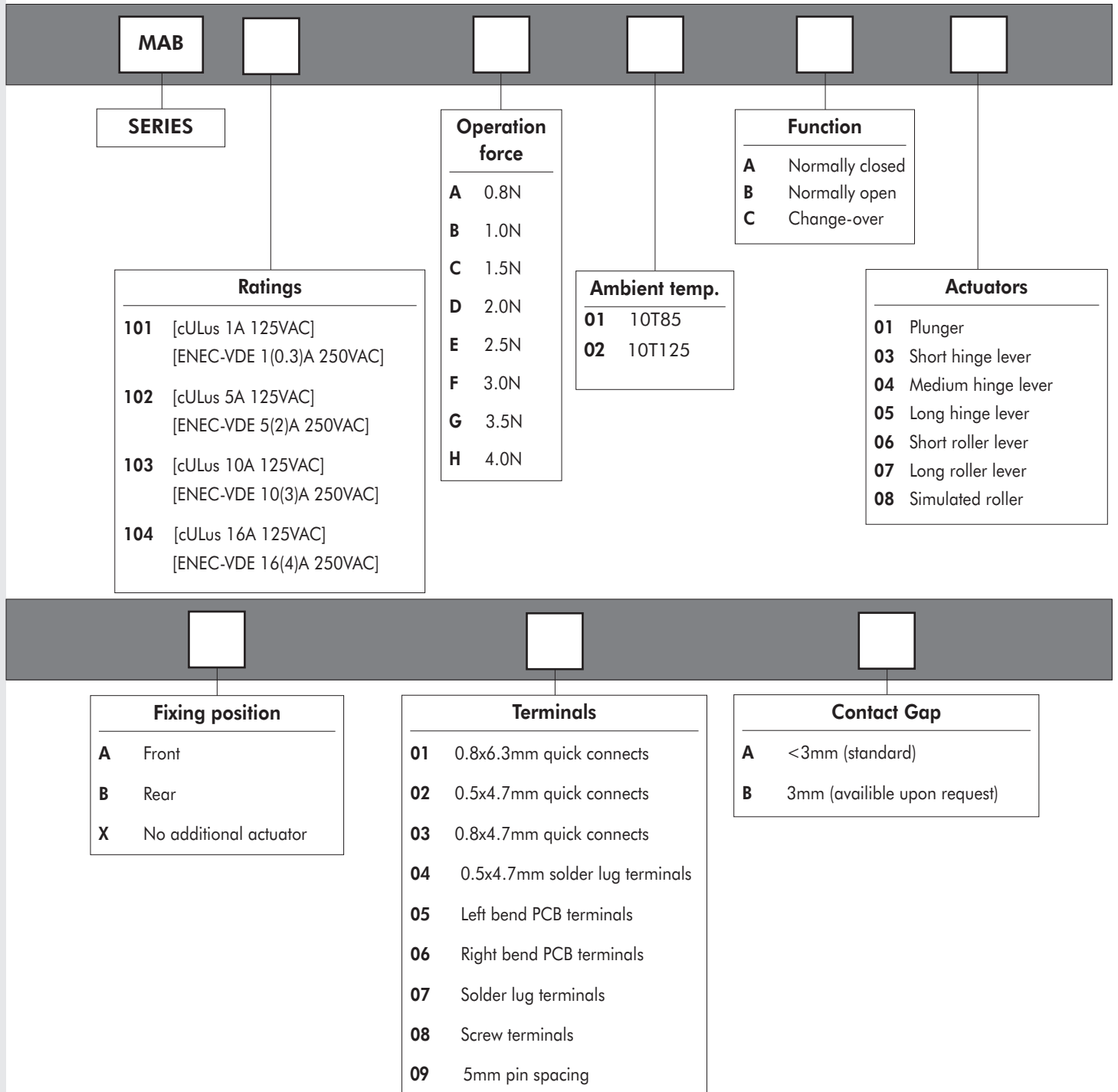
- Operating temperature:  $-10^{\circ}\text{C}$  to  $+85/125^{\circ}\text{C}$
- Pretravel:  $\leq 1.4\text{ mm}$
- Overtravel: 0.75mm min to 1.50mm max.
- Movement differential:  $\leq 0.4\text{mm}$
- Operating position:  $14.8 \pm 0.6\text{mm}$
- Contact gap:  $< 3\text{mm}$

### AGENCY APPROVALS



# MAB series

Micro limit snap action switch



## ABOUT THIS SERIES

On the following pages, you will find successively :

- model structure of switches
- options in the same order as in above chart

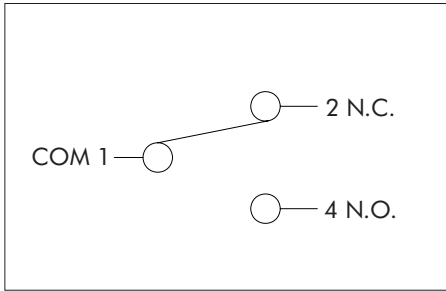
**Dimensions** : first dimensions are in mm while inches are shown as bracketed numbers.



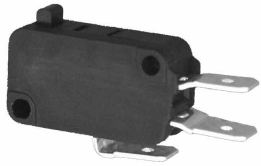
**NOTICE** : please note that not all combinations of above numbers are available. Refer to the following pages for further information.

# MAB series

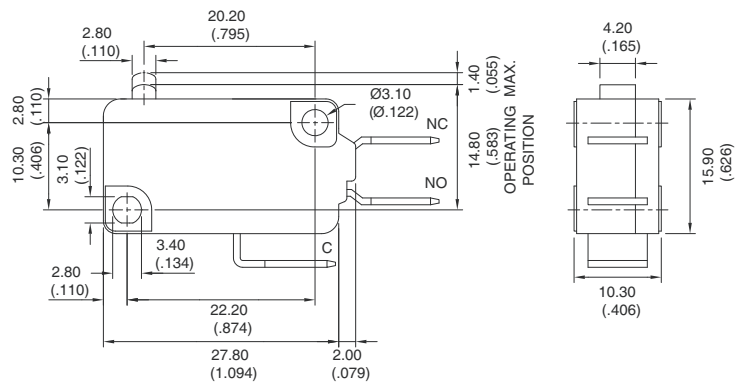
## Micro limit snap action switch



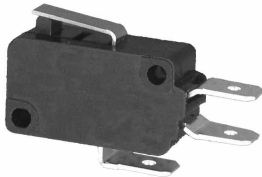
### Change-over with plunger



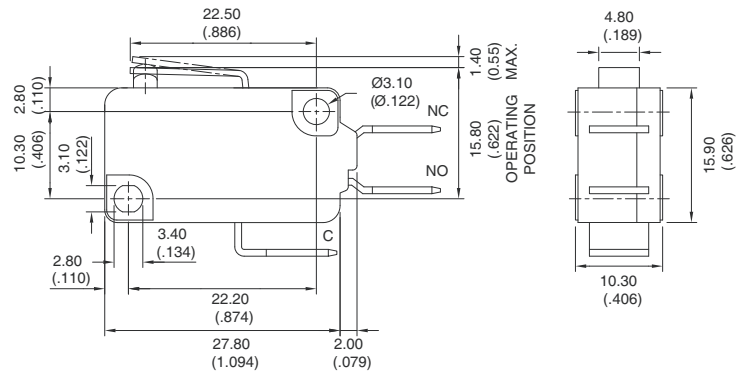
MAB C01B01



### Change-over with short hinge lever



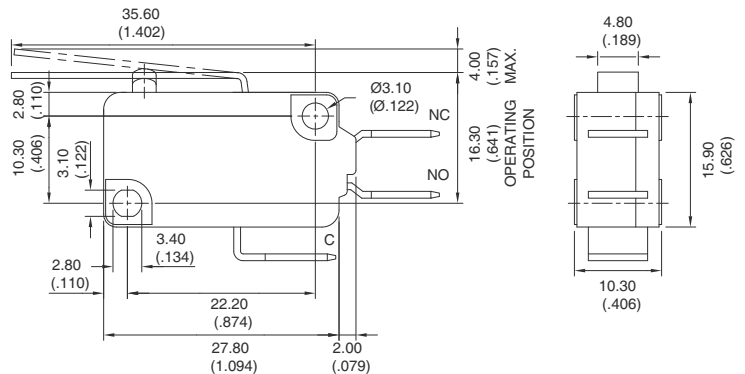
MAB C03B01



### Change-over with medium hinge lever



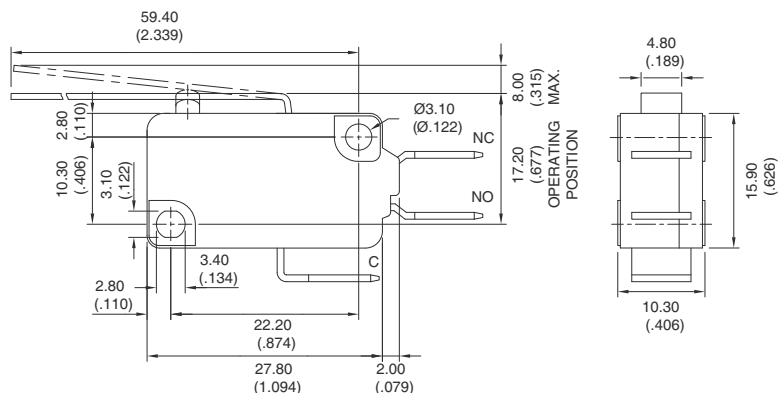
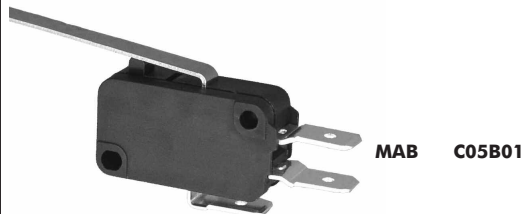
MAB C04B01



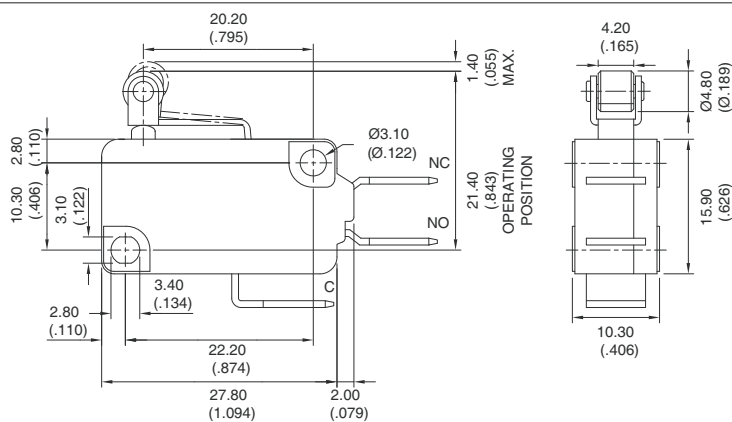
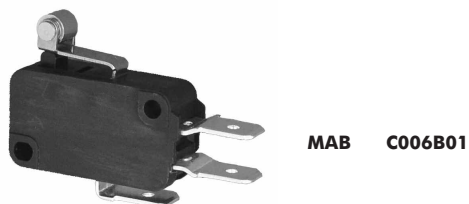
# MAB series

Micro limit snap action switch

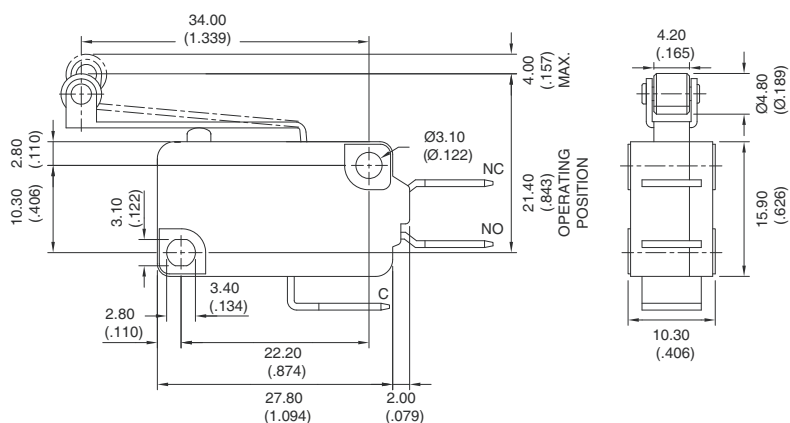
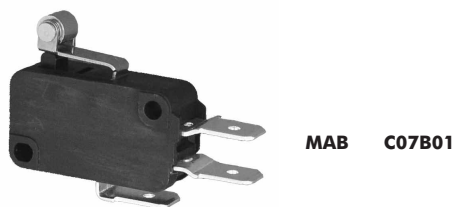
## Change-over with long hinge lever



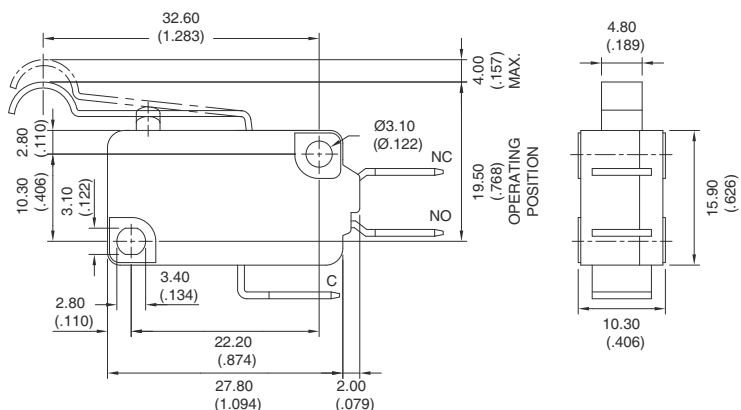
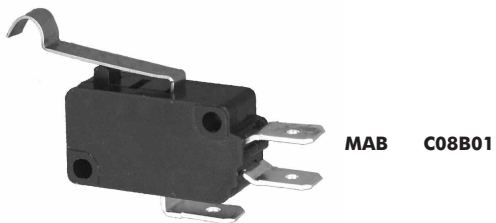
## Change-over with short roller lever



## Change-over with long roller lever



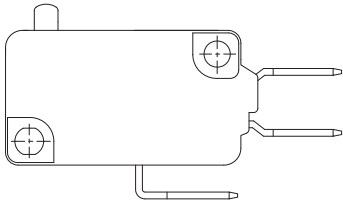
## Change-over with simulated roller



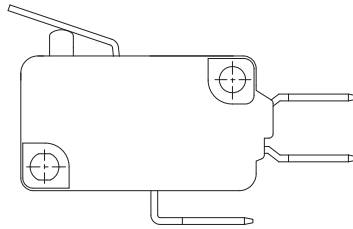
# MAB series

Micro limit snap action switch

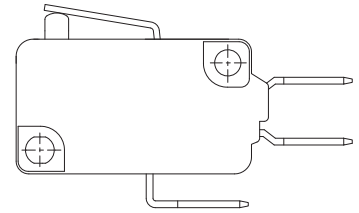
## Fixing position



**X No additional actuator**



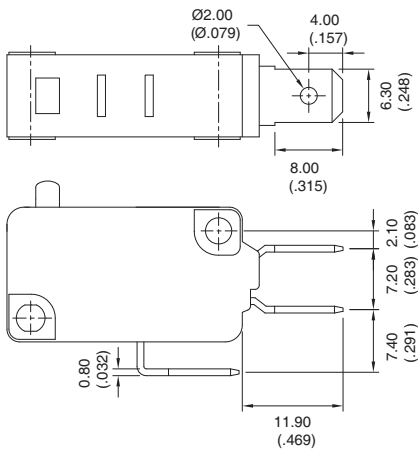
**A Front**



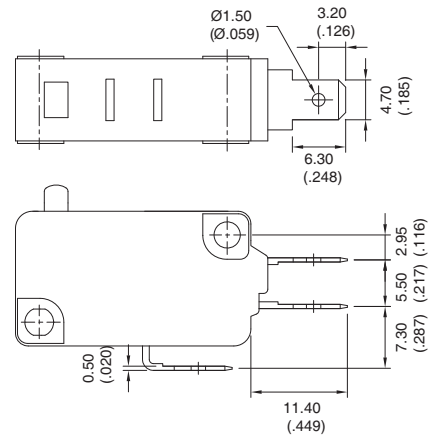
**B Rear**

## Terminal options

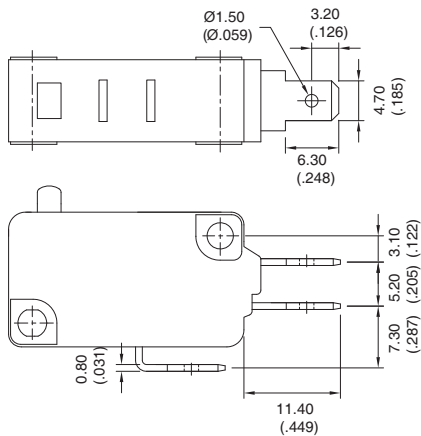
### 01 0.8x6.3mm quick connect terminals



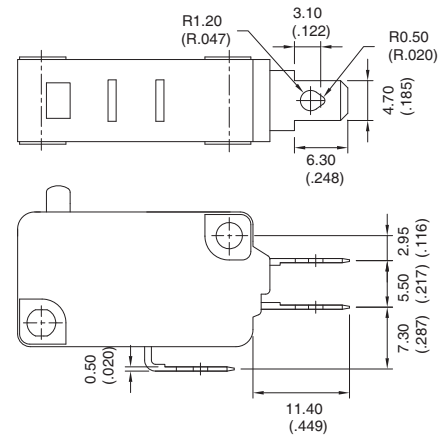
### 02 0.5x4.7mm quick connect terminals



### 03 0.8x4.7mm quick connect terminals



### 04 0.5x4.7mm solder lug terminals

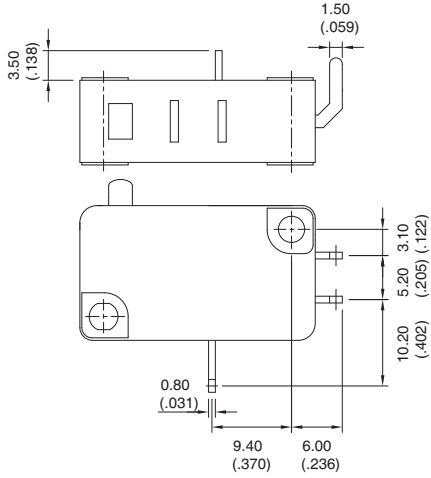


# MAB series

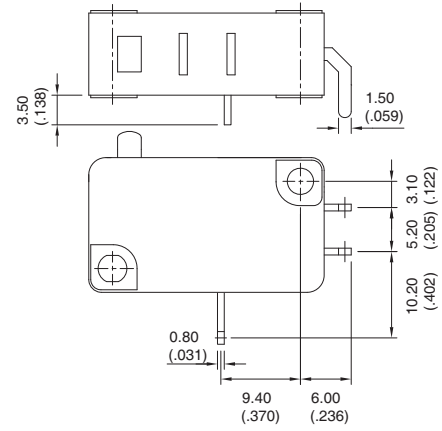
Micro limit snap action switch

## Terminal options

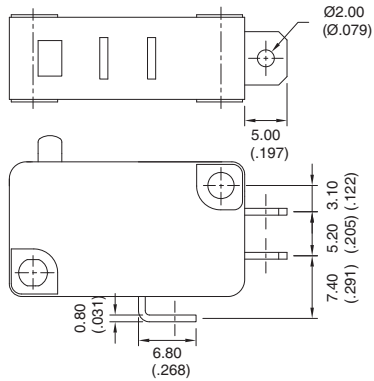
### 05 Left bend PCB terminals



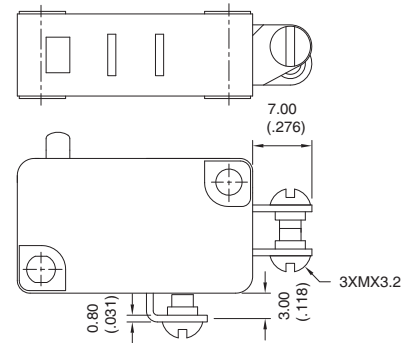
### 06 right bend PCB terminals



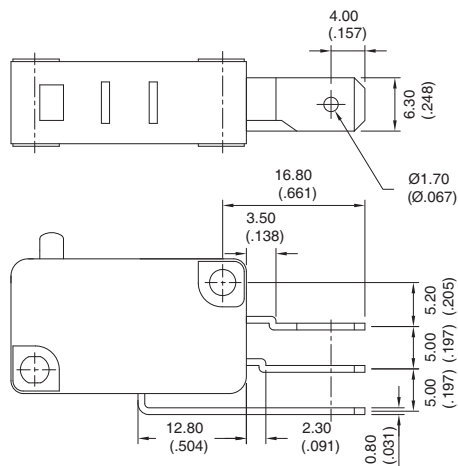
### 07 Solder lug terminals



### 08 Screw terminals



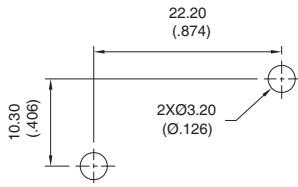
### 09 Solder lug with 5mm pin spacing



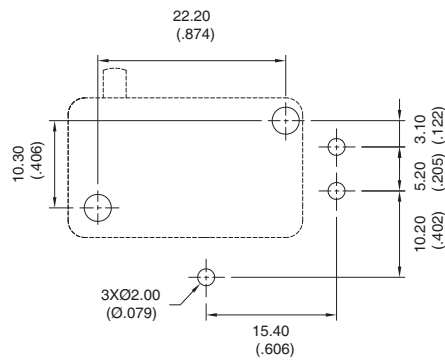
# MAB series

Micro limit snap action switch

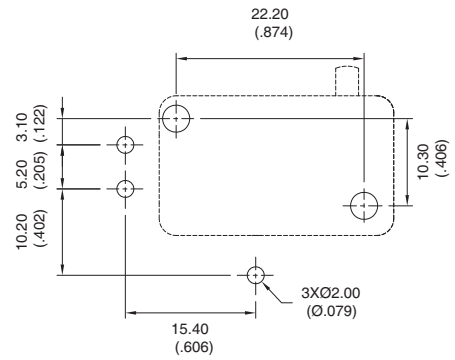
## Mounting hole dimensions



**Fixing holes**



**Left bend  
PCB terminals**



**Right bend  
PCB terminals**

# MAB series

Micro limit snap action switch

MAB	Actuator	Actuator length	Operation force on plunger (≤N)	Operation force on lever (≤N)	Pretravel mm (in)	Overtravel mm (in)	Movement differential mm (in)	Free position mm (in)	Operating position
Plunger	01	-	0.8	-	1.40 (.055)	0.75-1.50 (.030-.059)	0.40 (.016)	16.80 (.661)	14.80±0.60 (.583±.024)
			1.0	-					
			1.5	-					
			2.0	-					
			2.5	-					
			3.0	-					
			3.5	-					
4.0	-								
<b>Rear fixing position</b>									
Short hinge lever	03	22.50 (.886)	0.8	0.80	1.40 (.055)	1.00 (.039)	0.50 (.020)	17.70 (.697)	15.80±0.50 (.622±.020)
			1.0	1.00					
			1.5	1.50					
			2.0	2.00					
			2.5	2.50					
			3.0	3.00					
			3.5	3.50					
4.0	4.00								
Medium hinge lever	04	35.60 (1.402)	0.8	0.36	4.00 (.157)	2.00 (.079)	1.00 (.039)	21.50 (.847)	16.30±0.50 (.642±.020)
			1.0	0.45					
			1.5	0.70					
			2.0	0.90					
			2.5	1.15					
			3.0	1.30					
			3.5	1.60					
4.0	1.80								
Long hinge lever	05	59.40 (2.339)	0.8	0.20	8.00 (.315)	4.00 (.157)	0.20 (.079)	27.70 (1.091)	17.20±2.50 (.677±.098)
			1.0	0.25					
			1.5	0.37					
			2.0	0.50					
			2.5	0.62					
			3.0	0.75					
			3.5	0.88					
4.0	1.00								
Short roller lever	06	20.20 (.795)	0.8	0.90	1.40 (.055)	1.00 (.039)	0.40 (.016)	23.40 (.921)	21.40±0.60 (.843±.024)
			1.0	1.10					
			1.5	1.60					
			2.0	2.20					
			2.5	2.66					
			3.0	3.20					
			3.5	3.72					
4.0	4.25								
Long roller lever	07	34.00 (1.339)	0.8	0.40	4.00 (.157)	2.00 (.079)	1.00 (.039)	26.60 (1.047)	21.40±1.20 (.843±.047)
			1.0	0.50					
			1.5	0.80					
			2.0	1.00					
			2.5	1.30					
			3.0	1.60					
			3.5	1.87					
4.0	2.14								
Simulated roller lever	08	32.60 (1.283)	0.8	0.43	4.00 (.157)	2.00 (.079)	1.00 (.039)	24.70 (.972)	19.50±1.20 (.768±.047)
			1.0	0.54					
			1.5	0.81					
			2.0	1.08					
			2.5	1.35					
			3.0	1.62					
			3.5	1.89					
4.0	2.16								



# MAB series

Micro limit snap action switch

Front fixing position									
MAB	Actuator	Actuator length	Operation force on plunger ( $\leq N$ )	Operation force on lever ( $\leq N$ )	Pretravel mm (in)	Overtravel mm (in)	Movement differential mm (in)	Free position mm (in)	Operating position
Short hinge lever	03	28.20 (1.110)	0.8	0.65	3.20 (.126)	1.50 (.059)	0.80 (.031)	19.70 (.776)	16.40±1.00 (.646±.03)
			1.0	0.79					
			1.5	1.20					
			2.0	1.60					
			2.5	2.00					
			3.0	2.40					
			3.5	2.80					
4.0	3.20								
Medium hinge lever	04	41.20 (1.622)	0.8	0.45	6.20 (.244)	3.00 (.118)	1.20 (.047)	25.50 (1.004)	17.80±1.50 (.701±.059)
			1.0	0.54					
			1.5	0.85					
			2.0	1.10					
			2.5	1.38					
			3.0	1.70					
			3.5	1.95					
4.0	2.20								
Long hinge lever	05	64.90 (2.555)	0.8	0.28	11.70 (.461)	4.50 (.177)	2.00 (.079)	34.70 (1.366)	20.50±2.50 (.807±.098)
			1.0	0.35					
			1.5	0.52					
			2.0	0.70					
			2.5	0.87					
			3.0	1.05					
			3.5	1.22					
4.0	1.40								
Short roller lever	06	25.60 (1.008)	0.8	0.69	2.40 (.094)	1.50 (.059)	0.80 (.031)	25.50 (1.004)	22.50±0.60 (.886±.024)
			1.0	0.87					
			1.5	1.30					
			2.0	1.74					
			2.5	2.17					
			3.0	2.60					
			3.5	3.00					
4.0	3.48								
Long roller lever	07	39.40 (1.551)	0.8	0.45	5.60 (.197)	2.50 (.098)	1.20 (.047)	30.80 (1.213)	24.00±1.20 (.945±.047)
			1.0	0.56					
			1.5	0.84					
			2.0	1.12					
			2.5	1.40					
			3.0	1.68					
			3.5	1.95					
4.0	2.25								
Simulated roller lever	08	38.20 (1.504)	0.8	0.47	5.60 (.197)	2.50 (.098)	1.20 (.047)	27.60 (1.087)	20.80±1.20 (.819±.047)
			1.0	0.59					
			1.5	0.88					
			2.0	1.18					
			2.5	1.47					
			3.0	1.76					
			3.5	2.06					
4.0	2.35								