

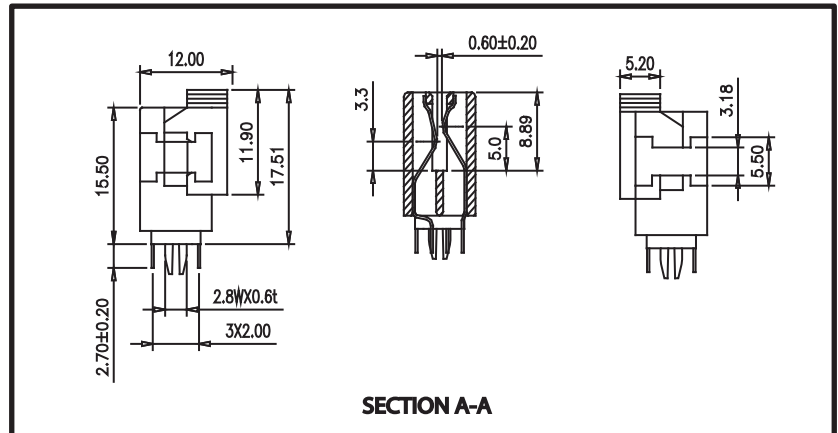
1.00mm CONTACT CENTERS [AGP] WITH LOCKING FEATURE

INSULATOR MATERIAL	T	P	W	E	066	DKHN	-T6	MODIFICATION
T = PBT								T6 = AGP WITH LOCKING FEATURE
CONTACT MATERIAL								
P = Phosphor Bronze								
R = Brass								
PLATING								DKHN = Dual Row Cantilever Contacts, no Mounting Ears
Contact Surface	Termination	Underplate						
Z = .000010" Gold	.000100" Tin	.000050" Nickel						
X = .000030" Gold	.000100" Tin	.000050" Nickel						
W = .000005" Gold	.000100" Tin	.000050" Nickel						
CONTACT CENTERS								
E = 1.00 mm								

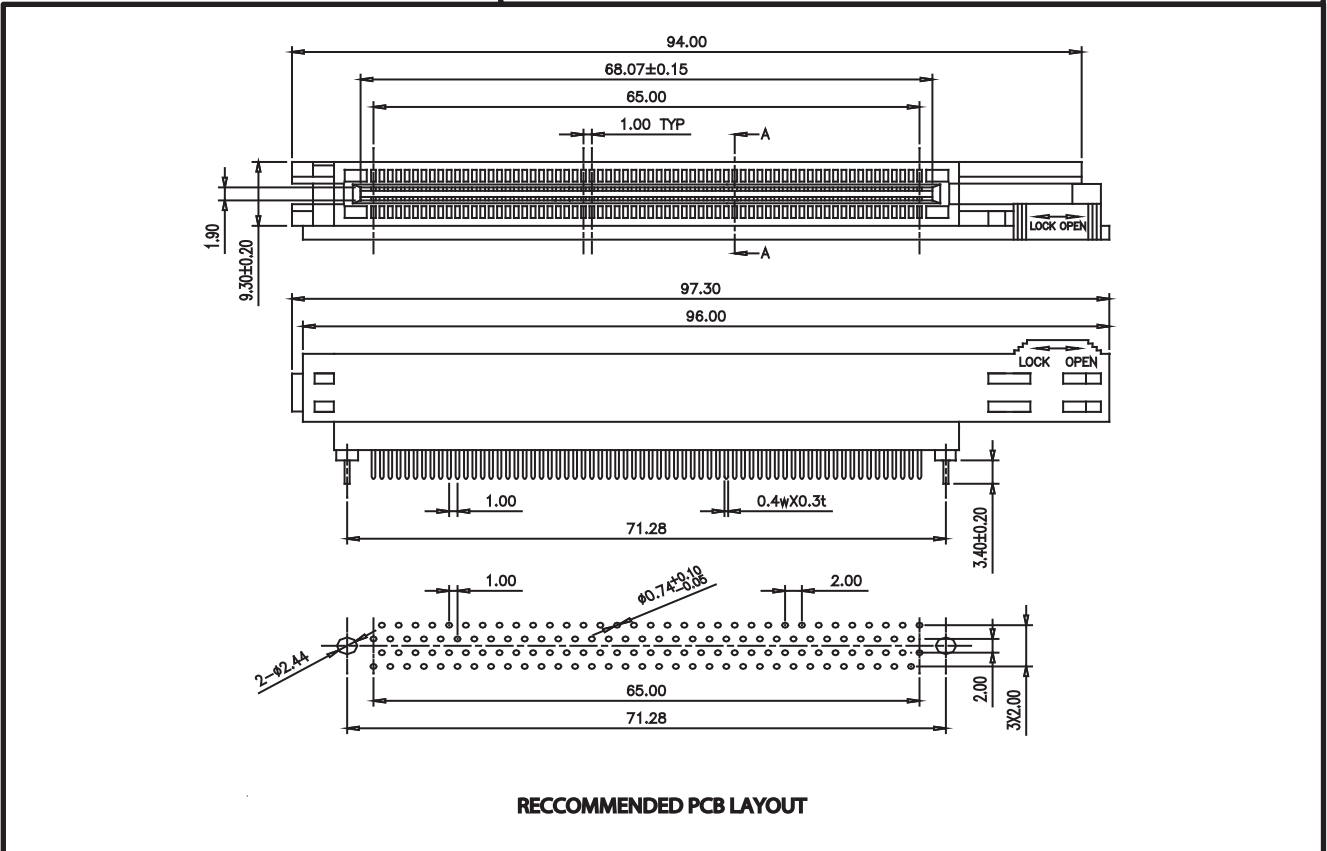
FEATURES

- * Cantilever Contacts
- * Patent locking feature
- * Accommodates .062 ± .008" PC board
(Consult factory for other board thicknesses)
- * PPS, PCT or PBT insulator
- * Molded-in key
- * 1 amp current rating
- * 150 grams normal force minimum

Dimensions are in millimeters



SECTION A-A



RECOMMENDED PCB LAYOUT