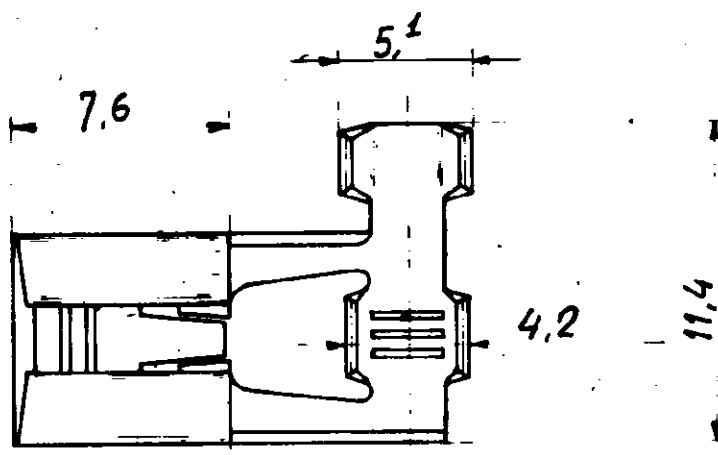


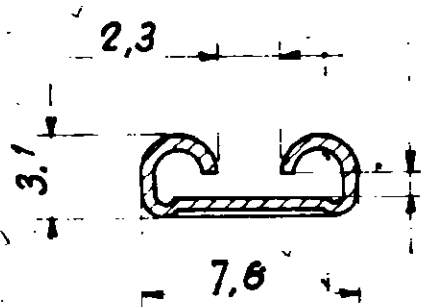
OBSOLETE ▲

C. 180433

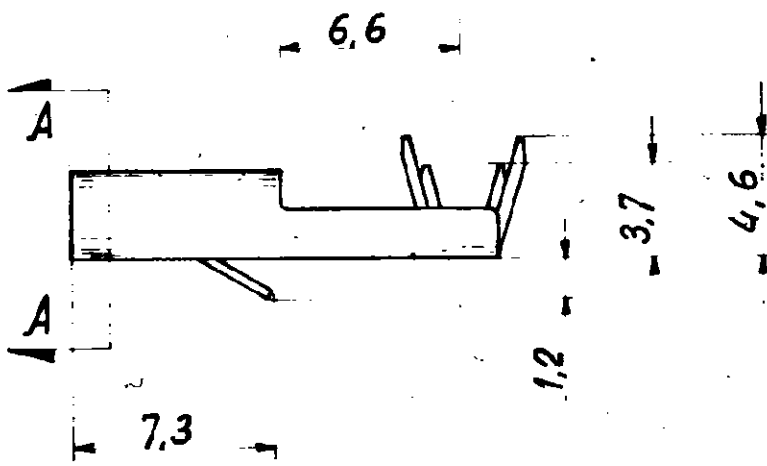
N.° Part.	Materiale
<del>180433-1</del>	<del>Ottone</del> ▲
180433-2	Ottone stagnato.
<del>180433-3</del>	<del>Ottone argentato</del> ▲
180433-4	Bronzo fosforoso.
<del>180433-5</del>	<del>Bronzo fosf. stagno</del> ▲
<del>180433-6</del>	<del>Bronzo fosf. argent.</del> ▲



Adatto per linguetta di sp. 0,8



Sez. A-A



DIMENSIONS IN MM DO NOT SCALE PRINT

© 1972 BY AMP INCORPORATED. ALL RIGHTS RESERVED. AMP PRODUCTS COVERED BY PATENTS AND/OR PATENTS PENDING.

CUSTOMER COPY  
REFERENCE ONLY

MATERIAL AND FINISH  
*Vedi tabella*



AMP ITALIA  
VIA CERVI 18  
COLLENO (TORINO)

CLASS .250 Series

WIRE RANGE INSULATION TYPE  
1-2,5 mm<sup>2</sup> | 3-4,3 Dia. F.F.

TOLERANCE EXCEPT AS NOTED  
± 0,1

SCALE 4:1

LOC I A

NO C-180433

REV A

"250" Series Flag Fastin-on Rec.-L.P.

REV	REVISION RECORD	BY	CHK	DATE
A	Revised For E100-0000-34	PS		10/3/76
1)	Done 2/9/76			

PRINT DATE