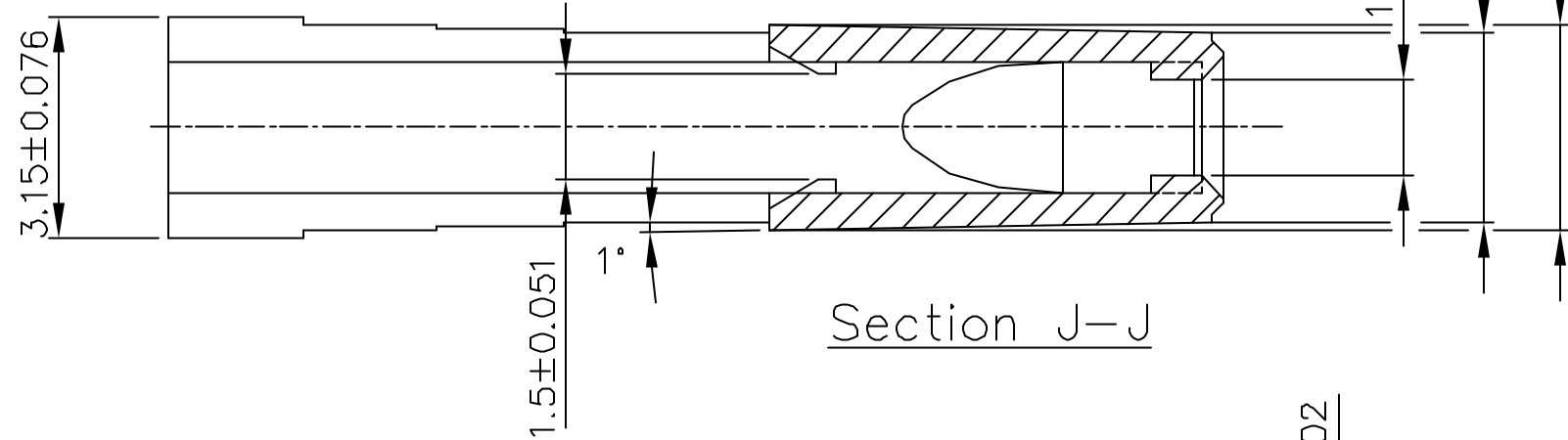
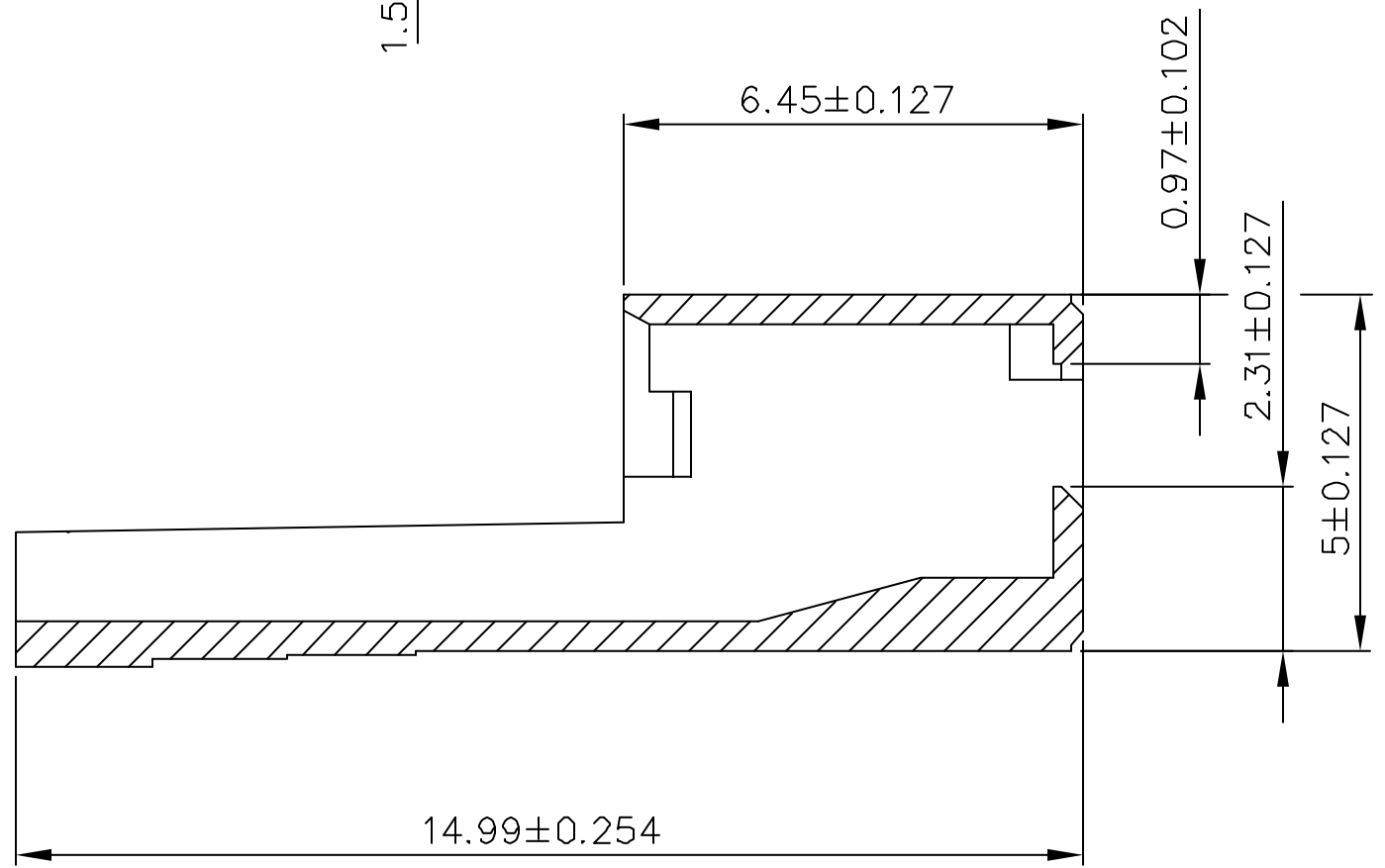
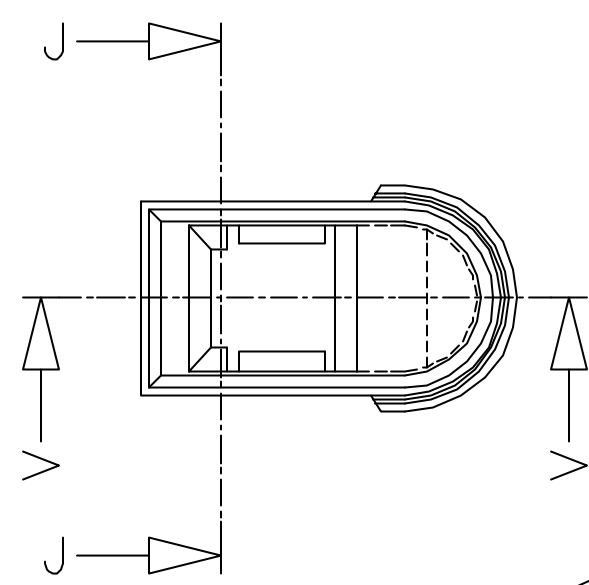


Product number
65076-001(LF)

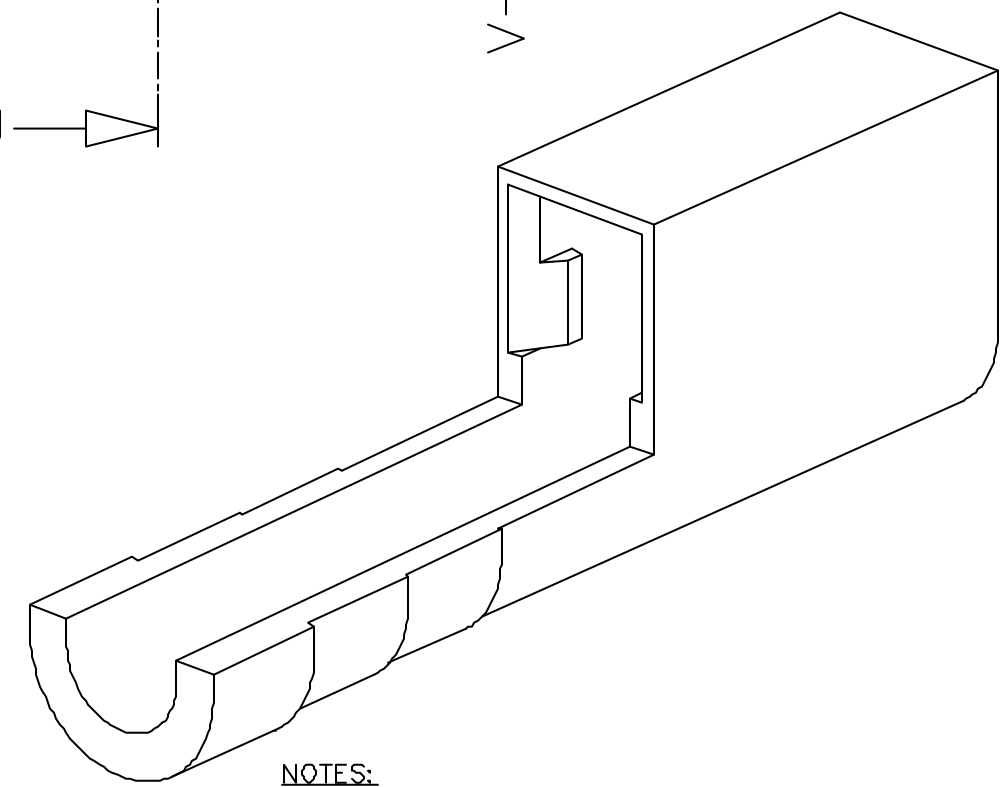
WHEN NEEDED, SUFFIX LETTER "LF"
INDICATES THE PRODUCT IS RoHS
COMPLIANT, SEE NOTES



Section J-J



Section V-V



NOTES:
 MATERIAL : POLYPHENYLENE OXYDE, COLOUR : BLACK.
 RoHS COMPATIBLE PRODUCT SPECIFICATIONS
 a - LABELING:
 - MEETS PACKAGING SPECS AS PER GS-14-920
 b - LEGAL STATEMENT: SEE GS-22-008
 THE PRODUCT IS NOT INTENDED TO BE EXPOSED TO A
 MANUFACTURING SOLDER PROCESS.

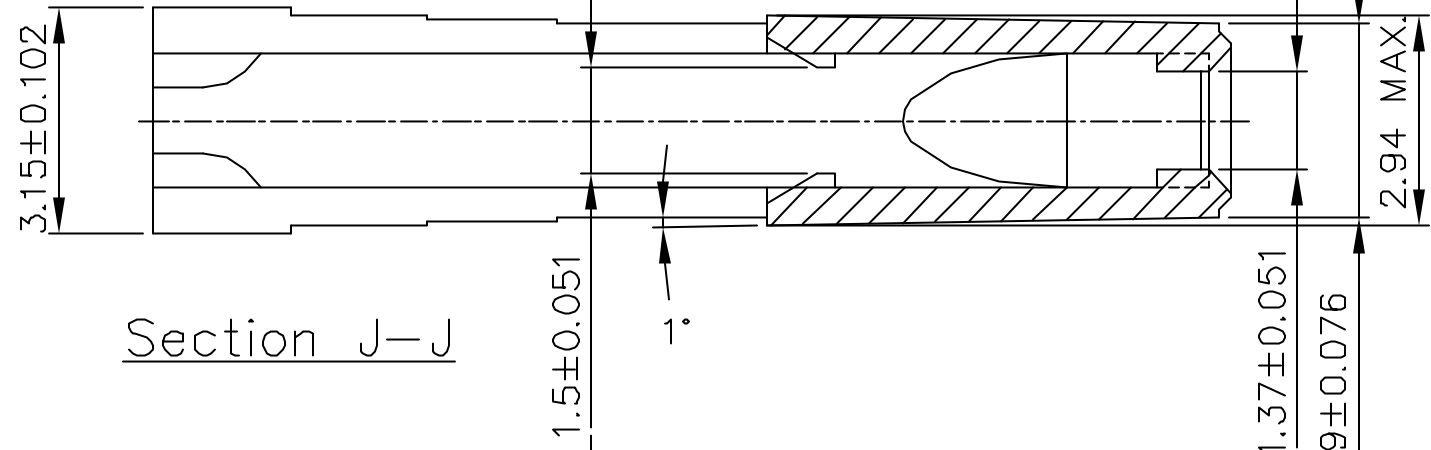
mat'l. code		surface		tolerance		projection		product family	
SEE NOTE 1.		ISO 1302 ✓		ISO 406 ISO 101		101			
ltr	ecn no	dr	date	tolerances unless otherwise specified		mm		title	
D	H30301	JvZ	930420	angles	linear	scale 10:1		JUMBO P.V. HOUSING	
E	F00405	VIB	000515					dwg no	
F	05-0235	DLE	05.08.24					sheet 1 of 3	
G	F05-0286	DLE	05.11.07	dr	J.v.Zelst	930420		size	
H	F06-0218	DLE	06.07.11	enr				65076	
				chr	M.Loman	930420		A3	
				app				type Product Customer Drawing	
sheet index	revision sheet	H	H	E					
		1	2	3					



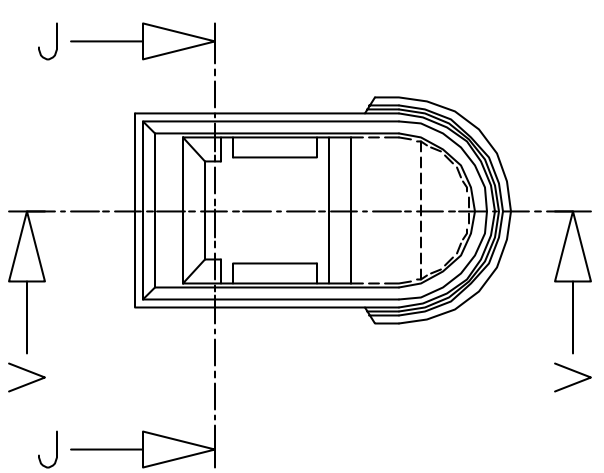
Copyright FCI

Product number
65076-002LF

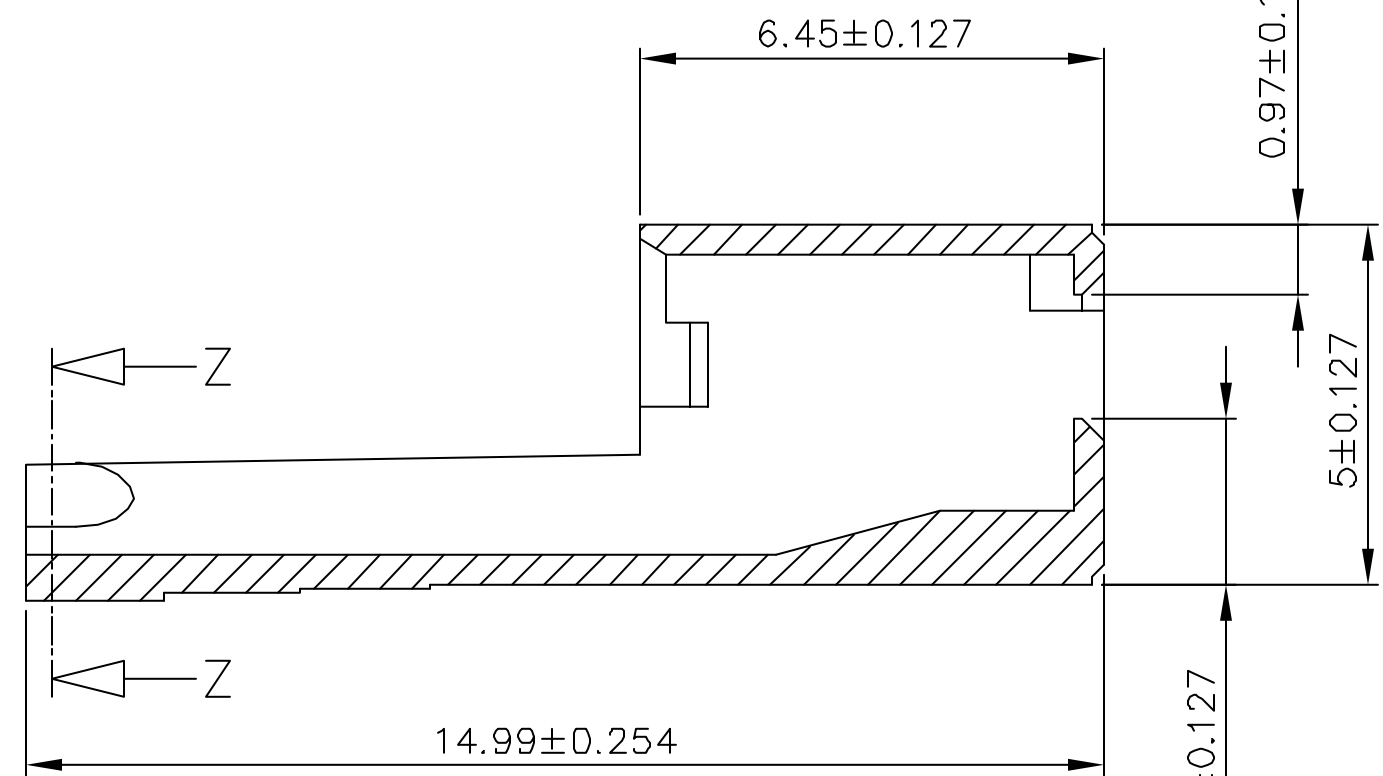
WHEN NEEDED, SUFFIX LETTER "LF"
INDICATES THE PRODUCT IS RoHS
COMPLIANT, SEE NOTES



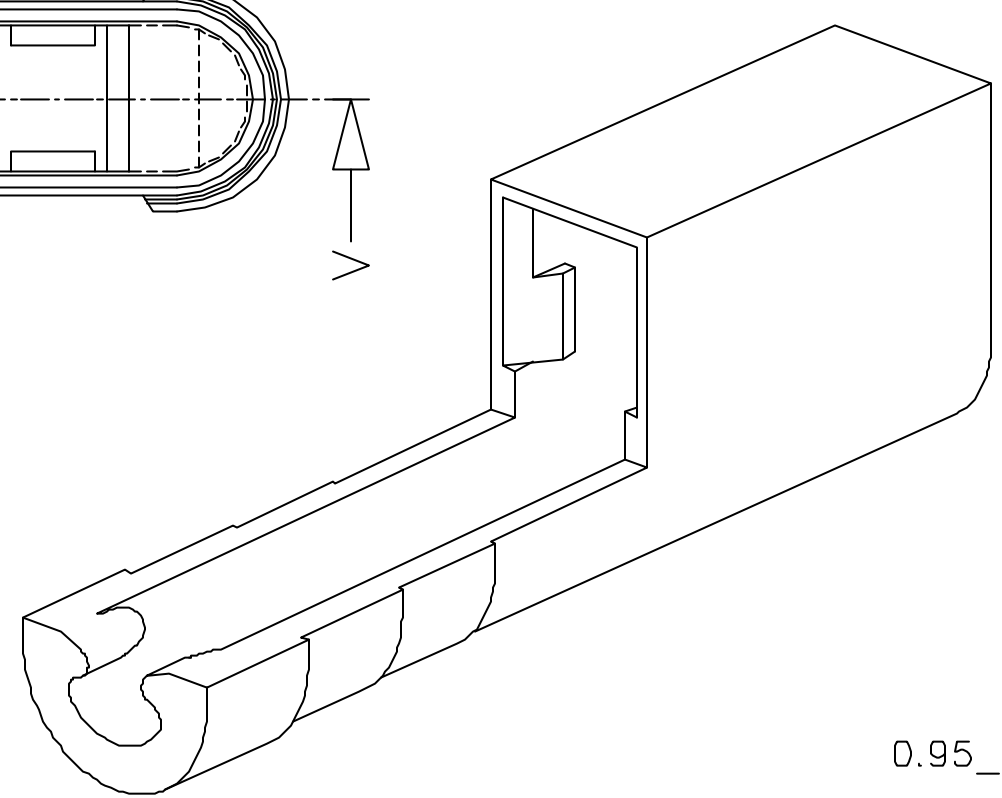
Section J-J



Section V-V



Section Z-Z



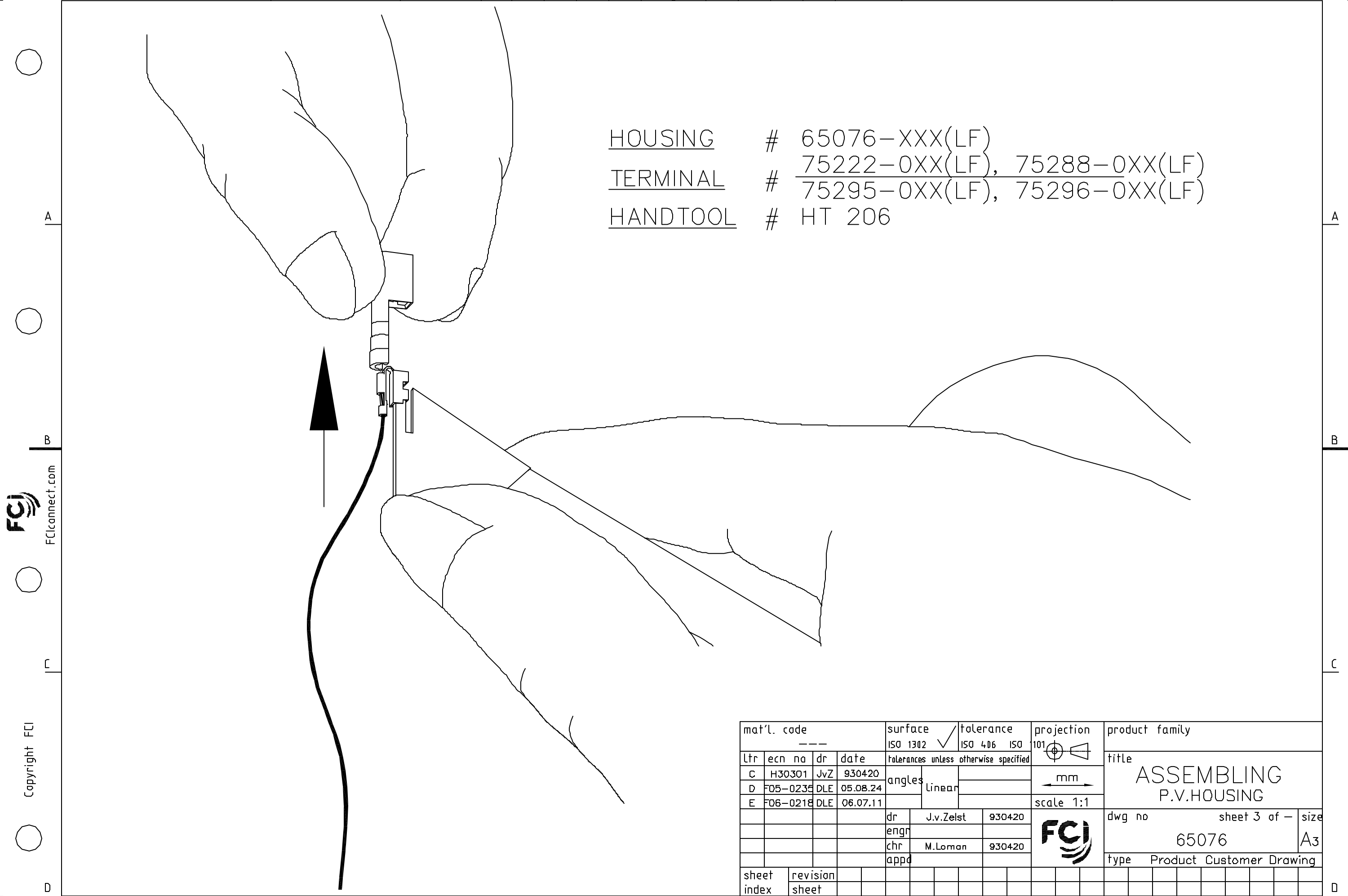
CABLE $\phi 1 \begin{smallmatrix} +0.102 \\ 0 \end{smallmatrix}$

NOTES:
 MATERIAL : POLYPHENYLENE OXYDE, COLOUR : BLACK.
 RoHS COMPATIBLE PRODUCT SPECIFICATIONS
 a - LABELING:
 - MEETS PACKAGING SPECS AS PER GS-14-920
 b - LEGAL STATEMENT: SEE GS-22-008
 THE PRODUCT IS NOT INTENDED TO BE EXPOSED TO A
 MANUFACTURING SOLDER PROCESS.

mat'l. code		surface		tolerance		projection		product family	
SEE NOTE 1.		ISO 1302		ISO 406 ISO 101		mm		JUMBO P.V. HOUSING	
Ltr	ecn no	dr	date	tolerances unless otherwise specified		scale 10:1		title	
E	H30301	JvZ	930420	angles	Linear			JUMBO P.V. HOUSING	
F	F05-0235	DLE	05.08.24					JUMBO P.V. HOUSING	
G	F05-0286	DLE	05.11.07					JUMBO P.V. HOUSING	
H	F06-0218	DLE	06.07.11	dr	J.v.Zelst	930420	dwg no		
				enr	M.Loman	930420	sheet 2 of -		
				chr			size		
				app			A3		
sheet index		revision sheet						type Product Customer Drawing	



Copyright FCJ



HOUSING # 65076-XXX(LF)
TERMINAL # 75222-0XX(LF), 75288-0XX(LF)
HANDTOOL # 75295-0XX(LF), 75296-0XX(LF)
 # HT 206



Copyright FCI

mat'l. code				surface		tolerance		projection		product family	
----				ISO 1302		ISO 406 ISO 101		101		title	
				tolerances unless otherwise specified				mm		ASSEMBLING	
C H30301 JvZ 930420				angles		Linear				P.V.HOUSING	
D F05-0235 DLE 05.08.24								scale 1:1		dwg no	
E F06-0218 DLE 06.07.11										sheet 3 of - size	
				dr J.v.Zelst 930420				FCJ		65076 A3	
				engr						type Product Customer Drawing	
				chr M.Loman 930420							
				appd							
sheet index		revision sheet									